

JOHN DEERE
WORLDWIDE COMMERCIAL & CONSUMER
EQUIPMENT DIVISION

AutoConnect™ Mid-Mount Mower
60D and 72D

OMLVU23071 L9

OPERATOR'S MANUAL



JOHN DEERE

Original Instruction

All information, illustrations and specifications in this manual are based on the latest information at the time of publication. The right is reserved to make changes at any time without notice.

COPYRIGHT© 2009

Deere & Co.

John Deere Worldwide Commercial and Consumer Equipment Division

All rights reserved

Previous Editions

COPYRIGHT©

Export Version

Litho in U.S.A.

INTRODUCTION

Introduction

Using Your Operator's Manual

Read this entire operator's manual, especially the safety information, before operating.

This manual is an important part of your machine. Keep all manuals in a convenient location so they can be accessed easily.

Use the safety and operating information in the attachment operator's manual, along with the machine operator's manual, to operate and service the attachment safely and correctly.

If your attachment manual has a section called Preparing the Machine, it means that you will have to do something to your tractor or vehicle before you can install the attachment. The Assembly and Installation sections of this manual provide information to assemble and install the attachment to your tractor or vehicle. Use the Service section to make any needed adjustments and routine service to your attachment.

If you have any questions or concerns with the assembly, installation, or operation of this attachment, see your local John Deere dealer or call the John Deere Customer Contact Center at 1-800-537-8233 for assistance.

Warranty information on this John Deere attachment can be found in the warranty that came with your John Deere tractor or vehicle.

Machine Use

This machine is designed solely for use in customary lawn mowing operations. Use in any other way is considered as contrary to the intended use.

The manufacturer accepts no liability for damage or injury resulting from this misuse, and these risks must be borne solely by the user. Compliance with and strict adherence to the conditions of operation, service and repair as specified by the manufacturer also constitute essential elements for the intended use.

This machine should be operated, serviced and repaired only by persons familiar with all its particular characteristics and acquainted with the relevant safety rules (accident prevention). The accident prevention regulations, all other generally recognized regulations on safety and occupational medicine and the road traffic regulations must be observed at all times.

Setting fuel delivery beyond published factory specifications or otherwise overpowering will result in loss of warranty protection for this machine.

Any arbitrary modifications carried out on this machine will relieve the manufacturer of all liability for any resulting damage or injury.

Product Identification

Product Compatibility

The 60D and 72D AutoConnect mowers are designed for use with compact utility tractor models: 3120, 3320, 3520 and 3720.

Before operating the mower, the following equipment must be installed on the machine. See your John Deere dealer.

- Mid-PTO Kit
- Mower Lift Kit

Record Identification Numbers

AutoConnect™ Mower

60D Serial No. (010001 -)

72D Serial No. (010001 -)

If you need to contact an Authorized Service Center for information on servicing, always provide the product model and serial number.

You will need to locate the model and serial number for the mower and record the information in the spaces provided below.

DATE OF PURCHASE:

DEALER NAME:

DEALER PHONE:

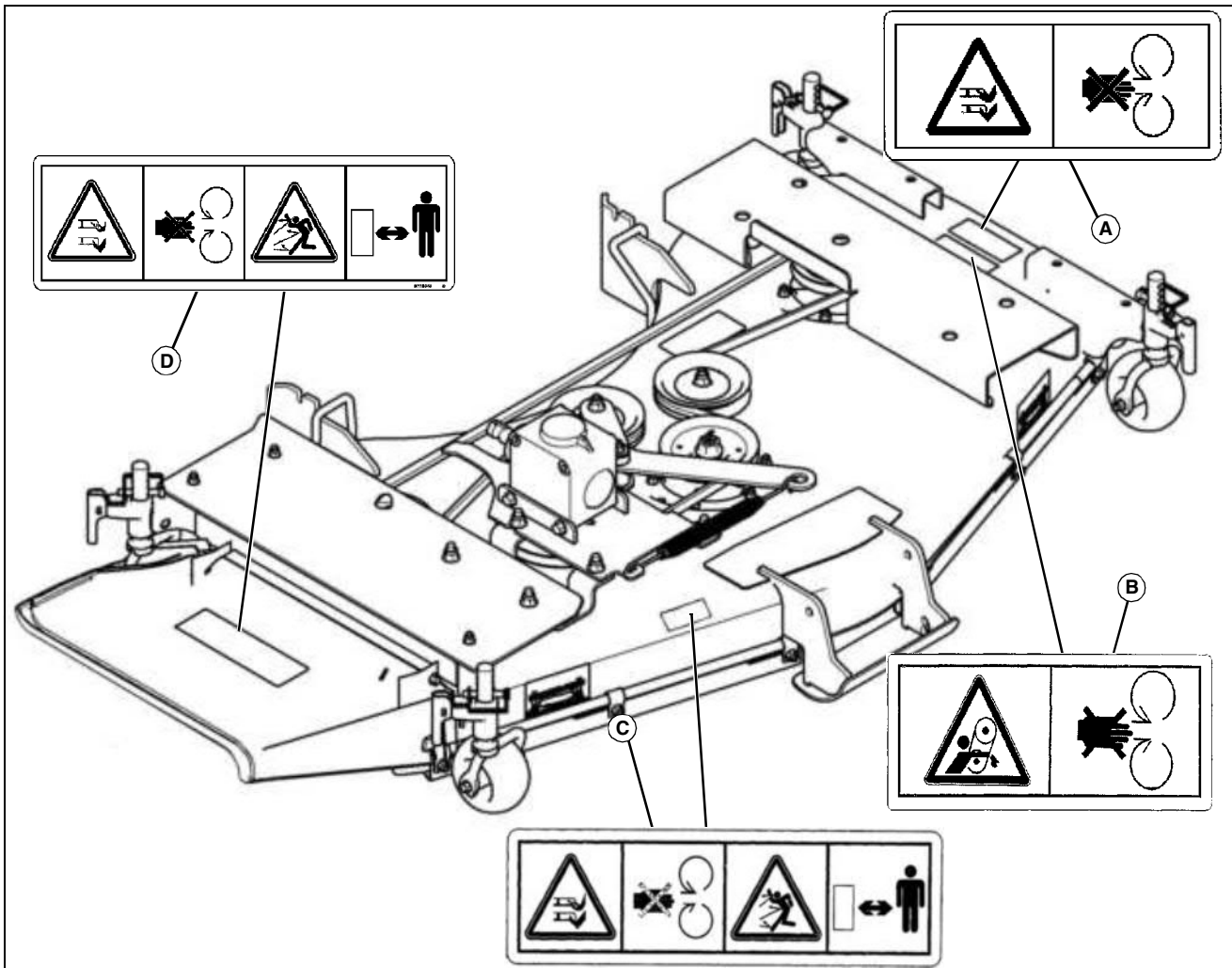
PRODUCT SERIAL NUMBER (A):

SAFETY LABELS

Safety Labels

Safety Label Location

60D Autoconnect Mower



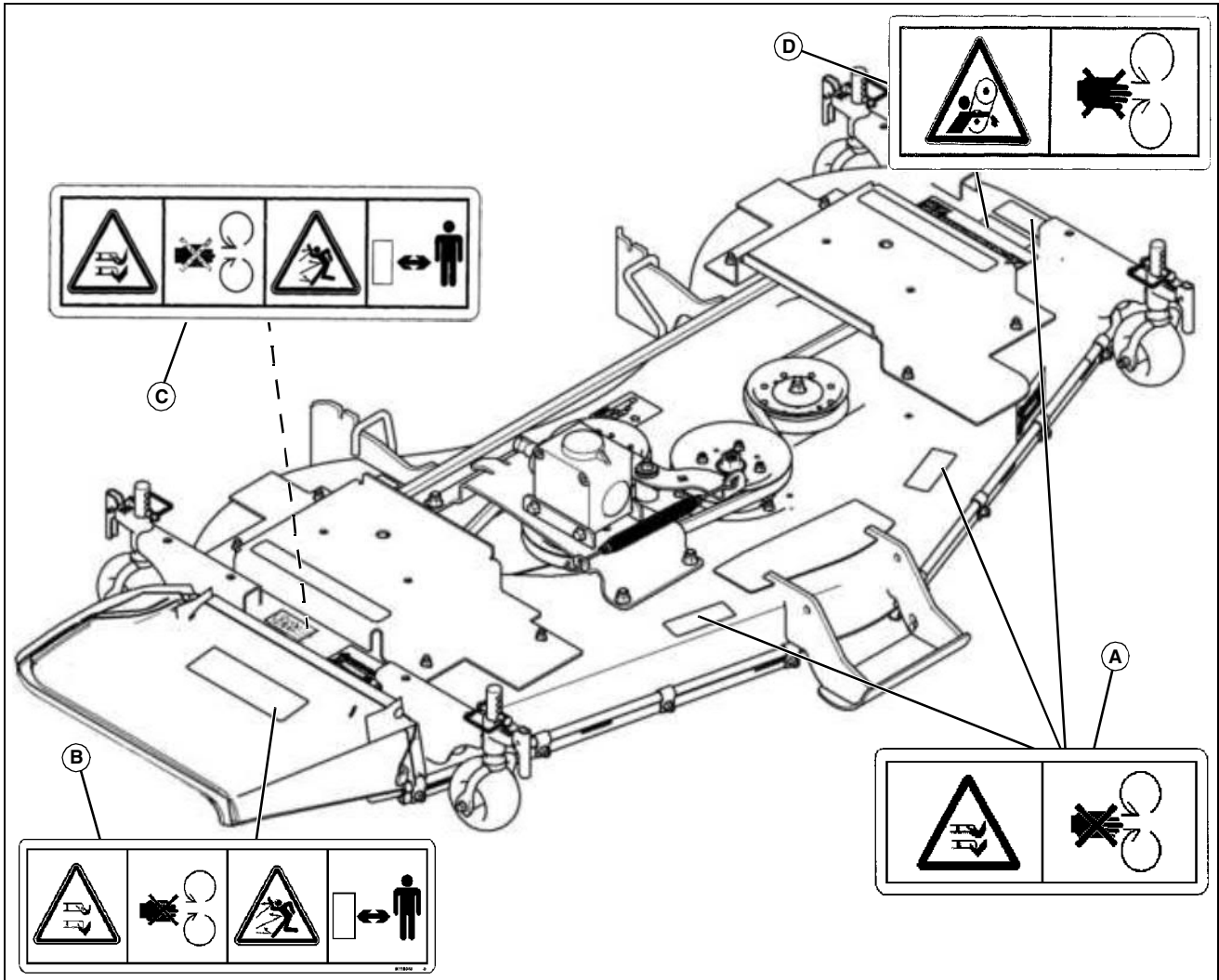
MX40689B, M118040, M118041, M136436, M138631

Picture Note: Use label number listed in table below to locate complete text of safety label message following this illustration.

- A- Danger Blade Contact / Rotating Blade - M118041
- B- Danger Avoid Injury from Rotating Belt - M136436
- C- Danger Rotating Blade and Thrown Objects - M138631
- D- Danger Rotating Blade and Thrown Objects - M118040

SAFETY LABELS

72D Autoconnect Mower

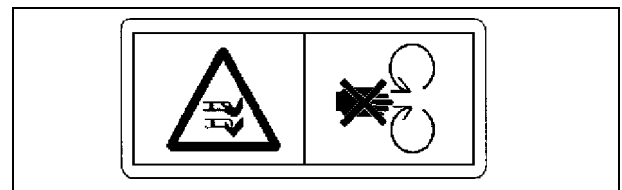


MX40690B, M118040, M118041, M136436, M138631

Picture Note: Use label number listed in table below to locate complete text of safety label message following this illustration.

- A- Danger Blade Contact / Rotating Blade - M118041**
- B- Danger Rotating Blade and Thrown Objects - M138631**
- C- Danger Rotating Blade and Thrown Objects - M118040**
- D- Danger Avoid Injury from Rotating Belt - M136436**

Avoid Injury From Rotating Blades - M118041



M118041

- Do not put hands or feet under or into mower when engine is running.
- Do not operate mower without discharge chute or entire grass catcher in place.



Pictorial Safety Signs

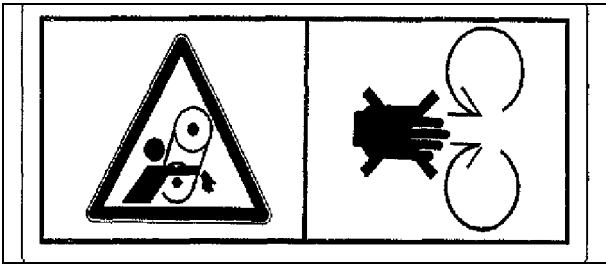
At several important places on this machine safety signs are affixed intended to signify potential danger. The hazard is identified by a pictorial in a warning triangle. An adjacent pictorial provides information how to avoid personal injury.

These safety signs, their placement on the machine and a brief explanatory text are shown in this Safety section.

There can be additional safety information contained on parts and components sourced from suppliers that is not reproduced in this operator's manual.

SAFETY

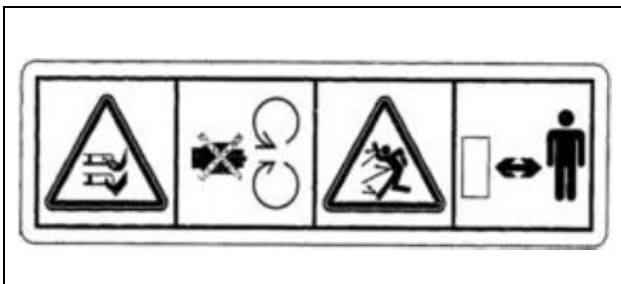
Avoid Injury From Getting Caught in Belt - M136436



M136436

- Stay clear of belts.
- Do not operate mower without shields in place.

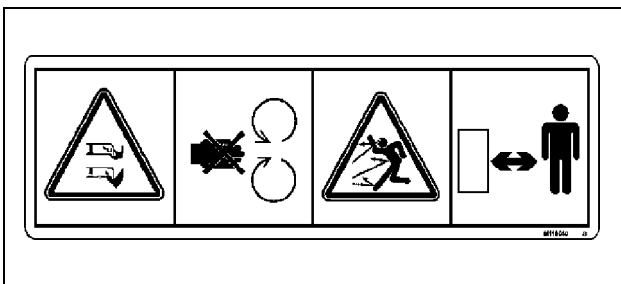
Avoid Injury From Rotating Blades and Thrown Objects - M138631



M138631

- Do not put hands or feet under or into mower when engine is running.
- Do not operate mower without discharge chute or entire grass catcher in place.
- Before mowing, clear area of objects that may be thrown by blade.
- Stay clear while engine is running.

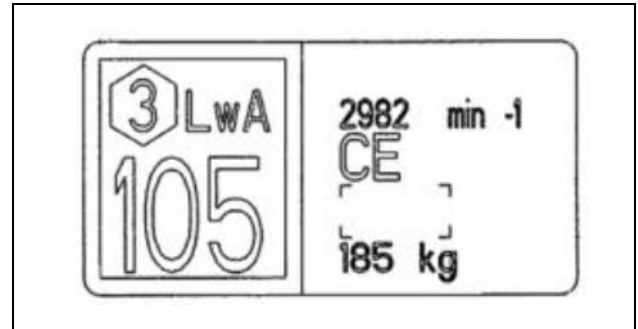
Avoid Injury From Rotating Blades and Thrown Objects - M118040



M118040

- Do not put hands or feet under or into mower when engine is running.
- Do not operate mower without discharge chute or entire grass catcher in place.
- Before mowing, clear area of objects that may be thrown by blade.
- Stay clear while engine is running.

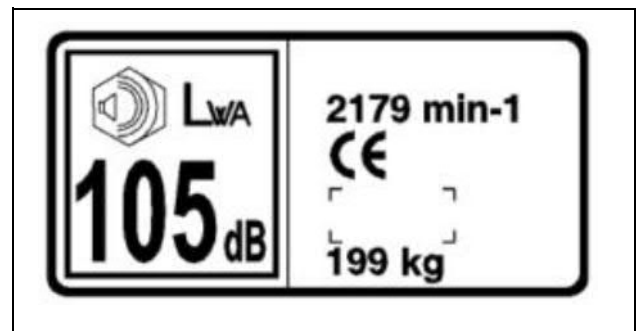
CE Certification and Specification Label - M138561



M138561

- This label on your machine indicates that this model has been certified and is in compliance with European Directive 98/37EEC (89/392EEC) Standards.

CE Certification and Specification Label - LVU17421



LVU17421

- This label on your machine indicates that this model has been certified and is in compliance with European Directive 98/37EEC (89/392EEC) Standards.

Safety

Read Safety in Machine Operator's Manual

Read the general safety operating precautions in your machine operator's manual for additional safety information.

Training

- Read the instructions carefully. Be familiar with the controls and the proper use of the equipment.
- Never allow children or people unfamiliar with these instructions to use the lawnmower. Local regulations can restrict the age of the operator.
- Never mow while people, especially children, or pets are nearby.
- Keep in mind that the operator or user is responsible for accidents or hazards occurring to other people or their property.
- Do not carry passengers.

Preparation

- While mowing, always wear substantial footwear and long trousers. Do not operate the equipment when barefoot or wearing open sandals.
- Thoroughly inspect the area where the equipment is to be used and remove all objects which can be thrown by the machine.

Thank you so much for reading.
Please click the “Buy Now!”
button below to download the
complete manual.



After you pay.

You can download the most
perfect and complete manual in
the world immediately.

Our support email:

ebooklibonline@outlook.com