

**JOHN DEERE**  
**AG & TURF DIVISION**

---

**Blade**

OMM165333 A2

**OPERATOR'S MANUAL**



**JOHN DEERE**

**Original Instruction**

All information, illustrations and specifications in this manual are based on the latest information at the time of publication. The right is reserved to make changes at any time without notice.

COPYRIGHT© 2012  
Deere & Co.

John Deere Ag & Turf Division  
All rights reserved  
Previous Editions  
COPYRIGHT© 2011

Export Version  
Litho in U.S.A.

---

---

# Introduction

---

---

## Table of Contents

Introduction.....	1
Product Identification.....	1
Safety.....	2
Safety Labels.....	4
Safety Labels.....	5
Assembly.....	6
Preparing Vehicle.....	9
Installing.....	10
Removing and Storage.....	11
Operating.....	12
Service.....	14
Troubleshooting.....	17
Specifications.....	17
Getting Quality Service.....	17
Declaration of Conformity.....	18

---

---

## Introduction

### Using Your Operator's Manual

Read this entire operator's manual, especially the safety information, before operating.

This manual is an important part of your machine. Keep all manuals in a convenient location so they can be accessed easily.

Use the safety and operating information in the attachment operator's manual, along with the machine operator's manual, to operate and service the attachment safely and correctly.

If your attachment manual has a section called Preparing the Machine, it means that you will have to do something to your tractor or vehicle before you can install the attachment. The Assembly and Installation sections of this manual provide information to assemble and install the attachment to your tractor or vehicle. Use the Service section to make any needed adjustments and routine service to your attachment.

If you have any questions or concerns with the assembly, installation, or operation of this attachment, see your local John Deere dealer or call the John Deere Customer Contact Center at 1-800-537-8233 for assistance.

Warranty information on this John Deere attachment can be found in the warranty that came with your John Deere tractor or vehicle.

### Machine Use

This machine is designed solely for use in customary snow or debris moving or similar operation. Use in any other way is considered as contrary to the intended use.

The manufacturer accepts no liability for damage or injury resulting from this misuse, and these risks must be borne solely by the user. Compliance with and strict adherence to the conditions of operation, service and repair as specified by the manufacturer also constitute essential elements for the intended use.

This machine should be operated, serviced and repaired only by persons familiar with all its particular characteristics and acquainted with the relevant safety rules (accident prevention). The accident prevention regulations, all other generally recognized regulations on safety and occupational medicine and the road traffic regulations must be observed at all times.

Setting fuel delivery beyond published factory specifications or otherwise overpowering will result in loss of warranty protection for this machine.

Any arbitrary modifications carried out on this machine will relieve the manufacturer of all liability for any resulting damage or injury.

---

---

## Product Identification

### Product Compatibility

This attachment is compatible with John Deere Gator™ Utility Vehicles.

Contact your John Deere dealer for specific utility vehicle compatibility information.

### Record Purchase Information

Record your purchase information in the spaces provided below.

DATE OF PURCHASE:

\_\_\_\_\_  
DEALER NAME:

\_\_\_\_\_  
DEALER PHONE:

# Safety

---

## Safety

### Read Safety in Machine Operator's Manual

Read the general safety operating precautions in your machine operator's manual for additional safety information.

### Operating Safely

- This attachment is intended for light duty moving of snow or other light, loose material and is not intended for digging or grading. Do not misuse this equipment.
- Do not exceed operating speed of 16 km/h (10 mph) when moving material with this attachment.
- Read, understand and follow all instructions in the manual and on the vehicle and attachment before operating.
- Only allow responsible adults who are familiar with the instructions to operate the machine.
- Inspect machine and attachment before you operate. Be sure hardware is tight. Repair or replace damaged, badly worn or missing parts. Be sure guards and shields are in good condition and fastened in place. Make any necessary adjustments before you operate.
- Check brake action before you operate. Adjust or service brakes as necessary.
- Stop machine if anyone enters the area.
- If you hit an object, stop and inspect the machine. Make repairs before you operate. Keep machine and attachments properly maintained and in good working order.
- Before operating, make sure all connections are tight and blade responds properly to controls. Check all connections periodically for tightness.
- Do not leave machine unattended when it is running.
- Only operate during daylight or with good artificial light.
- Be careful of traffic when operating near or crossing roadways.
- Do not wear radio or music headphones while operating the machine. Safe operation requires your full attention.
- Transport the blade with it raised to the highest position, it should be centered and not at an angle.
- Be aware of the position of the blade ends. Blade makes a wide arc when turning.
- Be aware of the possibility of objects hidden under the snow. Avoid holes, rocks, roots and other obstructions.
- Avoid the edges of ditches and banks to reduce the possibility of loss of control.
- When plowing material into a pile, travel in reverse before raising blade.
- Do not ram into a pile of material; slow down before contact is made.
- Lower attachment completely before leaving operator's seat.
- Lower any attachment completely to the ground or to an existing attachment mechanical stop before servicing the attachment. Disengage all power and stop the engine. Lock park brake and remove the key.
- Keep all parts in good condition and properly installed. Fix damage immediately. Replace worn or broken parts. Replace all worn or damaged safety and instruction decals.

### Parking Safely

1. Stop machine on a level surface, not on a slope.

2. Lower attachments to the ground.
3. Lock the park brake.
4. Stop the engine.
5. Remove the key.
6. Wait for engine and all moving parts to stop before you leave the operator's seat.
7. Close fuel shut-off valve, if your machine is equipped.
8. Disconnect the negative battery cable or remove the spark plug wire (for gasoline engines) before servicing the machine.

### Checking Area to be Cleared

- Thoroughly inspect the area where the equipment is to be used and remove all doormats, sleds, boards, wires and other foreign objects.
- Keep people and pets out of the work area. Keep children indoors when using blade. Turn the machine off if anyone enters the area.
- Be extremely careful if you must clear snow from a gravel surface. Adjust the blade height to clear a gravel surface.

### Avoid Injury From Hitting Obstructions

- Raise and center, not angle, attachment when you drive between jobs.
- Slow down when you remove snow. Be cautious on slopes, when you make turns or when close to buildings or trees.

### Practice Safe Maintenance

- Only qualified, trained adults should service this machine.
- Understand service procedure before doing work. Keep area clean and dry.
- Do not operate the engine in a confined space where dangerous carbon monoxide fumes can collect.
- Never lubricate, service or adjust the machine or attachment while it is moving. Keep safety devices in place and in working condition. Keep hardware tight.
- Keep hands, feet, clothing, jewelry, and long hair away from any moving parts, to prevent them from getting caught.
- Lower any attachment completely to the ground or to an existing attachment mechanical stop before servicing the attachment. Disengage all power and stop the engine. Lock park brake and remove the key. Let machine cool.
- Disconnect battery or remove spark plug wire (for gasoline engines) before making any repairs.
- Before servicing machine or attachment, carefully release pressure from any components with stored energy, such as hydraulic components and springs.
- Release hydraulic pressure by lowering attachment or cutting units to the ground or to a mechanical stop and move hydraulic control levers.
- Securely support any machine or attachment elements that must be raised for service work. Use jack stands or lock service latches to support components when needed.
- Never run engine unless park brake is locked.
- Keep all parts in good condition and properly installed. Fix damage immediately. Replace worn or broken parts. Replace all worn or damaged safety and instruction decals.
- Check all hardware at frequent intervals to be sure the equipment is in safe working condition.

# Safety

---

- Do not modify machine or safety devices. Unauthorized modifications to the machine or attachment may impair its function and safety.

## Handling Waste Product and Chemicals

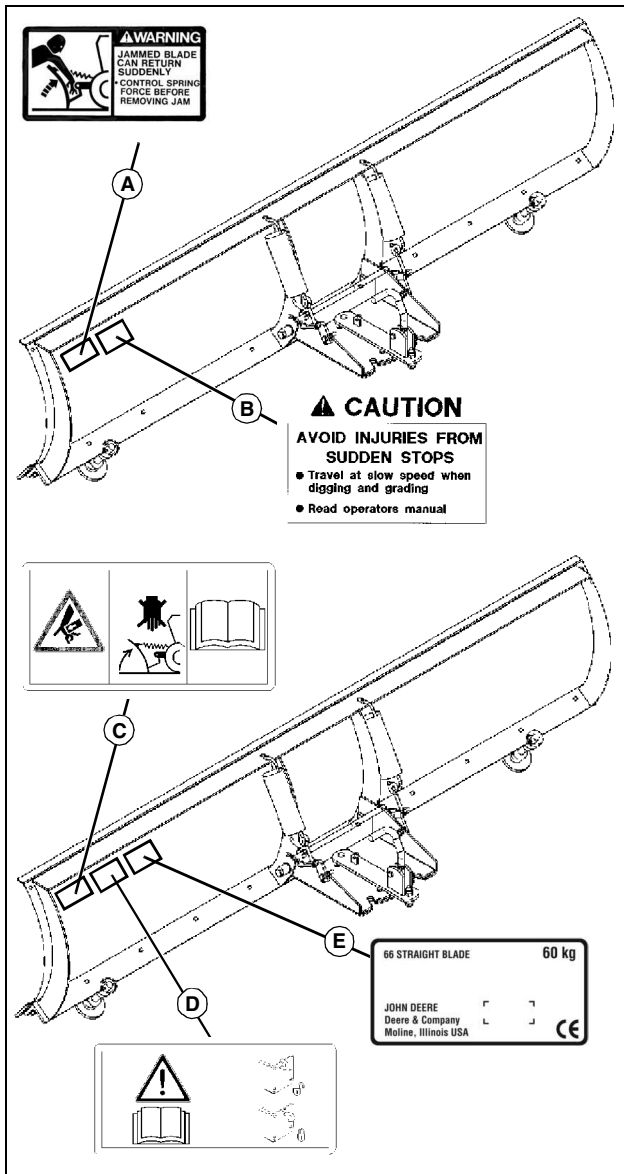
Waste products, such as, used oil, fuel, coolant, brake fluid, and batteries, can harm the environment and people:

- Do not use beverage containers for waste fluids - someone may drink from them.
- See your local Recycling Center or authorized dealer to learn how to recycle or get rid of waste products.
- A Material Safety Data Sheet (MSDS) provides specific details on chemical products: physical and health hazards, safety procedures, and emergency response techniques. The seller of the chemical products used with your machine is responsible for providing the MSDS for that product.

# Safety Labels

## Safety Labels

### Safety Label Location



MX51034

Picture Note: Use label number listed in table below to locate complete text of safety label message following this illustration.

- A- Warning - M119672
- B- Caution - M123368
- C- Warning - M122278
- D- Caution - M126759
- E- CE Label- M167088

Thank you so much for reading.  
Please click the “Buy Now!”  
button below to download the  
complete manual.



After you pay.

You can download the most  
perfect and complete manual in  
the world immediately.

Our support email:

[ebooklibonline@outlook.com](mailto:ebooklibonline@outlook.com)