

**JOHN DEERE**  
**AG & TURF DIVISION**

---

**Turf Collection System**  
**TC125**

OMTCU30922 A2

**OPERATOR'S MANUAL**



**JOHN DEERE**

**Original Instruction**

All information, illustrations and specifications in this manual are based on the latest information at the time of publication. The right is reserved to make changes at any time without notice.

COPYRIGHT© 2011  
Deere & Co.

John Deere Ag & Turf Division  
All rights reserved  
Previous Editions  
COPYRIGHT©

North American Version  
Litho in U.S.A.

---

---

# Introduction

---

---

## Table of Contents

|                              |    |
|------------------------------|----|
| Introduction.....            | 1  |
| Product Identification.....  | 1  |
| Safety Labels.....           | 3  |
| Safety Labels.....           | 5  |
| Safety.....                  | 7  |
| Assembly.....                | 8  |
| Preparing Vehicle.....       | 16 |
| Installing.....              | 16 |
| Removing and Storing.....    | 18 |
| Operating.....               | 21 |
| Service Intervals.....       | 25 |
| Service.....                 | 26 |
| Troubleshooting.....         | 32 |
| Specifications.....          | 32 |
| Getting Quality Service..... | 33 |

---

---

## Introduction

### Using Your Operator's Manual

Read this entire operator's manual, especially the safety information, before operating.

This manual is an important part of your machine. Keep all manuals in a convenient location so they can be accessed easily.

Use the safety and operating information in the attachment operator's manual, along with the machine operator's manual, to operate and service the attachment safely and correctly.

If your attachment manual has a section called Preparing the Machine, it means that you will have to do something to your tractor or vehicle before you can install the attachment. The Assembly and Installation sections of this manual provide information to assemble and install the attachment to your tractor or vehicle. Use the Service section to make any needed adjustments and routine service to your attachment.

If you have any questions or concerns with the assembly, installation, or operation of this attachment, see your local John Deere dealer or call the John Deere Customer Contact Center at 1-800-537-8233 for assistance.

Warranty information on this John Deere attachment can be found in the warranty that came with your John Deere tractor or vehicle.

---

---

## Product Identification

### Product Compatibility

**NOTE: A model-specific Bracket Kit is recommended to keep Compact Utility Tractor Select Control Valve (SCV) lever in operating position. Additional hydraulic fittings may be required for certain tractor SCV configurations.**

The TC125 Turf Collection System is designed for use with John Deere Compact Utility Tractors and ProGator™ Utility Vehicles.

See your John Deere dealer for specific machine model compatibility.

### Record Identification Numbers

Turf Collection System

TC125 Serial No. (080001 - )

If you need to contact an Authorized Service Center for information on servicing, always provide the product model and serial number.

You will need to locate the model and serial number for the machine and for the engine of your machine and record the information in the spaces provided below.

DATE OF PURCHASE:

\_\_\_\_\_  
DEALER NAME:

\_\_\_\_\_  
DEALER PHONE:

# Product Identification

---



MX0015

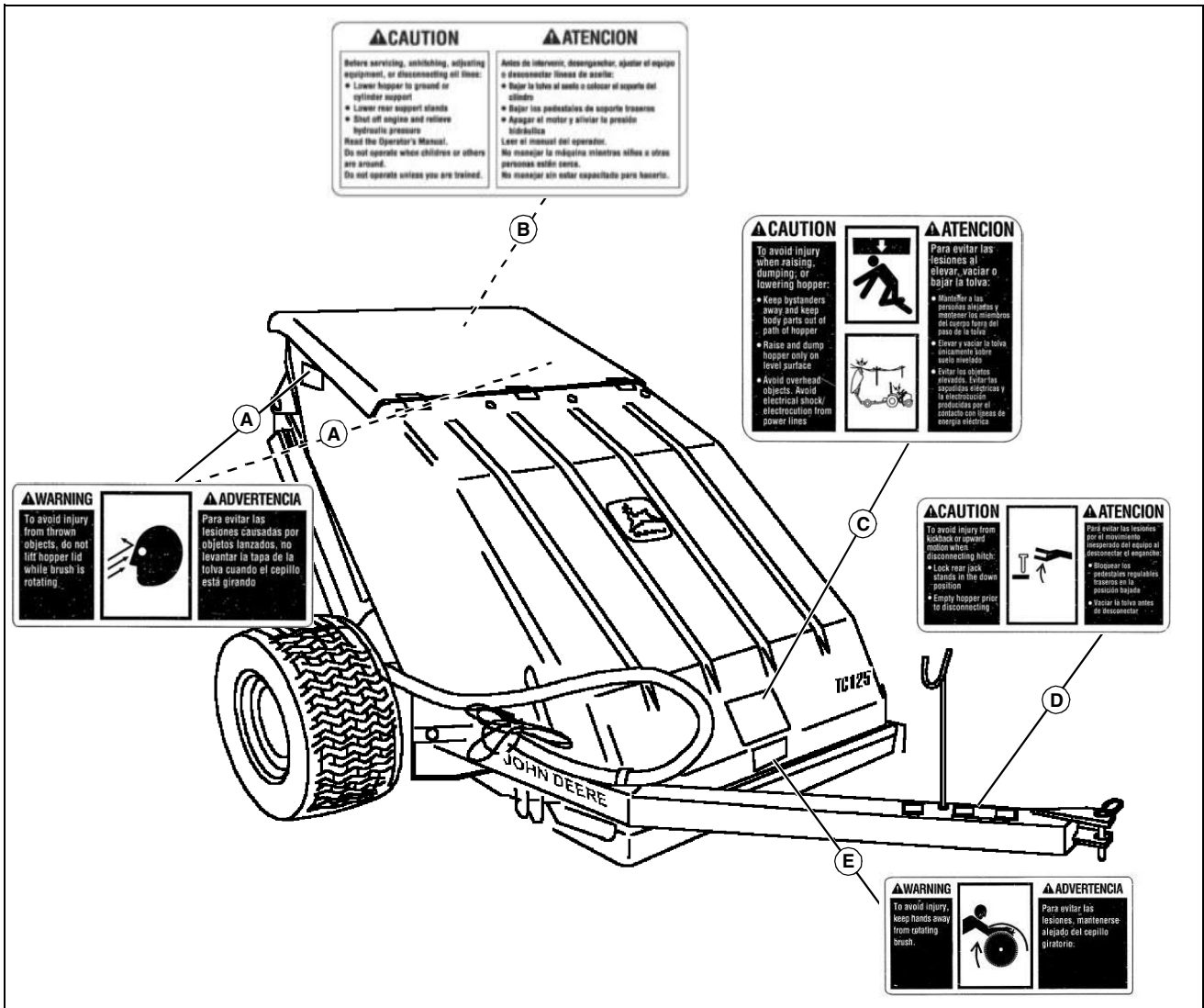
SERIAL NUMBER (A):

---

# Safety Labels

## Safety Label Location

### Safety Labels



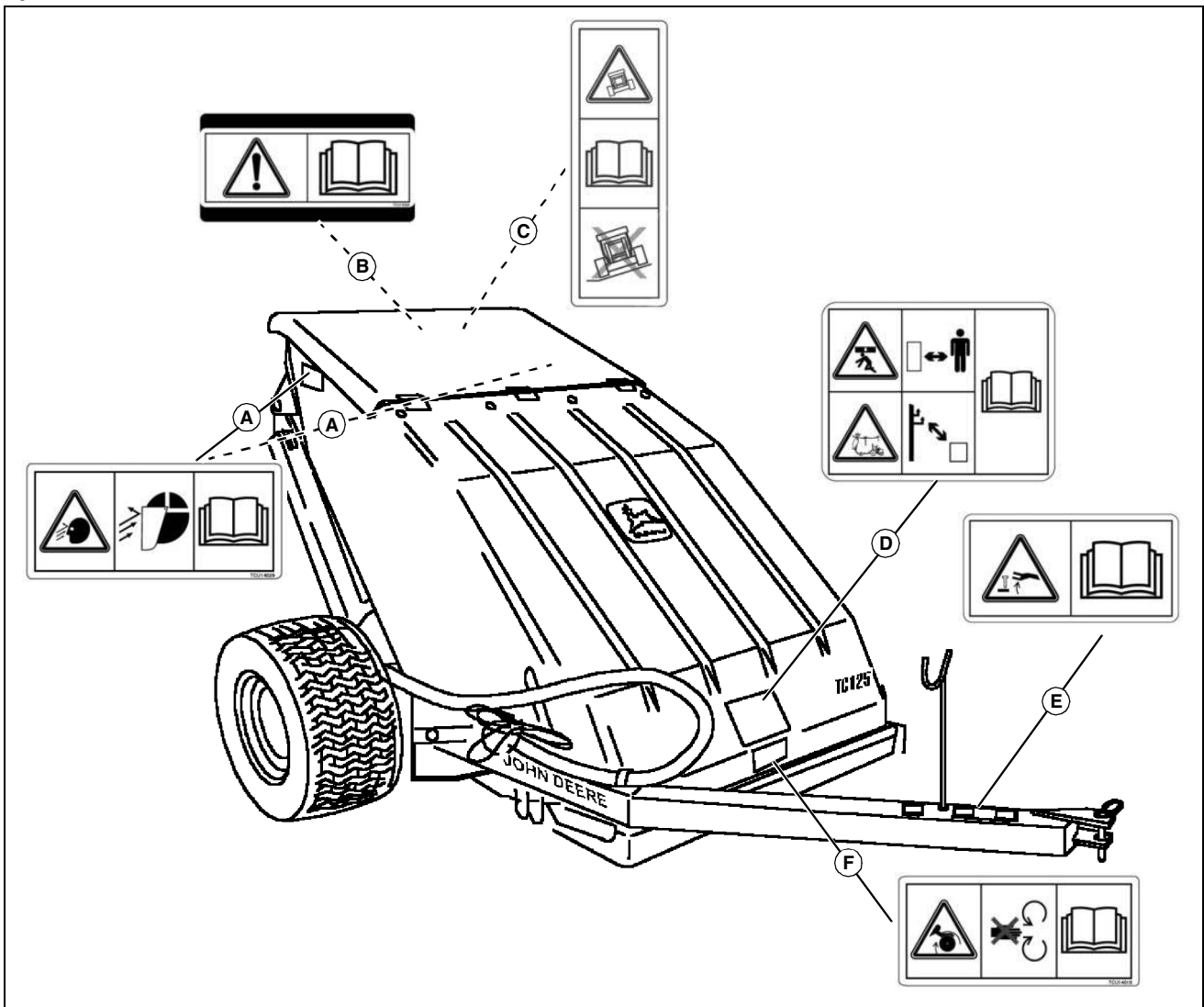
MX3670

Picture Note: View complete text of safety label message following this illustration.

- A- WARNING - TCU51353
- B- CAUTION - TCU31495
- C- CAUTION - TCU51357
- D- CAUTION - TCU51355
- E- WARNING - TCU51354

# Safety Labels

## Safety Label Location



MX3670

Picture Note: Pictorial labels are required for certain parts of the world. Your machine may not be equipped with these labels. View complete text of safety label message following this illustration.

A- WARNING - TCU14029

B- CAUTION - TCU14030

C- CAUTION - EU Regions TCU14032 / Non-EU Regions TCU31407

D- CAUTION - TCU14028

E- CAUTION - TCU14027

F- WARNING - TCU14018

Thank you so much for reading.  
Please click the “Buy Now!”  
button below to download the  
complete manual.



After you pay.

You can download the most  
perfect and complete manual in  
the world immediately.

Our support email:

[ebooklibonline@outlook.com](mailto:ebooklibonline@outlook.com)