

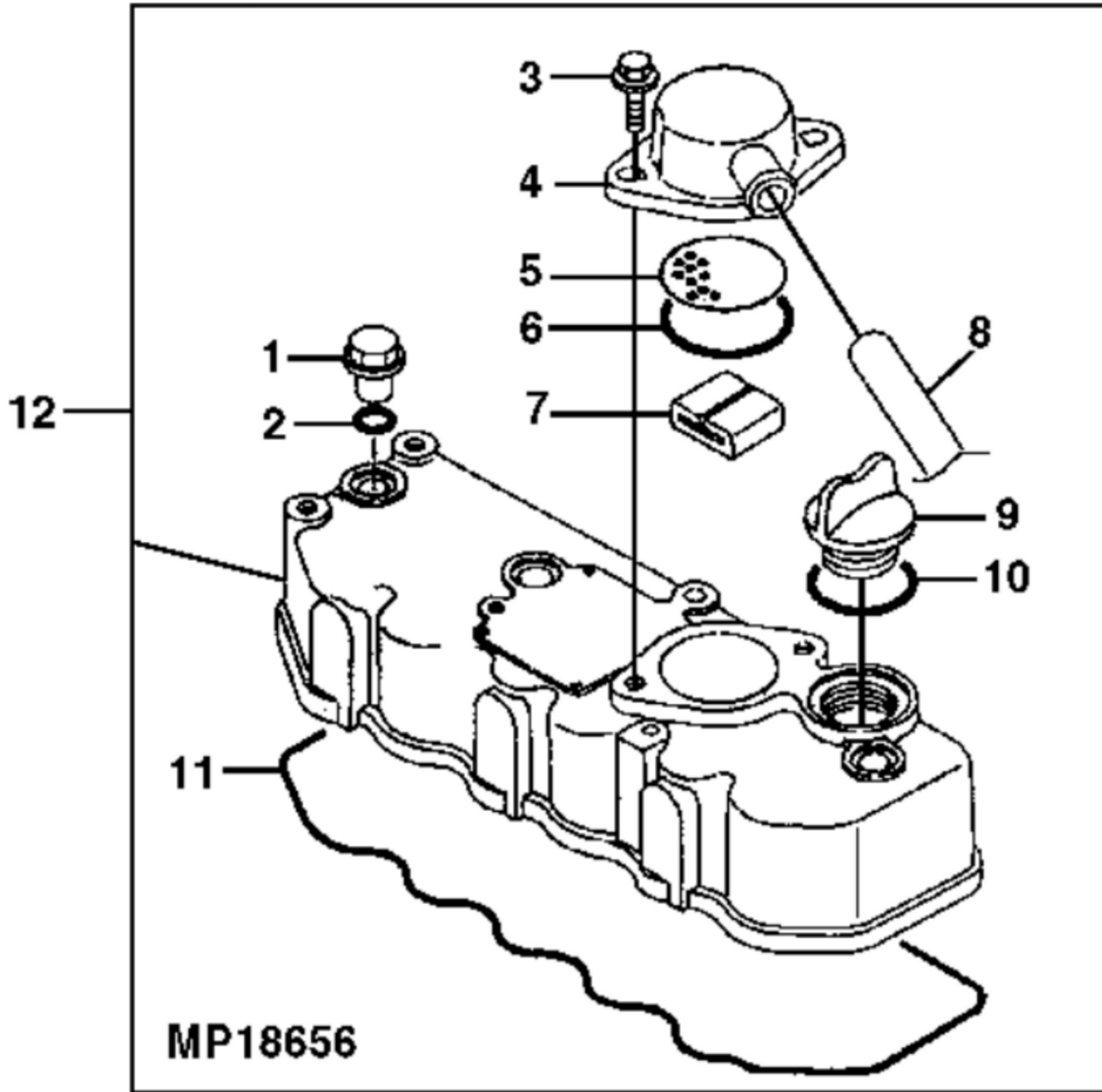
MP18654

KEY	PART NO.	PART NAME	QTY	REMARKS
1	M801186	BOLT	14	
2	M806440	ENGINE CYLINDER HEAD GASKET	1	
3	AM878597	CYLINDER BLOCK	1	
4	CH10335	PLUG	3	
5	PT13744	PLUG	1	(ENGINE MARKED 3TNE84-JT43)
5	EPC200680	PLUG	1	(ENGINE MARKED 3TNE84-EJTS)
6	M802255	PIN	4	
7	M806840	PLUG	1	
8	CH18079	SPRING PIN	2	
9	30M7023	PLUG	6	
10	15H562	PIPE PLUG	1	1"
11	M800977	BUSHING	1	CAMSHAFT
12	M800978	SHAFT	1	IDLER
13	CH19101	BOLT	2	
14	M87801	PLUG	2	
15	M800974	PIPE	2	
16	MIA880555	BEARING	2	THRUST, (SUB FOR AM875373)
17	AM875371	BEARING KIT	4	MAIN, STD
17	MIA880550	BEARING	4	.25MM (.010") US, MAIN, (SUB FOR AM875374)
18	BEARING CAP	3	
19	M801189	BOLT	8	
20	BEARING CAP	1	
21	LVU10331	SHIELD	1	AIRDAM, RH
21	LVU10270	SHIELD	1	AIRDAM, RH (EXPORT) (SUB FOR M130310)
22	LVU10334	SHIELD	1	AIRDAM, LH
22	M130311	SHIELD	1	AIRDAM, LH (EXPORT)
23	19M7783	BOLT	1	
24	19M7864	BOLT	2	
25	19M7866	BOLT	1	
26	19M7783	BOLT	1	
27	14M7298	FLANGE NUT	1	M8
..	ENGINE	1	(MARKED 3TNE84-JT43) (SUB AM880675)
..	ENGINE	1	(MARKED 3TNE84-EJT) (SUB AM880675)
..	AM129997	ENGINE	1	(MARKED 3TNE84-EJTS) (SUB AM880675)
..	AM880675	SHORT BLOCK ASSEMBLY	1	

KEY	PART NO.	PART NAME	QTY	REMARKS	
..	LVU10364	SEAL	1	AIRDAM SHIELD, RH	
..	LVU10367	ISOLATOR	1	AIRDAM SHIELD, LH	
..	LVU10366	ISOLATOR	1	AIRDAM SHIELD, BOTTOM	

ARMS

KEY	PART NO.	PART NAME	QTY	REMARKS
1	M801024	STUD	3	
2	19M7800	BOLT	6	
3	M801028	NUT	1	
4	M801027	SCREW	1	
5	ROCKER ARM	1	
6	AM875383	ROCKER ARM	6	
7	M801022	SUPPORT	2	ROCKER ARM
8	M801023	SUPPORT	2	ROCKER ARM
9	M801025	SPRING	3	
10	19M7867	BOLT	2	
11	M800002	PLUG	2	
12	ROCKER ARM SHAFT	1	
13	AM875534	SHAFT	1	SUPPORT
14	M801224	CAP	6	
15	AM878862	RETAINER KIT	3	(2 PER PKG), VALVE
16	M801223	RETAINER	6	SPRING
17	M801222	SPRING	6	VALVE
18	T110650	SEAL	3	EXHAUST VALVE
19	CH10450	SEAL	3	INTAKE VALVE
20	M801227	GUIDE	3	INTAKE VALVE
21	M801228	GUIDE	3	EXHAUST VALVE
22	CH16751	PLUG	2	
23	AM878547	CYLINDER HEAD	1	(ENGINE MARKED 3TNE84-JT43)
23	AM880362	CYLINDER HEAD	1	(ENGINE MARKED 3TNE84-EJTS)
24	M801220	INTAKE VALVE	3	
25	MIU800494	EXHAUST VALVE	3	(SUB FOR M801221 OR M811796)
26	M801219	STUD	6	
27	M801017	VALVE SEAT	3	
28	M801016	SEAL	3	(SUB FOR M810460 OR M806732)
29	M801018	RETAINER	3	
30	CH18079	SPRING PIN	2	
31	14M7303	FLANGE NUT	6	M6
32	AT211695	LIFT ARM	2	
33	19M7865	BOLT	4	



KEY	PART NO.	PART NAME	QTY	REMARKS	
1	CH10348	NUT	3		
2	CH10568	PACKING	3		
3	19M7865	BOLT	2		
4	M801031	CAP	1		
5	M801033	PLATE	1		
6	M801034	O-RING	1		
7	M801032	DEFLECTOR	1		
8	M804268	HOSE	1	BREATHER	
9	M805710	CAP	1		
10	M805711	PACKING	1		
11	M801741	GASKET	1		
12	AT110858	VALVE COVER	1		

Thank you so much for reading.
Please click the “Buy Now!”
button below to download the
complete manual.



After you pay.

You can download the most
perfect and complete manual in
the world immediately.

Our support email:

ebooklibonline@outlook.com