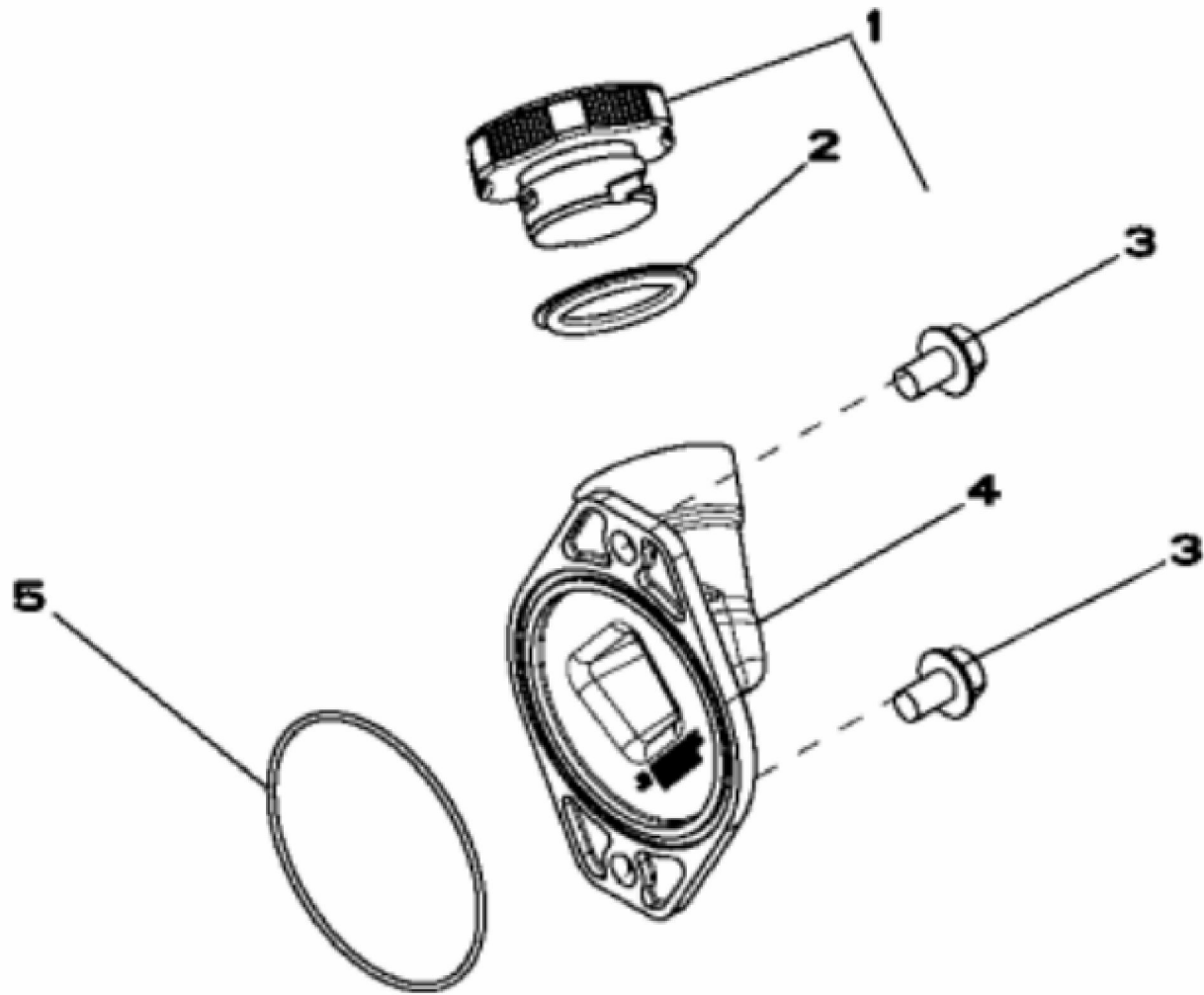


RE533043PCDA01

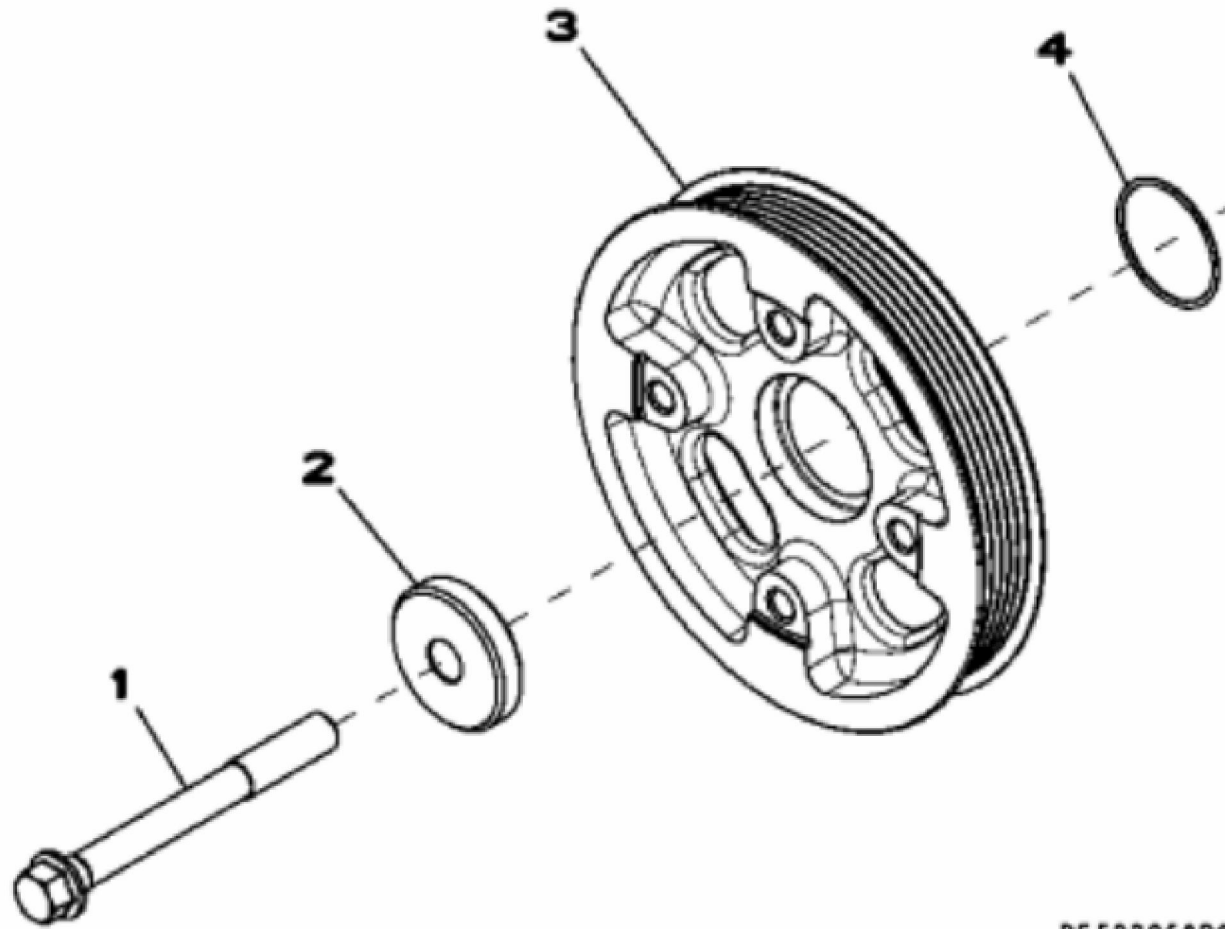
John Deere > Turf And Utility >TRACTOR >5075M - TRACTOR >5075M Tractor (Engine 5030HLV11)(IT4)(North America Edition) >23 ENGINE 5030HLV11-RE558558 >ST299045 - 1115 ROCKER ARM COVER

KEY	PART NO.	PART NAME	QTY	REMARKS	
1	RE517080	SCREW	9		
2	R26287	O-RING	9		
3	19M7833	SCREW	1	M6 X 35	
4	R524818	ISOLATOR	1		
5	37M7089	SCREW	2	M6 X 12	
6	R525212	VALVE COVER	1		
7	R515057	FILLER CAP	1		
8	R522672	GASKET	1		



RE531337PCDB01

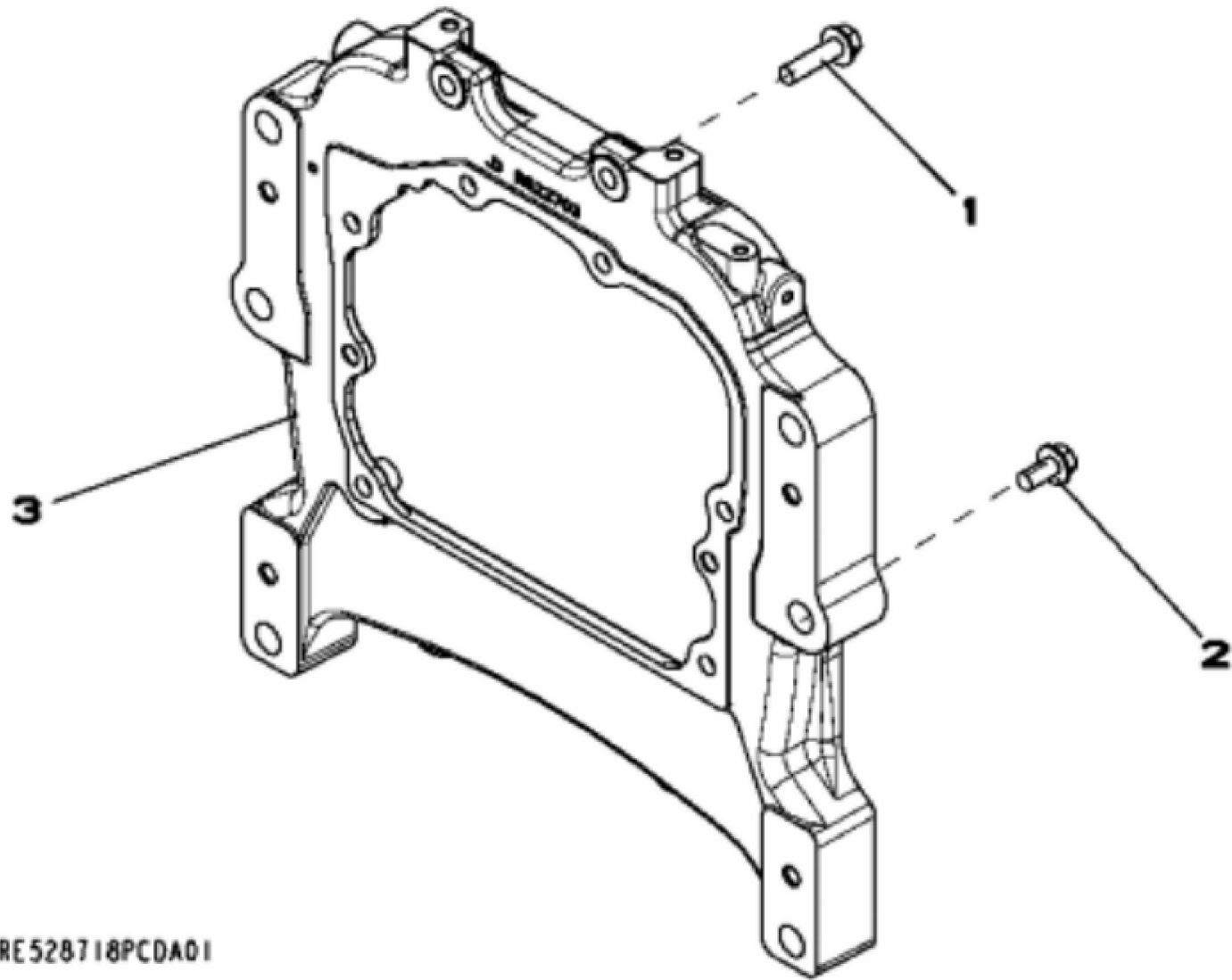
KEY	PART NO.	PART NAME	QTY	REMARKS	
1	RE535560	FILLER CAP	1	SUB FOR RE500005	
2	R502902	PACKING	1		
3	19M7787	SCREW	2	M12 X 20	
4	RE529865	FUNNEL	1		
5	T20758	O-RING	1		



RE522859PC0A04

John Deere > Turf And Utility >TRACTOR >5075M - TRACTOR >5075M Tractor (Engine 5030HLV11)(IT4)(North America Edition) >23 ENGINE 5030HLV11-RE558558 >ST435747 - 1303 CRANKSHAFT PULLEY

KEY	PART NO.	PART NAME	QTY	REMARKS	
1	R504680	CAP SCREW	1	M12 X 110MM	
2	R502885	BUSHING	1	ID 13MM	
3	.....	PULLEY	1	ORDER RE523315; ALSO ORDER AR67942	
4	T143324	O-RING	1		



RE528718PCDA01

Thank you so much for reading.  
Please click the “Buy Now!”  
button below to download the  
complete manual.



After you pay.

You can download the most  
perfect and complete manual in  
the world immediately.

Our support email:

[ebooklibonline@outlook.com](mailto:ebooklibonline@outlook.com)