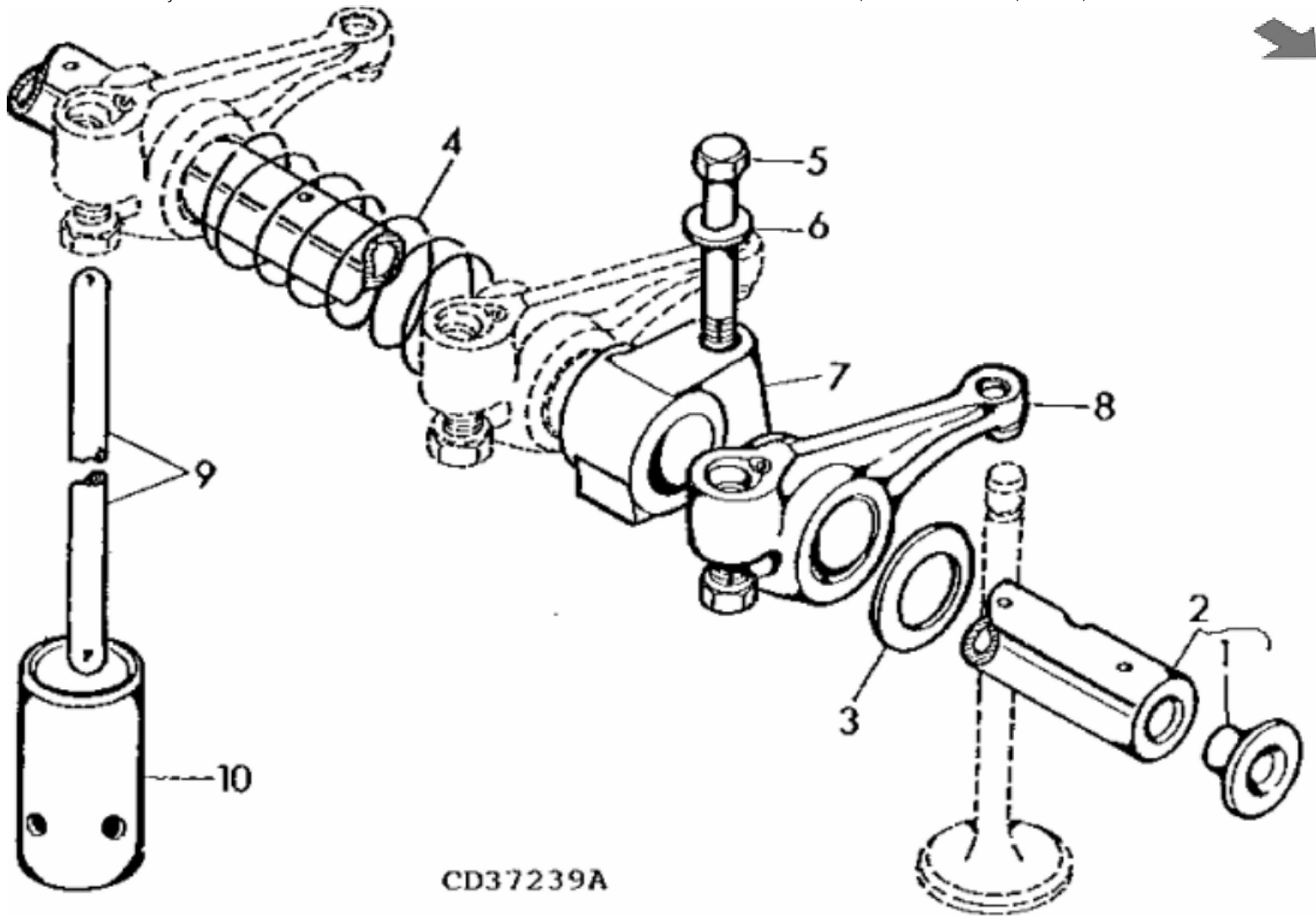


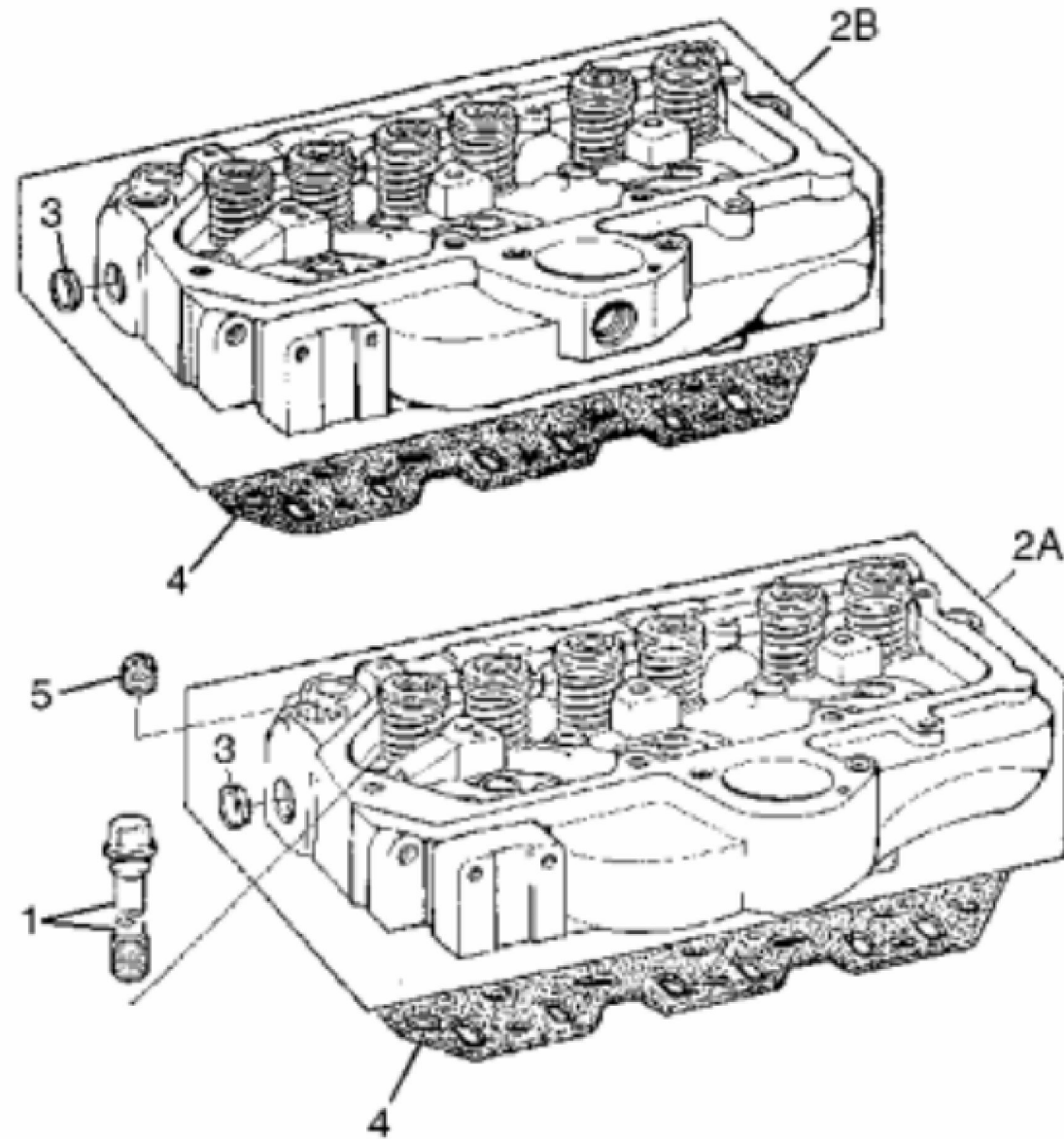
JOHN DEERE
RGP8944

KEY	PART NO.	PART NAME	QTY	REMARKS	
1	R130942	MEDALLION	1		
2	RE32140	SCREW WITH WASHER	6		
3	RE44202	VALVE COVER	1		
4	R106796	O-RING	1	(CUT TO LENGTH)	



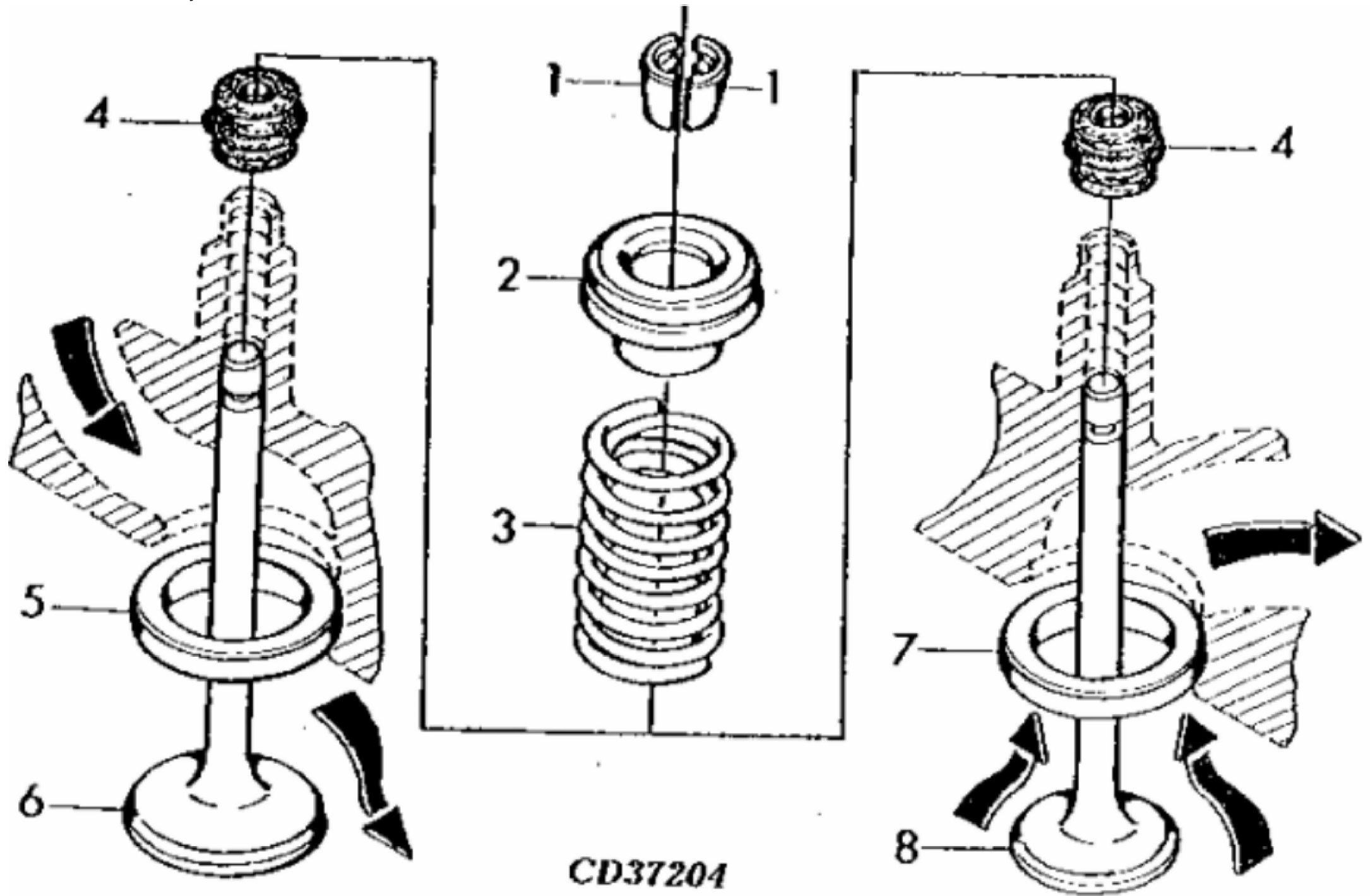
CD37239A

KEY	PART NO.	PART NAME	QTY	Engine Serial No.	REMARKS
1	R54565	PLUG	2		
2	RE502875	ROCKER ARM SHAFT	1		NLA (SUB FOR DD12119) (SUB RE508317, THIS APPLICATION AND (6) R515095)
3	T20316	WASHER	2		
4	T20314	SPRING	2		
5	19H3031	CAP SCREW	3		3/8" X 2-1/2"
6	M72490	WASHER	3		(SUB FOR R42729)
7	R123161	SUPPORT	3		(SUB FOR T20315)
8	RE31973	ROCKER ARM	6	____-XXXXXX	NLA (SUB RE508317, THIS APPLICATION AND R515095)
8	RE508317	ROCKER ARM	6	XXXXXX-____	(USE WITH R515095)
9	T20310	PUSH ROD	6		LGTH 234MM (9.21") NLA (SUB RE508317, THIS APPLICATION AND R515095)
9	R515095	PUSH ROD	6	XXXXXX-____	(USE WITH RE508317)
10	T20073	CAM FOLLOWER	6		



RGP5457

KEY	PART NO.	PART NAME	QTY	REMARKS	
1	R85363	CAP SCREW	14	12.7MM X 112MM (0.5" X 4.41")	
2A	RE44234	CYLINDER HEAD	1	(WITH VALVES) (MARKED R88151) (ORDER RE61771, RE64604, RE64293 AND T58477)	
2B	RE61771	CYLINDER HEAD	1	(MARKED R124845)	
3	CD16284	PLUG	2	OD 32.6MM (1.28")	
4	R97356	ENGINE CYLINDER HEAD GASKET	1		
5	RE57836	PIPE PLUG	1	(WITH SQUARE) 1/2"-14NPT (ORDER 15H584) (SUB FOR 15H624)	



Thank you so much for reading.
Please click the “Buy Now!”
button below to download the
complete manual.



After you pay.

You can download the most
perfect and complete manual in
the world immediately.

Our support email:

ebooklibonline@outlook.com