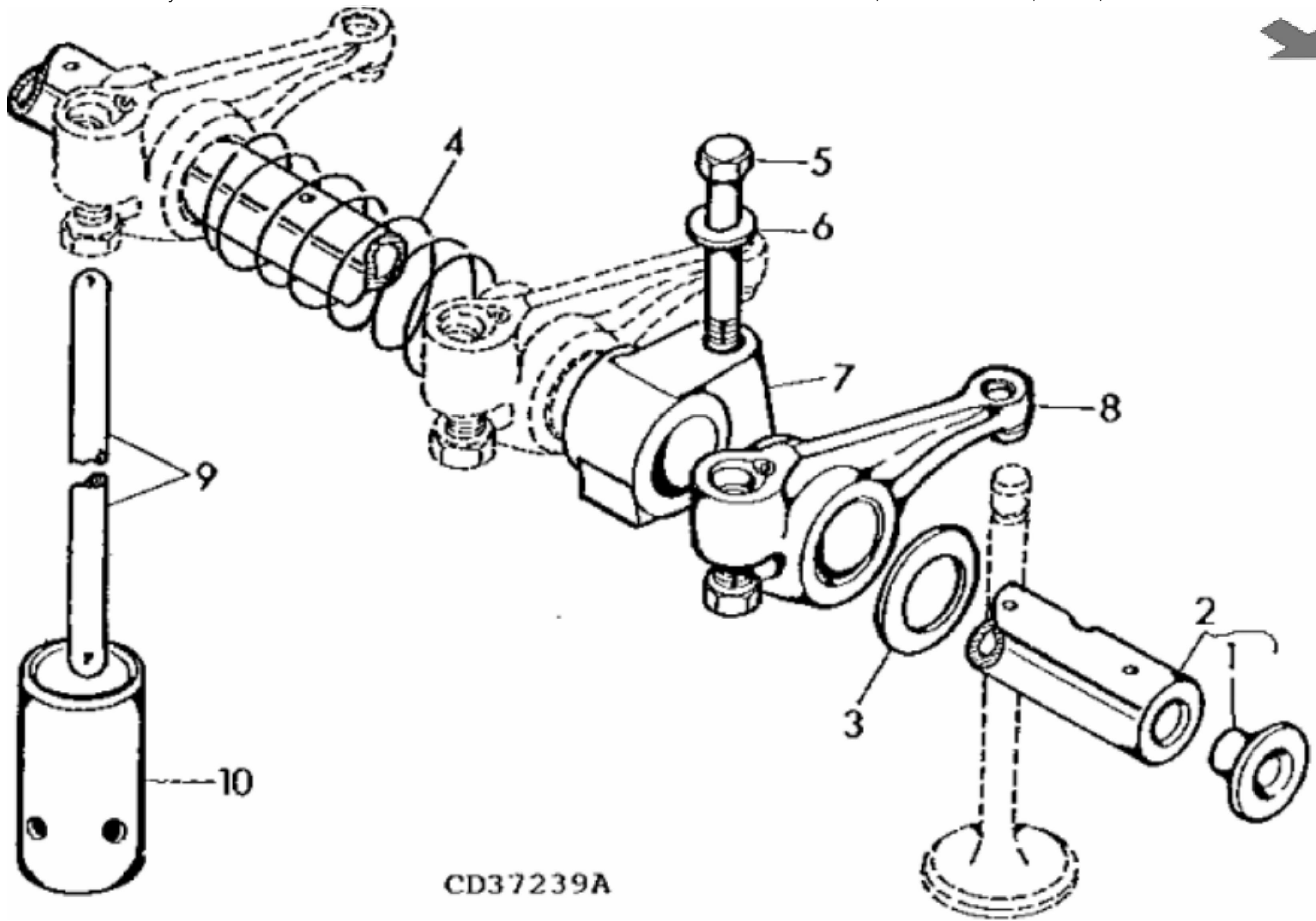


CD39041

2

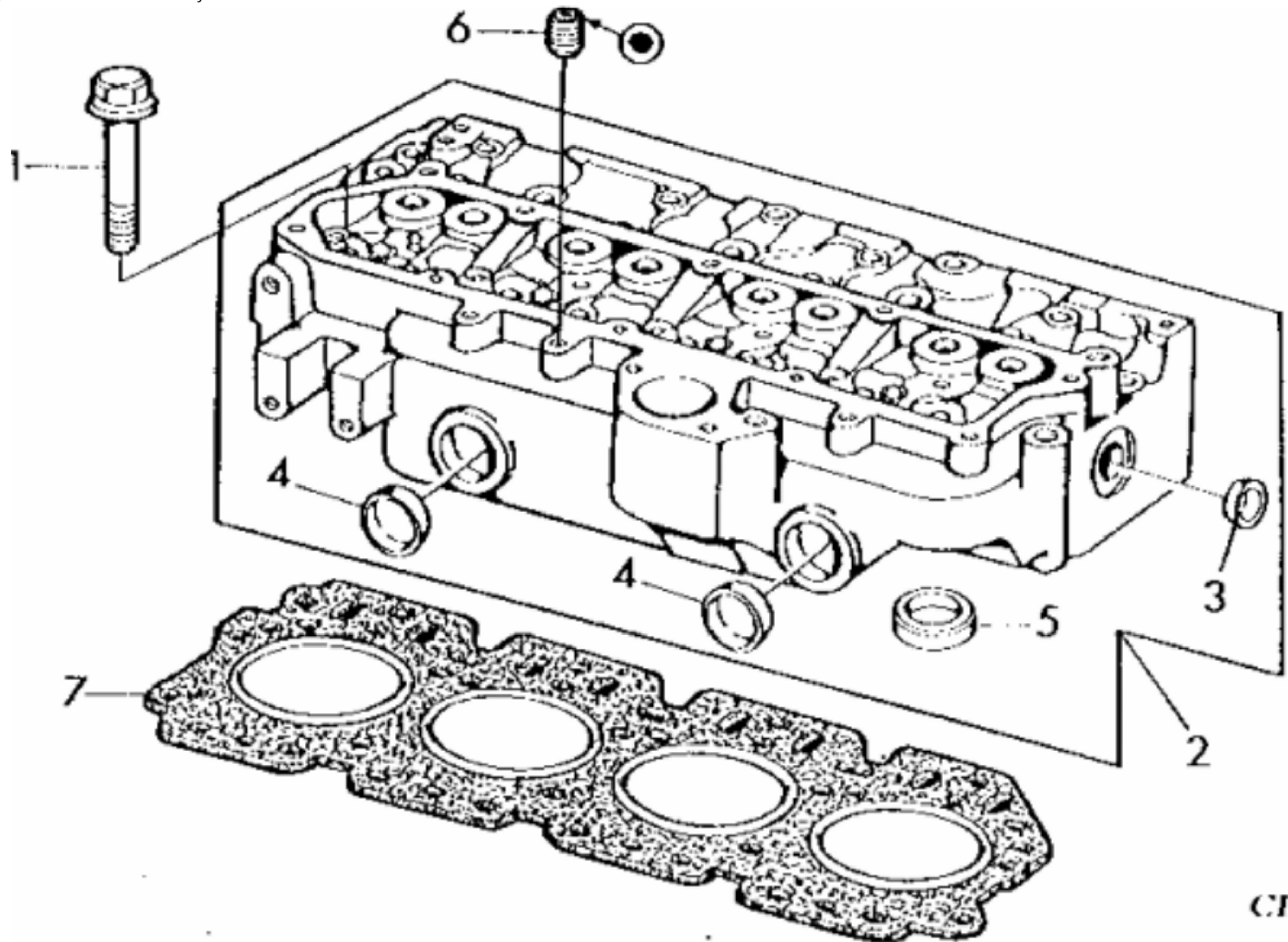


KEY	PART NO.	PART NAME	QTY	REMARKS	
1	RE44203	VALVE COVER	1		
2	R106796	O-RING	1	(CUT TO LENGTH)	
3	RE32140	SCREW WITH WASHER	8		



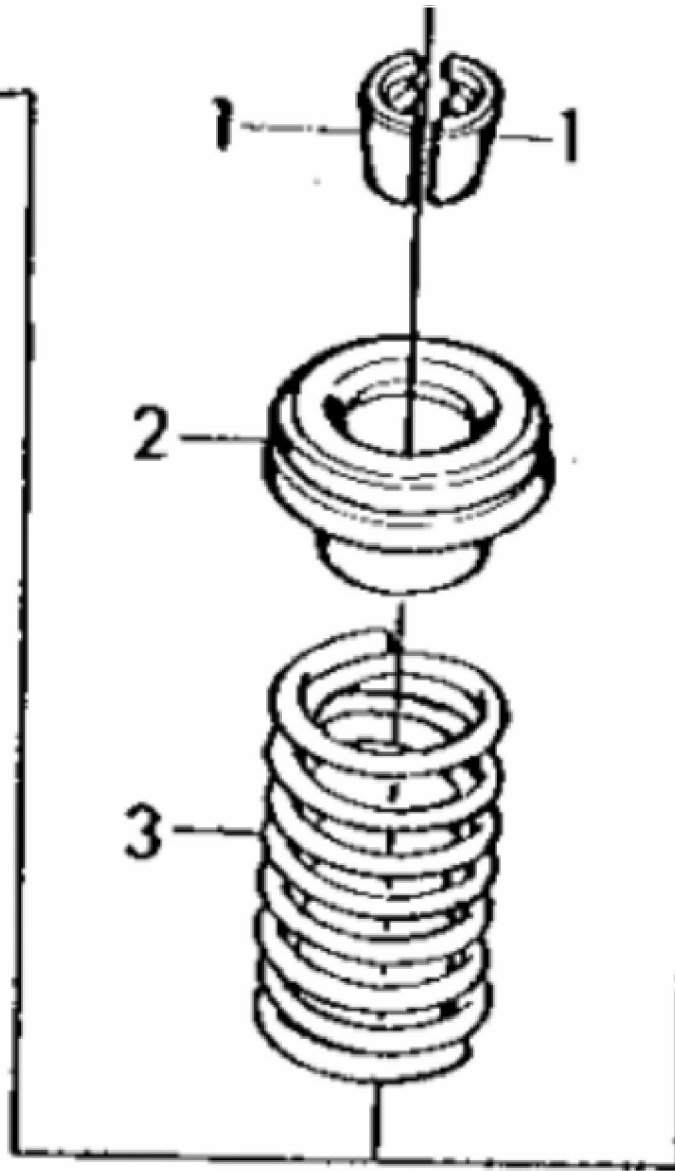
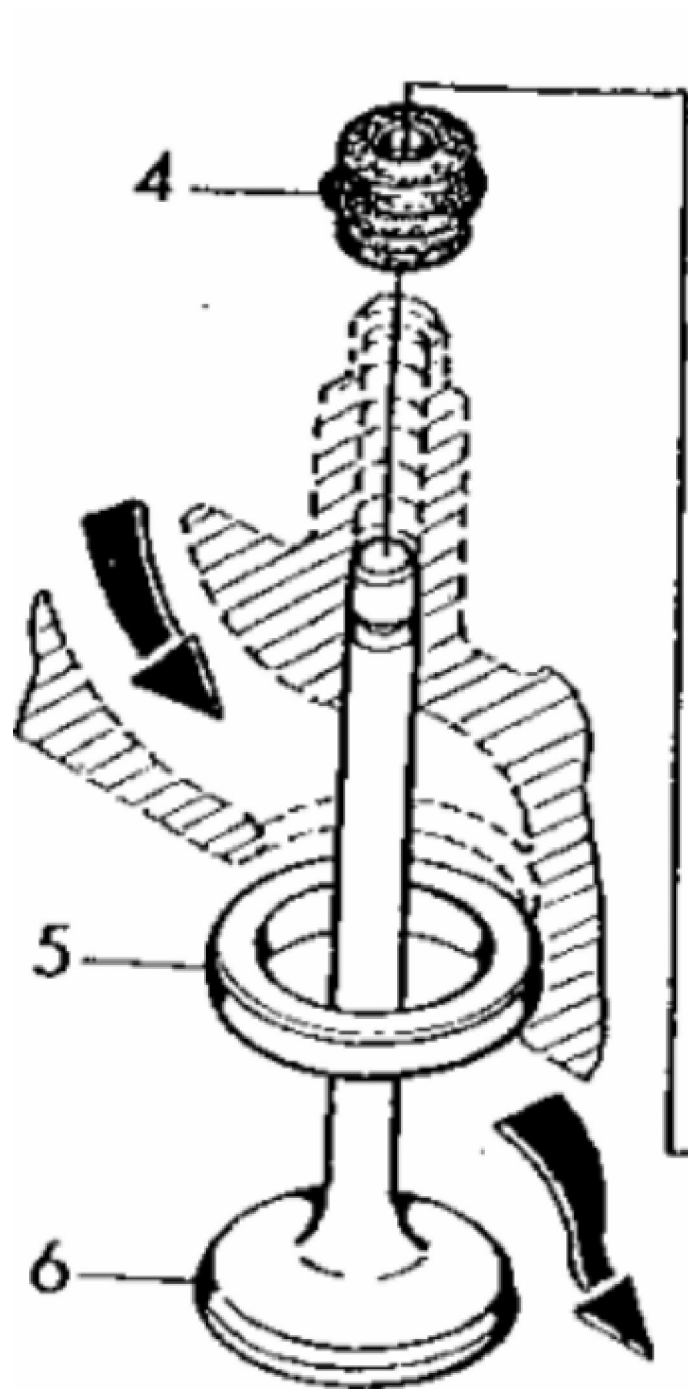
CD37239A

KEY	PART NO.	PART NAME	QTY	Engine Serial No.	REMARKS
1	R54565	PLUG	2		(A)
2	RE502874	ROCKER ARM SHAFT	1	____-XXXXXX	(SUB FOR DD12120) (SUB RE519736, THIS APPLICATION AND (8) R515095)
2	ROCKER ARM SHAFT	1	XXXXXX-____	(A) NLA; ORDER RE548059
3	T20316	WASHER	2		(A)
4	T20314	SPRING	3		(A)
5	19H1733	CAP SCREW	4		3/8" X 2-1/2"
6	R42729	WASHER	4		
7	R123161	SUPPORT	4		(A) (SUB FOR T20315)
8	RE31973	ROCKER ARM	8	____-XXXXXX	(SUB RE508317, THIS APPLICATION AND R515095)
8	RE508317	ROCKER ARM	8	XXXXXX-____	(A) (USE WITH R515095)
9	T20310	PUSH ROD	8	____-XXXXXX	ROUND END (SUB RE508317 AND R515095)
9	R515095	PUSH ROD	8	XXXXXX-____	FLARED END (USE WITH RE508317)
10	T20073	CAM FOLLOWER	8		
..	RE519736	ROCKER ARM SHAFT	1		(INCLUDES PARTS MARKED (A))

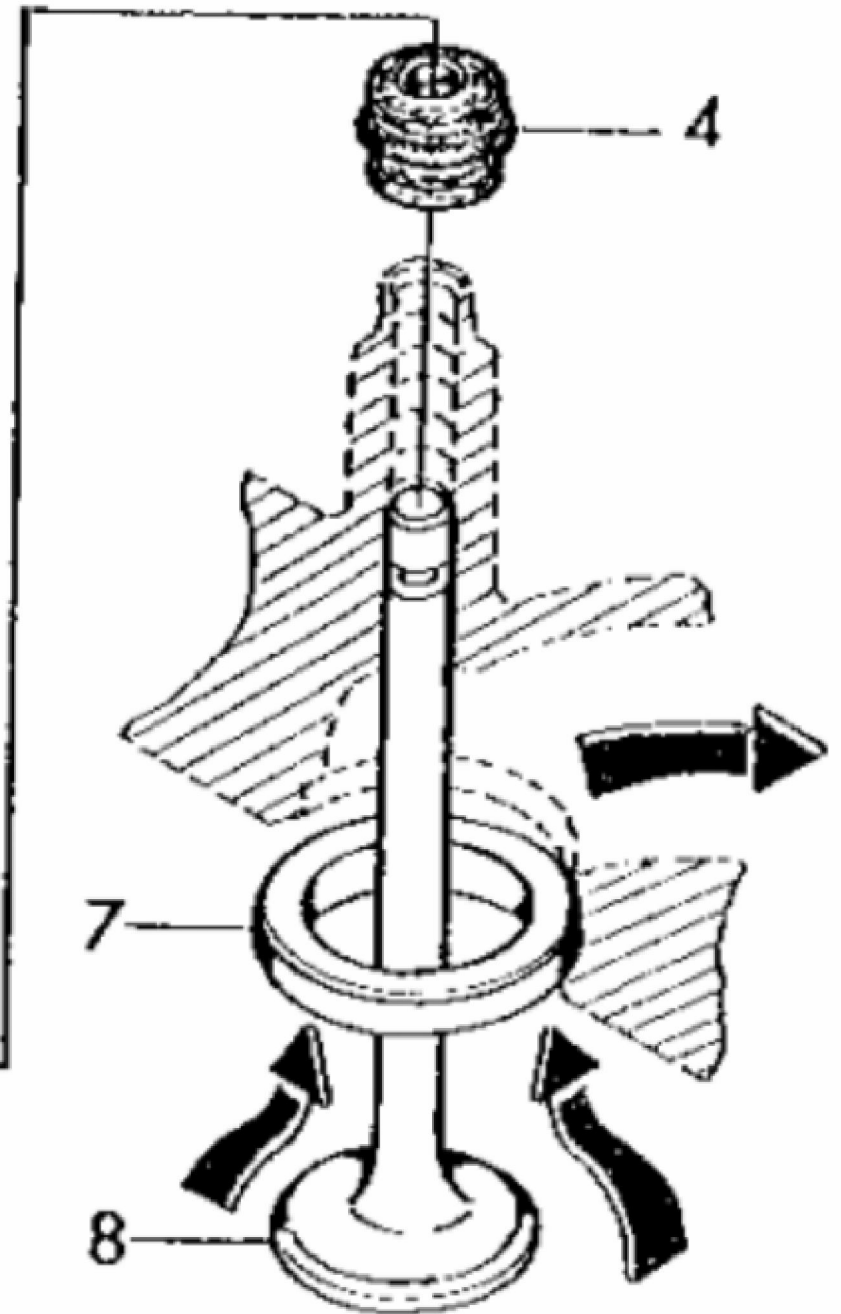


CD37202

KEY	PART NO.	PART NAME	QTY	REMARKS	
1	R85363	CAP SCREW	18	12.7MM X 112MM (0.5" X 4.41")	
2	RE48615	CYLINDER HEAD	1	(WITH VALVES) (MARKED R111949)	
3	A3910R	PLUG	AR	OD 25.4MM (1") (SUB N102039)	
3	CD16284	PLUG	AR	OD 32.6MM (1.28")	
4	R43409	PLUG	AR	OD 43.3MM (1.705")	
5	VALVE SEAT INSERT	AR		
6	R119392	PIPE PLUG	AR	1/8"-27NPT	
7	R125863	GASKET	1	(SUB FOR R92425)	



CD37204



Thank you so much for reading.
Please click the “Buy Now!”
button below to download the
complete manual.



After you pay.

You can download the most
perfect and complete manual in
the world immediately.

Our support email:

ebooklibonline@outlook.com