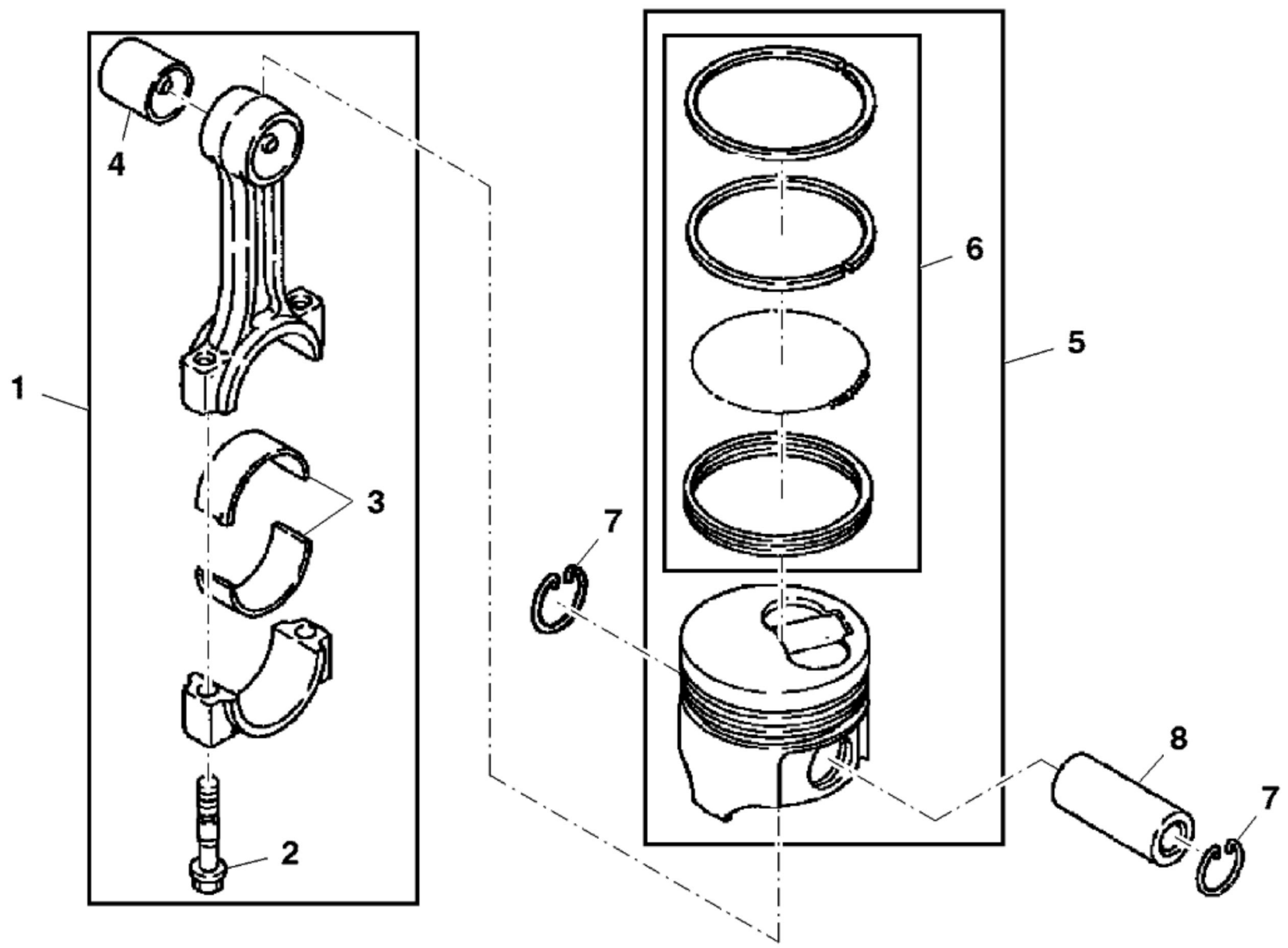


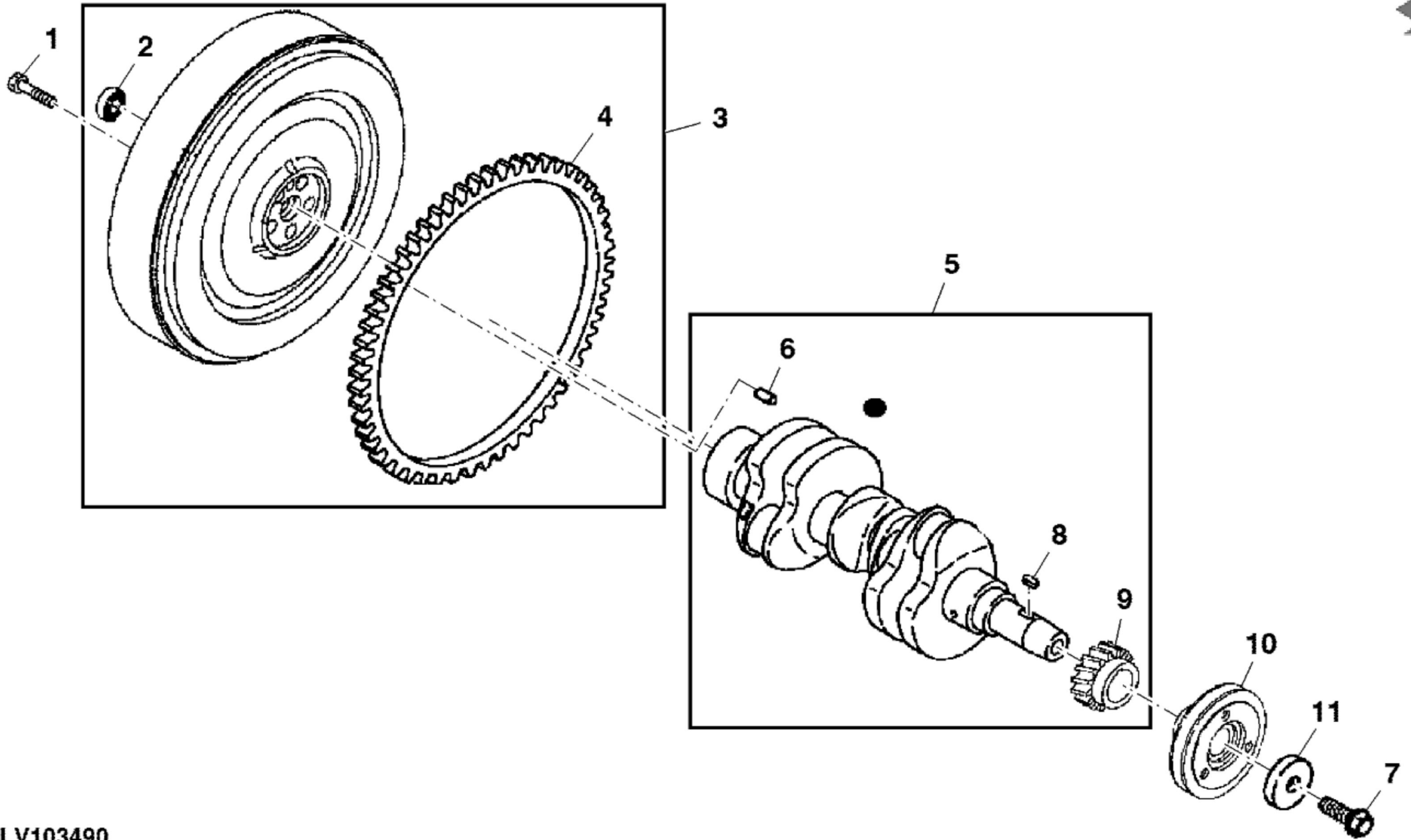
LV310071

KEY	PART NO.	PART NAME	QTY	REMARKS
1	M800970	BOLT	14	
2	MIA882331	GASKET KIT	1	
3	CH18079	SPRING PIN	2	
4	M811807	PLUG	3	
5	M809593	PLUG	1	
6	MIU800572	CAMSHAFT	1	Bush, Camshaft
7	M87871	BOLT	3	
8	M811882	SHAFT	1	Idle Gear
9	M800006	DOWEL PIN	2	Pipe, Knock
10	CH10314	PLUG	1	
11	M802255	PIN	2	8 X 16
12	M802254	PIN	2	6 X 10
13	MIA880551	BEARING	4	MainUnder Sized 0.25 MM
13	AM882418	BEARING KIT	4	Under Sized 0.25 MM
14	AM882419	THRUST WASHER	2	STD
14	MIA880557	THRUST WASHER	2	Under Sized 0.25 MM
15	M87801	PLUG	1	
16	CH10335	PLUG	1	
17	M87879	BOLT	8	
18	M811805	PLUG	4	
19	MIA880096	CYLINDER BLOCK	1	Block Assembly
20	MIA882684	SHORT BLOCK ASSEMBLY	1	MARKED 3TNV76-XJKVE1; Not Illustrated



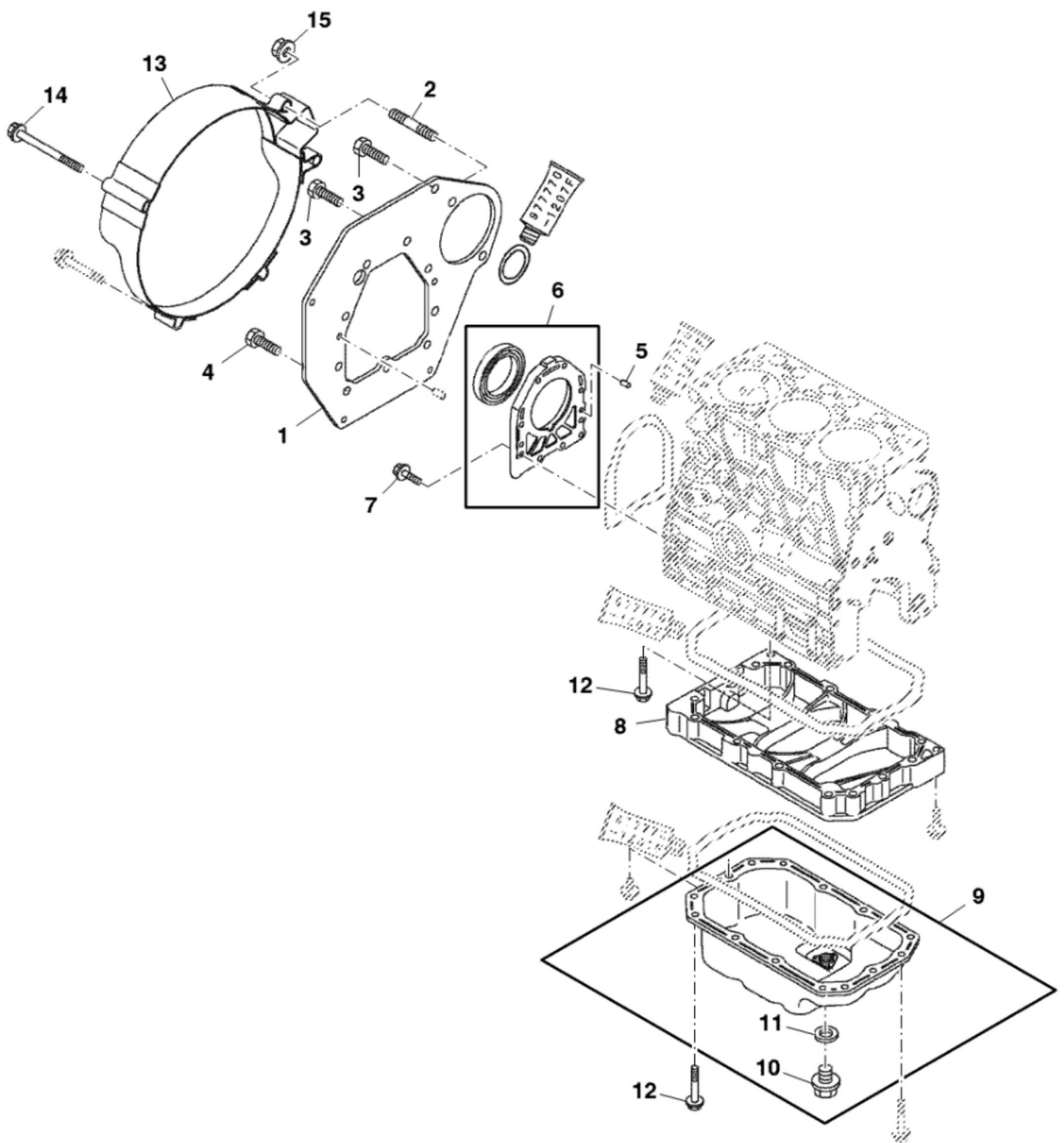
PULV103489

KEY	PART NO.	PART NAME	QTY	REMARKS	
1	AM882431	CONNECTING ROD	3		
2	M811877	BOLT	6		
3	MIA880561	BEARING	3	STD	
4	M811880	BUSHING	3	Piston Pin	
5	AM882426	PISTON	3	STD	
5	AM882430	PISTON	3	Over Sized 0.25 MM	
6	AM882428	PISTON RING KIT	3	STD	
6	AM882429	PISTON RING KIT	3	Over Sized 0.25 MM	
7	CH11486	RING	6		
8	M811869	PISTON PIN	3		



PULV103490

KEY	PART NO.	PART NAME	QTY	REMARKS	
1	M87887	BOLT	5		
2	M807344	BEARING	1		
3	MIA880102	FLYWHEEL	1		
4	M88025	RING GEAR	1		
5	AM882425	CRANKSHAFT	1		
6	M802255	PIN	1	8 X 16	
7	MIU801499	BOLT	1		
8	M87812	SHAFT KEY	1	4 X 12	
9	M811864	GEAR	1	Crankshaft	
10	MIU800069	PULLEY	1	Crankshaft	
11	M800308	WASHER	1		



PULV103731

Thank you so much for reading.
Please click the “Buy Now!”
button below to download the
complete manual.



After you pay.

You can download the most
perfect and complete manual in
the world immediately.

Our support email:

ebooklibonline@outlook.com