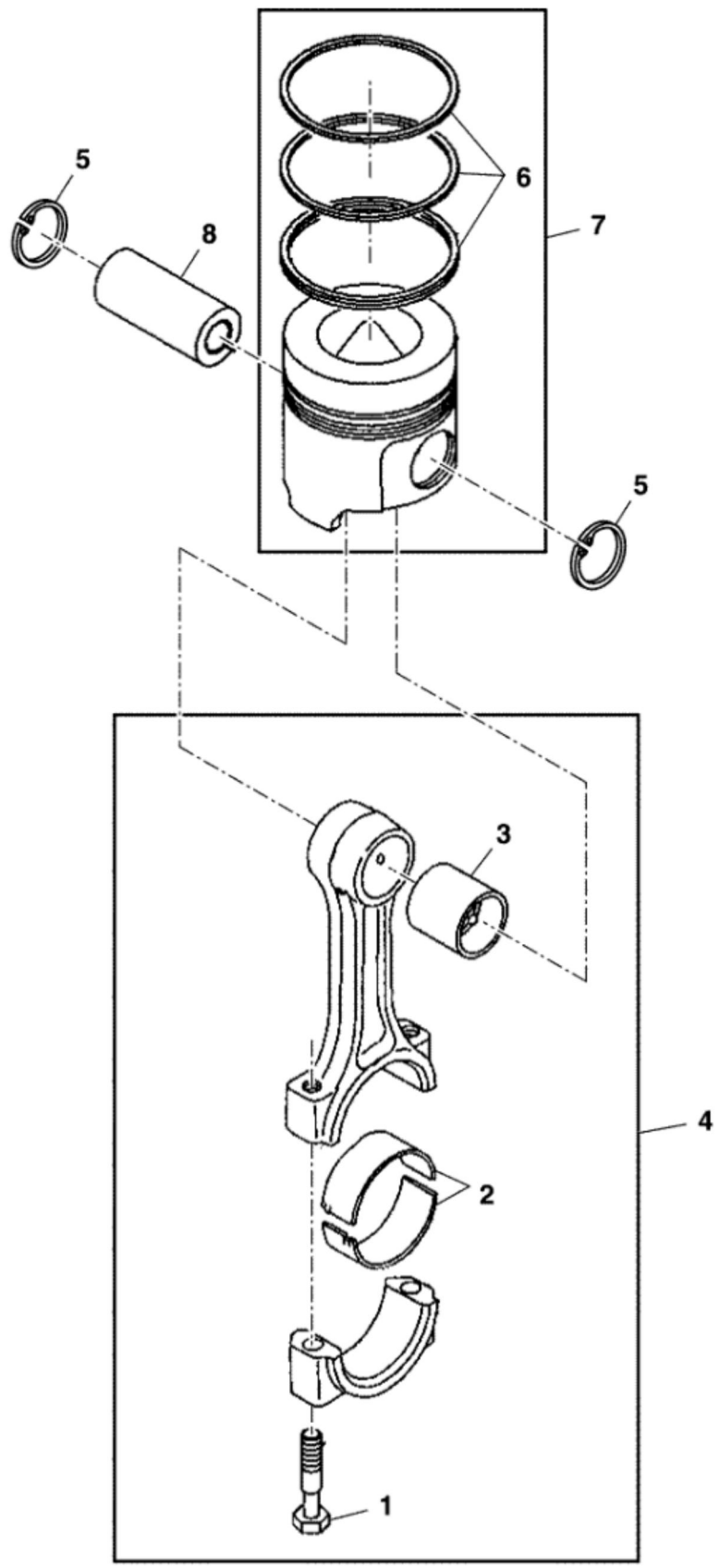
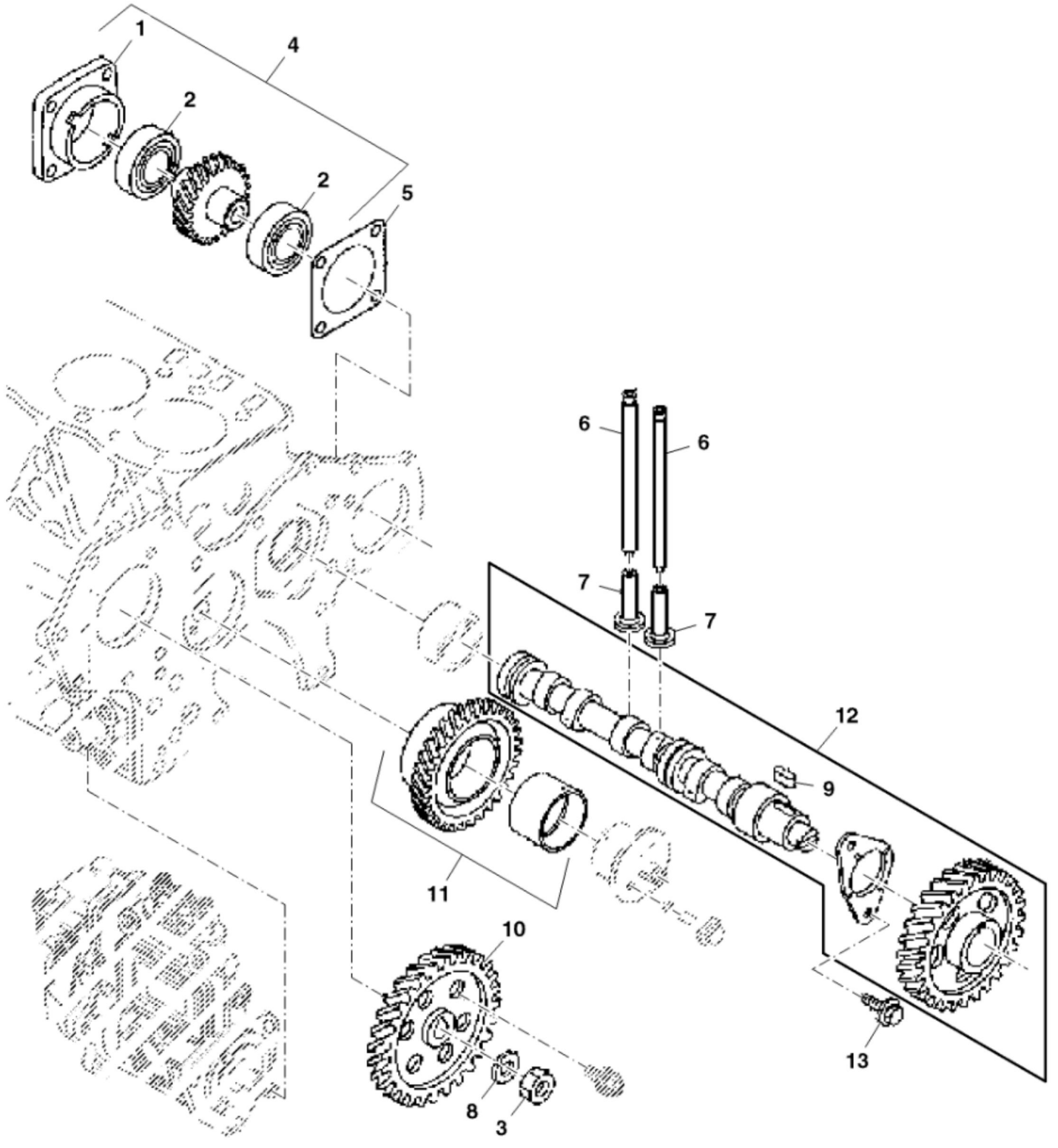


PULV103807

KEY	PART NO.	PART NAME	QTY	REMARKS	
1	M800970	BOLT	14	Cylinder Head	
2	M810048	ENGINE CYLINDER HEAD GASKET	1		
3	AM881997	CYLINDER BLOCK	1	Assy	
4	CH10335	PLUG	3		
5	CH10314	PLUG	1		
6	M802255	PIN	4	8 X 16	
7	M809565	DRAIN PLUG	1		
8	CH18079	SPRING PIN	2		
9	30M7023	PLUG	6	Cap, Metal	
10	15H562	PIPE PLUG	1	1"	
11	M800977	BUSHING	1	Camshaft	
12	M811055	SHAFT	1	Idler	
13	19M8317	BOLT	3	M8x1.25x40-10.9	
14	M87801	PLUG	2		
15	M800974	PIPE	2	Gear Case	
16	MIA880559	BEARING	4	Main Assy	
17	M87879	BOLT	8	Main Bearing Cap	
18	M811352	SPACER	1		
19	MIA882679	SHORT BLOCK ASSEMBLY	1	MARKED 3TNV82A-MJKE1; Not Illustrated	

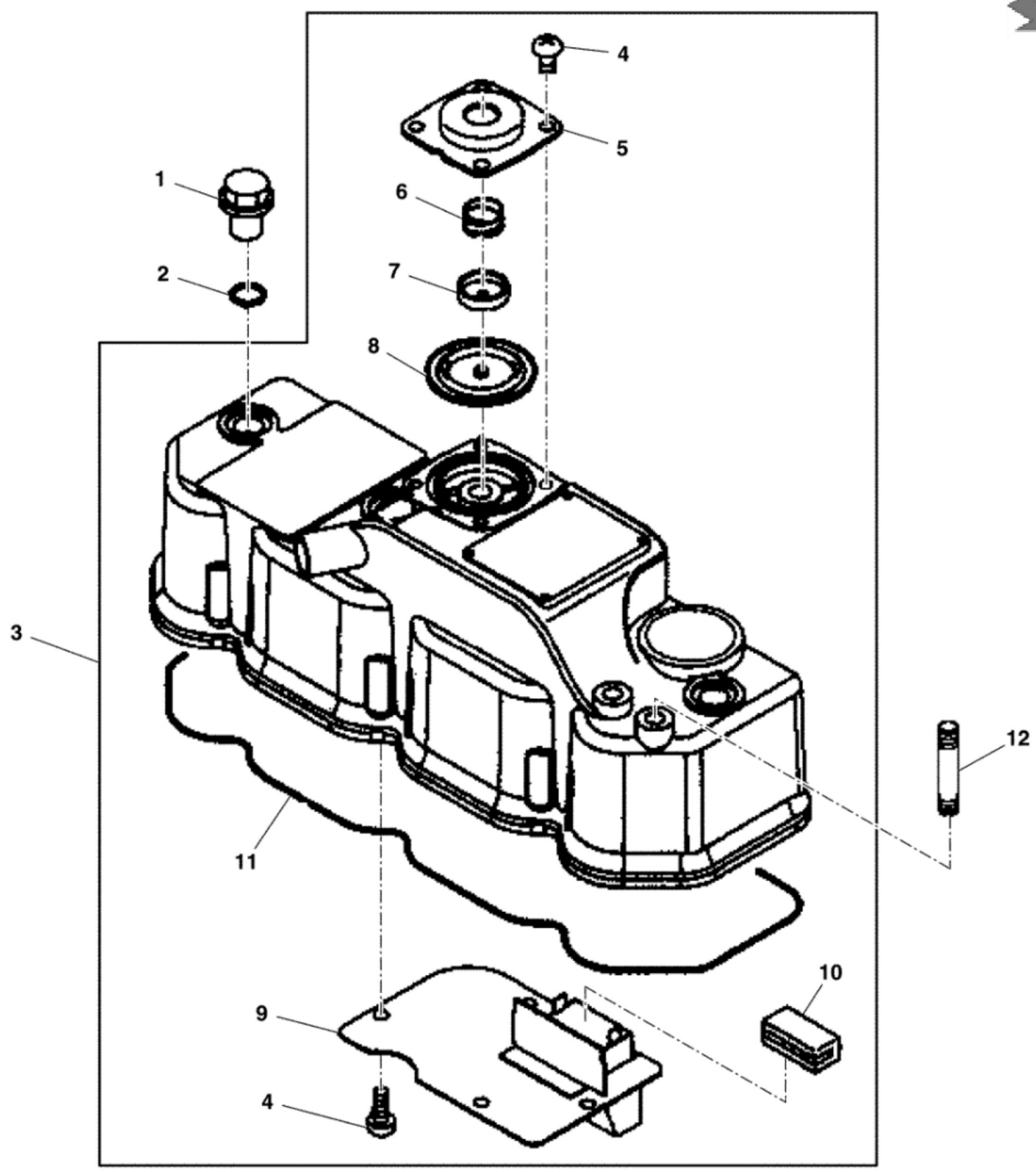


KEY	PART NO.	PART NAME	QTY	REMARKS	
1	M801068	BOLT	2	Rod	
2	MIA880562	BEARING	1	Crank	
2	MIA880567	BEARING	1	.25 mm	
3	M801075	BEARING	1	Piston Pin	
4	AM875320	CONNECTING ROD	3	Rod Assembly	
5	RG60161	SNAP RING	6		
6	AM881986	PISTON RING KIT	1	STD	
6	AM881988	PISTON RING KIT	1	.25 mm, OS	
7	AM881985	PISTON REPLACEMENT KIT	3	STD	
7	AM881987	PISTON REPLACEMENT KIT	3	.25 mm, OS	
8	M806430	PISTON PIN	3		



PULV103806

KEY	PART NO.	PART NAME	QTY	REMARKS	
1	M802618	BRACKET	1	Pump	
2	CH13505	BALL BEARING	2		
3	14M7156	NUT	1	M14	
4	AM876339	GEAR	1	H.O. Pump	
5	M805840	GASKET	1	Pump	
6	M801047	PUSH ROD	6		
7	M801046	CAM FOLLOWER	6		
8	12M7068	LOCK WASHER	1	14 mm	
9	M801045	SHAFT KEY	1	7 X 14	
10	M811057	GEAR	1	Fuel Injection Pump, FIP	
11	MIA880571	IDLER GEAR	1	Assy	
12	AM881983	CAMSHAFT	1	Assy	
13	CH19780	BOLT	2	M8 X 14	



PULV103633

Thank you so much for reading.
Please click the “Buy Now!”
button below to download the
complete manual.



After you pay.

You can download the most
perfect and complete manual in
the world immediately.

Our support email:

ebooklibonline@outlook.com