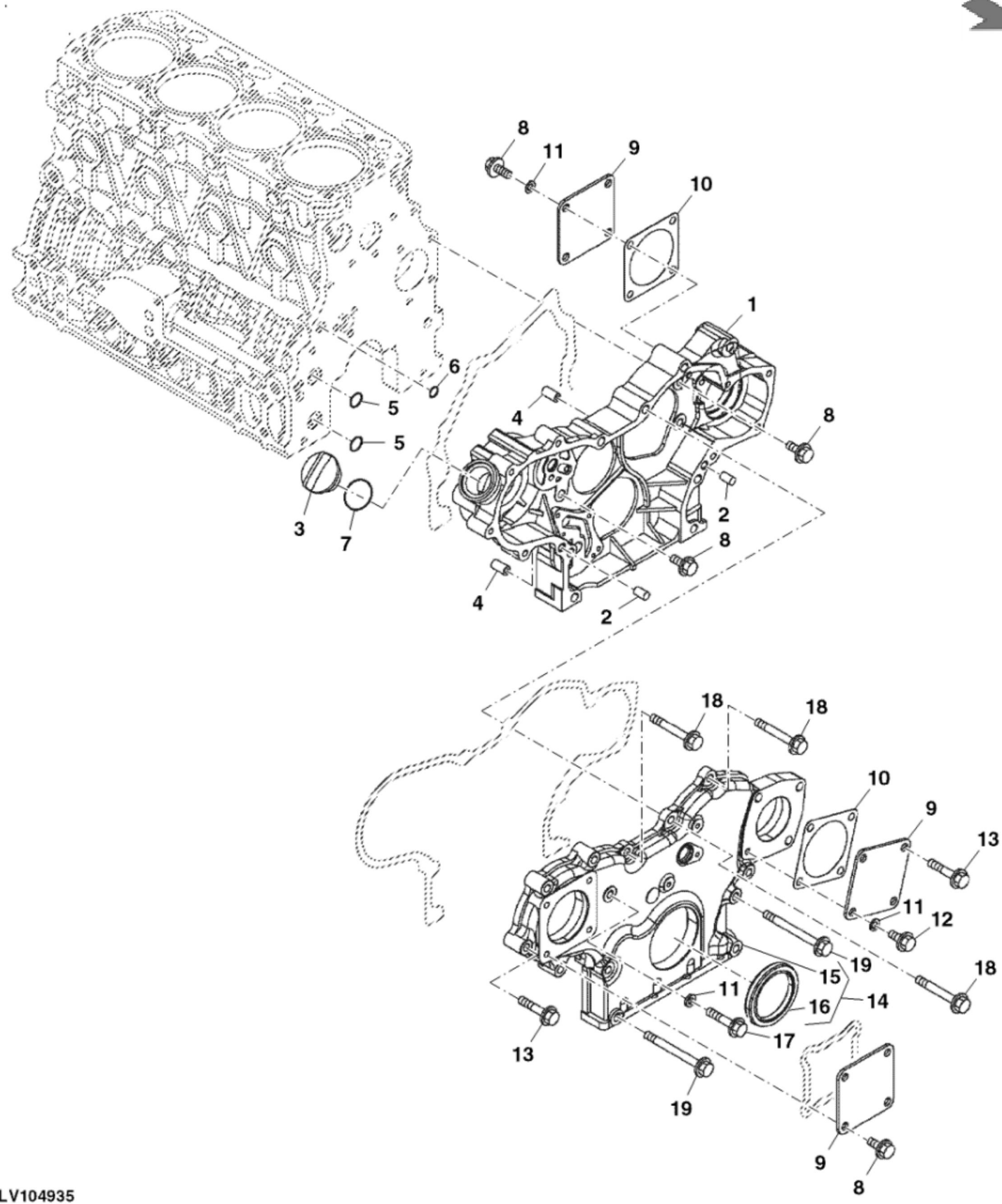


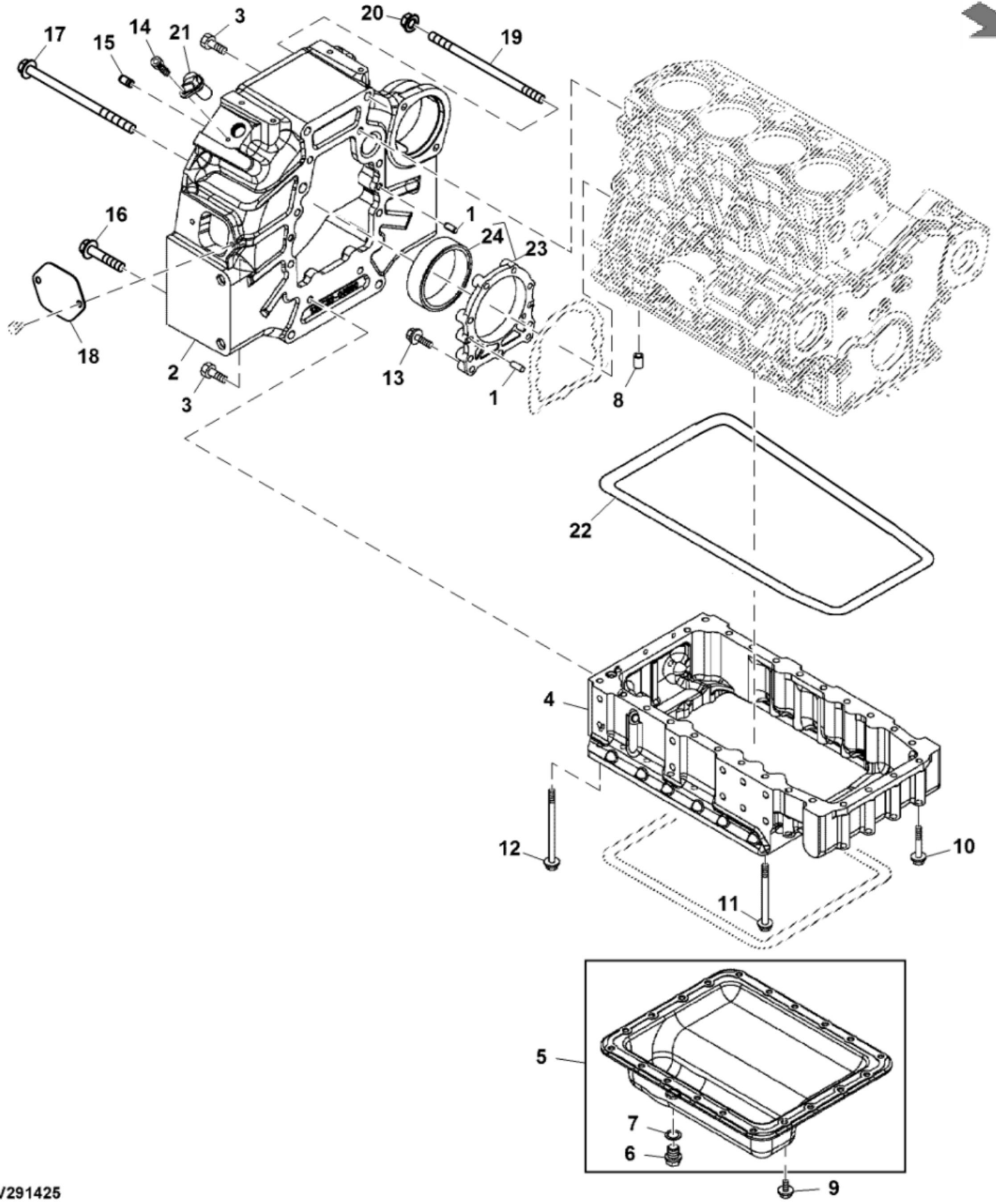
PULV104934

KEY	PART NO.	PART NAME	QTY	REMARKS	
1	MIA882493	CYLINDER BLOCK	1		
2	M809565	DRAIN PLUG	1		
3	15H562	PIPE PLUG	1	1"	
4	M801189	BOLT	10		
5	MIU800573	BUSHING	1	Camshaft	
6	30M7023	PLUG	8		
7	CH10314	PLUG	1		
8	CH10335	PLUG	3		
9	M87801	PLUG	1		
10	M801186	BOLT	18		
11	MIU802736	GASKET	1	Cylinder Head	
12	M811307	PLUG	1		
13	MIA880554	BEARING	5	(Spare Part)	
13	MIA880550	BEARING	5	(Under-Sized (U.S=0.25) Part)	
14	MIA882809	BEARING KIT	1	(Over-Sized (O.S=0.25) Part)	
14	MIA880555	BEARING	2		
15	MIA13032	DIESEL ENGINE	1	Not Illustrated MARKED 4TNV88C-MJT; SUB FOR MIA12244	



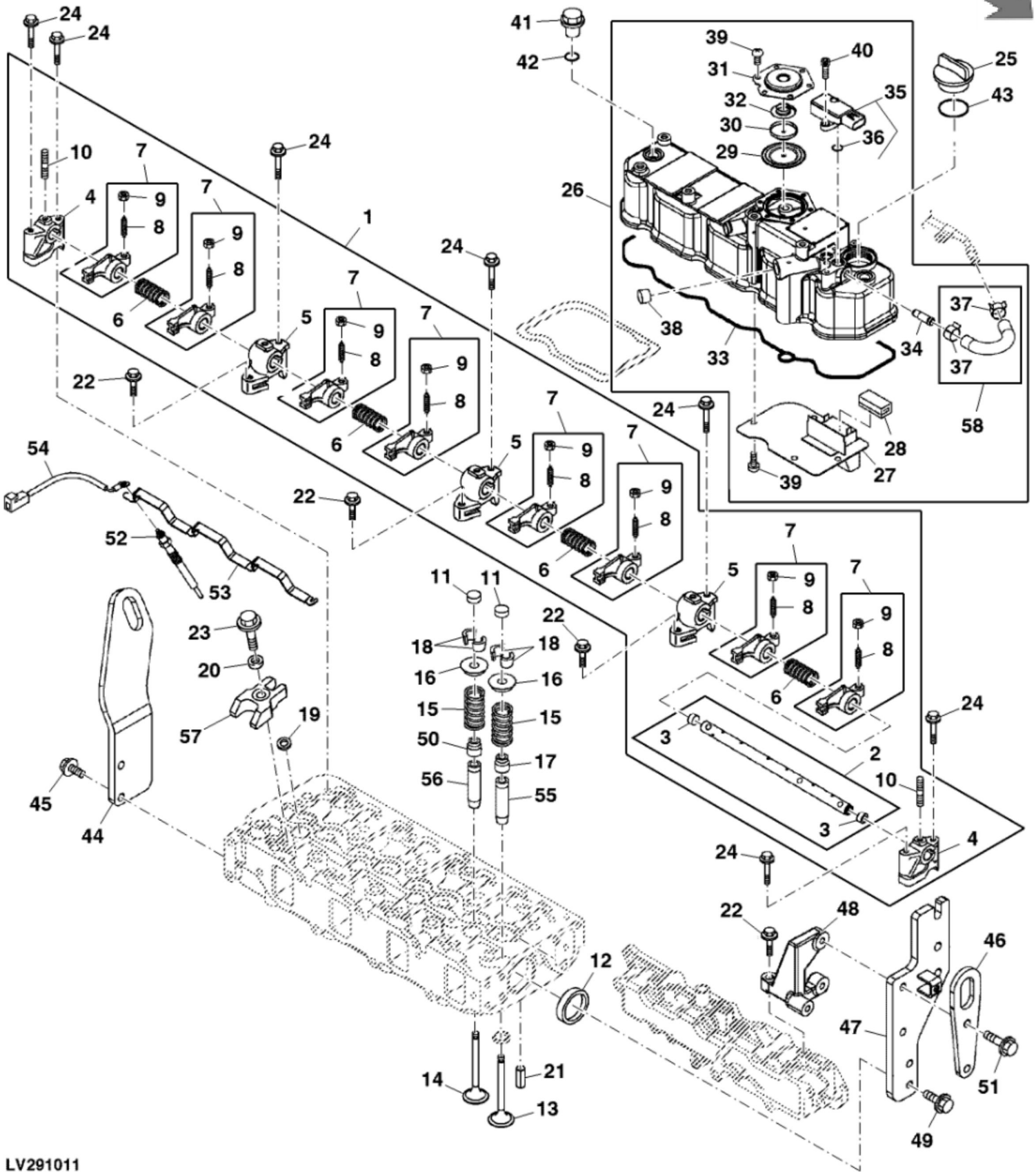
PULV104935

KEY	PART NO.	PART NAME	QTY	REMARKS	
1	MIU803207	GEAR CASE	1		
2	M802255	PIN	2		
3	M805710	CAP	1	Oil Fill	
4	M800974	PIPE	2	For Gear Case	
5	M810185	O-RING	2		
6	M809204	O-RING	1		
7	M805711	PACKING	1		
8	19M7865	SCREW	11	M8 X 16	
9	CH18096	COVER	3		
10	MIU802578	GASKET	2		
11	M803523	WASHER	3		
12	CH19780	BOLT	1		
13	19M7897	SCREW	8	M8 X 35	
14	MIA882962	COVER KIT	1		
15	MIU803224	COVER	1		
16	M811078	SEAL	1		
17	CH19090	BOLT	1	SUB FOR 19M7897	
18	19M7801	SCREW	3	M8 X 60	
19	CH19136	BOLT	4		



LV291425

KEY	PART NO.	PART NAME	QTY	REMARKS	
1	M802255	PIN	4		
2	MIU803279	FLYWHEEL	1		
3	19M7402	CAP SCREW	8	M10 X 25, SUB FOR M800077	
4	MIU803597	OIL PAN	1		
5	AM881955	COVER	1		
6	T111565	PLUG	1	Drain	
7	M811568	WASHER	1		
8	T110645	PIPE	1		
9	19M7864	SCREW	20	M8 X 12	
10	CH19136	BOLT	8		
11	CH19093	BOLT	14		
12	T111562	BOLT	4		
13	M808308	BOLT	9		
14	M800695	BOLT	1		
15	44M7131	DOWEL PIN	2		
16	19M7815	SCREW	5	M12 X 60	
17	LVU25337	SCREW	2		
18	M132855	PLATE	1		
19	LVU26821	ROD	2		
20	14M7299	FLANGE NUT	2	M12	
21	MIU802138	SENSOR	1		
22	M64850	SEALANT	1		
23	AM875375	CASE	1		
24	M805278	SEAL	1		



LV291011

KEY	PART NO.	PART NAME	QTY	REMARKS
1	AM881804	ROCKER ARM SHAFT	1	
2	M811121	SHAFT	1	
3	M800002	PLUG	2	
4	M811050	SUPPORT	2	Rocker Arm
5	M811051	SUPPORT	3	Rocker Arm
6	M801025	SPRING	4	Shaft
7	AM881820	ROCKER ARM	8	
8	M801027	SCREW	8	Adjust
9	M801028	NUT	8	
10	M801024	STUD	3	
11	M801224	CAP	8	
12	CH16751	PLUG	2	
13	M811557	INTAKE VALVE	4	
14	MIU800494	EXHAUST VALVE	4	
15	M801222	SPRING	8	
16	M801223	RETAINER	8	
17	CH10450	SEAL	4	
18	AM878862	RETAINER KIT	8	Includes 2 Sides
19	MIU802096	GASKET	4	
20	M811080	WASHER	4	
21	CH18079	SPRING PIN	2	
22	CH19085	BOLT	4	
23	CH19090	BOLT	4	SUB FOR 19M7897
24	CH19086	BOLT	7	
25	M805710	CAP	1	
26	MIA882495	VALVE COVER	1	
27	M811085	PLATE	1	
28	M801032	DEFLECTOR	1	
29	MIU801017	BREATHER	1	
30	MIU801018	PLATE	1	
31	MIU801019	PLATE	1	
32	MIU801020	DISK SPRING	1	
33	MIU802182	GASKET	1	
34	MIU802104	UNIVERSAL JOINT	1	
35	MIU803774	SENSOR	1	



Thank you so much for reading.  
Please click the “Buy Now!”  
button below to download the  
complete manual.



After you pay.

You can download the most  
perfect and complete manual in  
the world immediately.

Our support email:

[ebooklibonline@outlook.com](mailto:ebooklibonline@outlook.com)