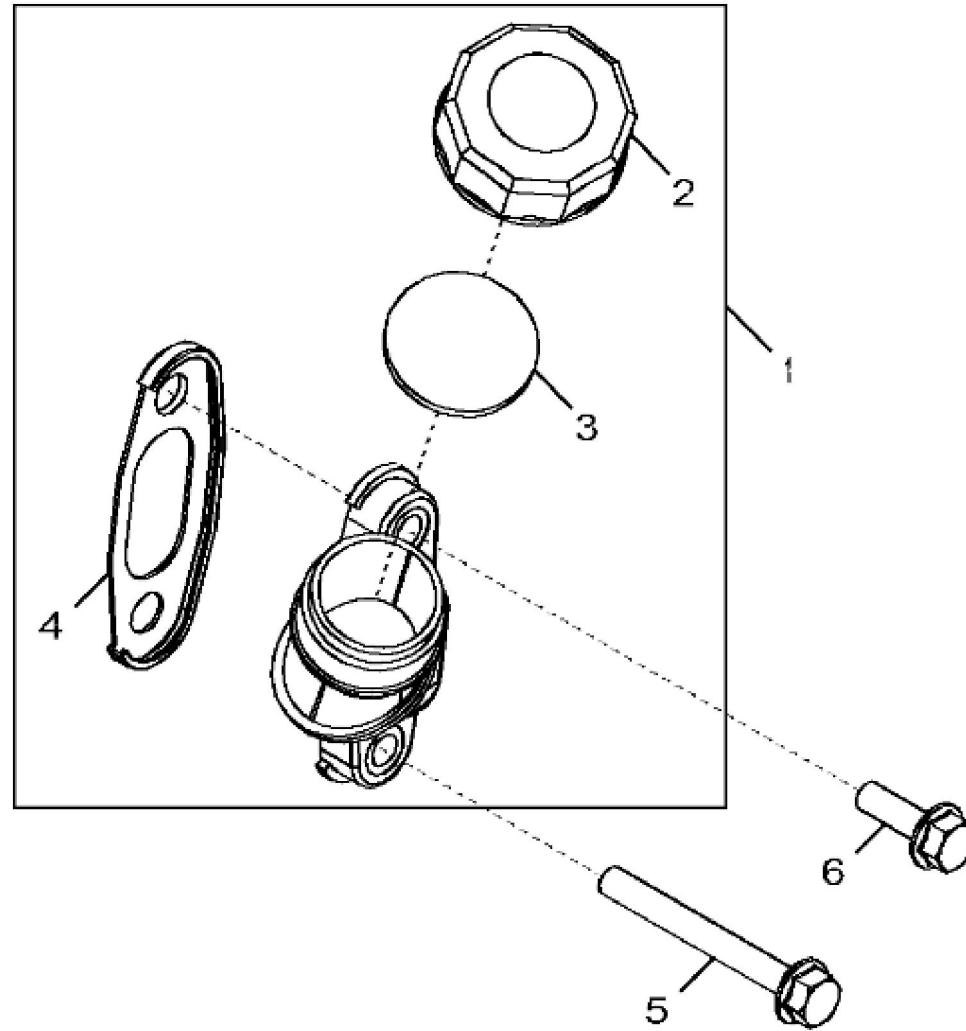


John Deere > Turf And Utility >TRACTOR >5075EF - TRACTOR >5075EF Tractor (Engine: 3029TPY60)(South American Edition) >20 ENGINE 3029TPY60-RE566320 METRIC >ST743361 - 1194 ROCKER ARM COVER

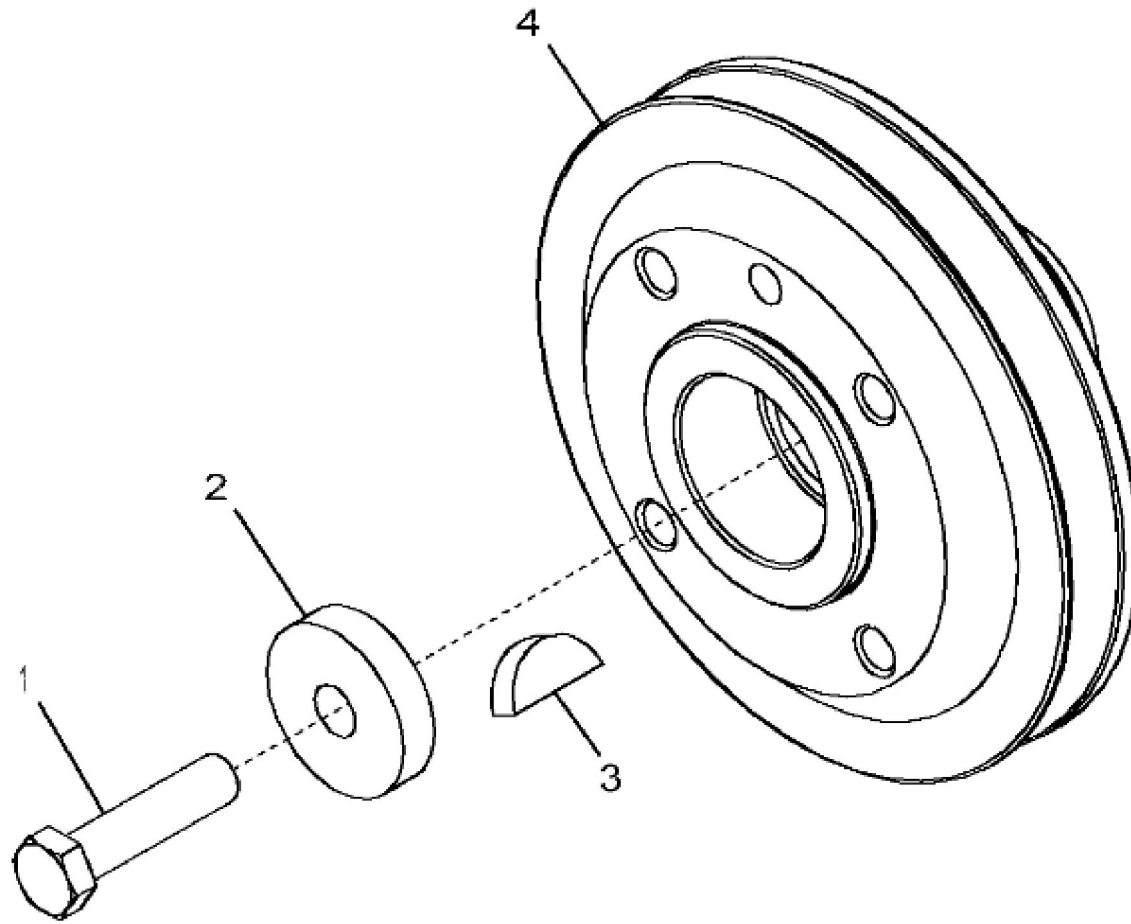
KEY	PART NO.	PART NAME	QTY	REMARKS	
1	RE554007	SCREW	6		
2	RE538676	COVER	1		
3	R75729	GASKET	1		



1254\_RE549361\_PCD

John Deere > Turf And Utility >TRACTOR >5075EF - TRACTOR >5075EF Tractor (Engine: 3029TPY60)(South American Edition) >20 ENGINE 3029TPY60-RE566320 METRIC >ST700744 - 1254 OIL FILLER NECK

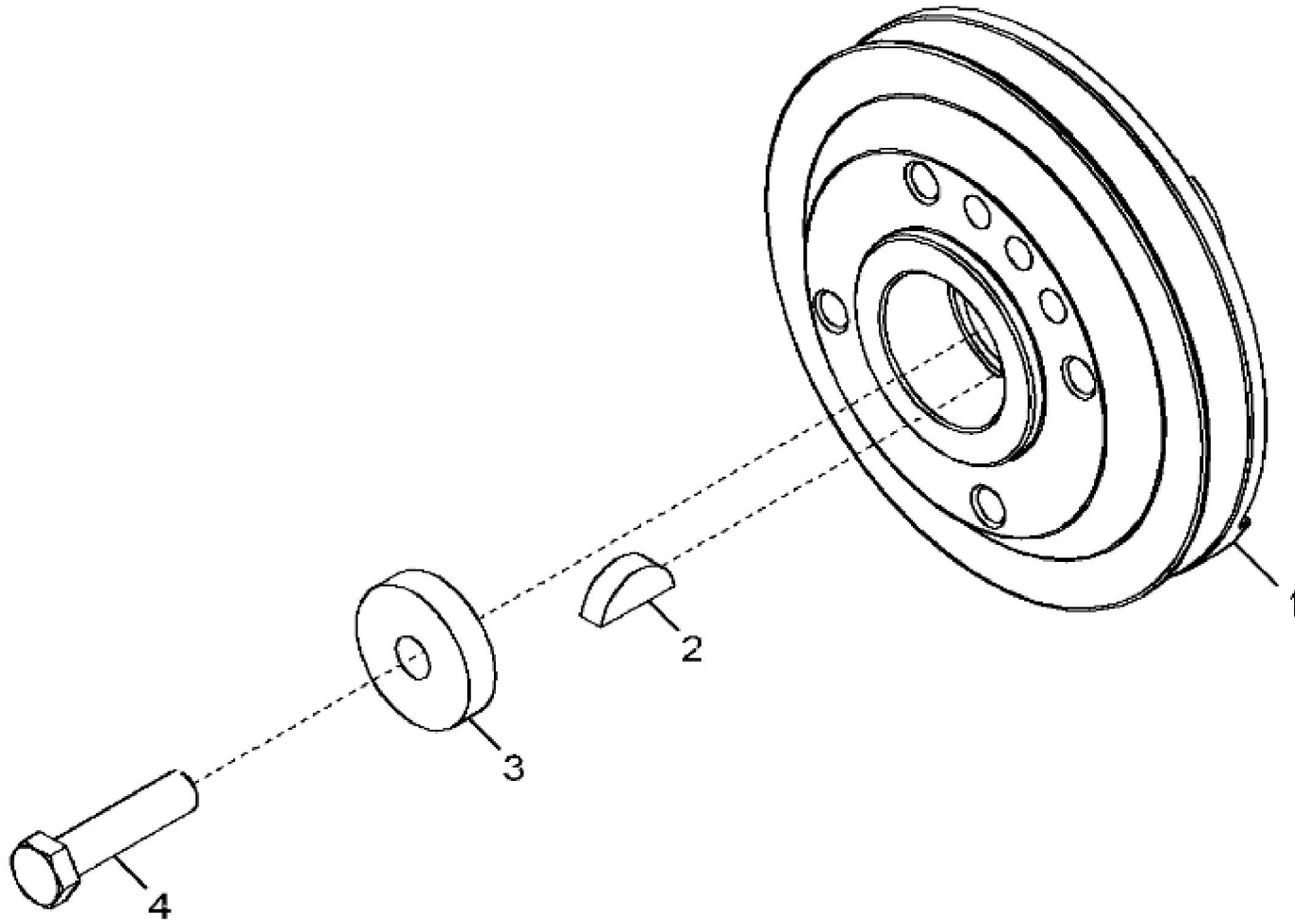
KEY	PART NO.	PART NAME	QTY	REMARKS	
1	RE549496	FILLER NECK	1		
2	R90788	PLUG	1		
3	T20328	GASKET	1		
4	R87259	GASKET	1		
5	19M7803	SCREW	1	M8 X 70	
6	19M7867	SCREW	1	M8 X 25	



1346\_RE549362\_PCD

John Deere > Turf And Utility > TRACTOR > 5075EF - TRACTOR > 5075EF Tractor (Engine: 3029TPY60)(South American Edition) > 20 ENGINE 3029TPY60-RE566320 METRIC > ST828803 - 1346 CRANKSHAFT PULLEY AND DAMPER ( - XXXXXX)

KEY	PART NO.	PART NAME	QTY	REMARKS	
1	R537016	CAP SCREW	1		
2	R109086	SPACER	1		
3	26H27	SHAFT KEY	1	5/16" X 1-1/8"	
4	R547151	PULLEY	1	SUB FOR APPL R534143	



1350\_RE551648\_PCD

Thank you so much for reading.  
Please click the “Buy Now!”  
button below to download the  
complete manual.



After you pay.

You can download the most  
perfect and complete manual in  
the world immediately.

Our support email:

[ebooklibonline@outlook.com](mailto:ebooklibonline@outlook.com)