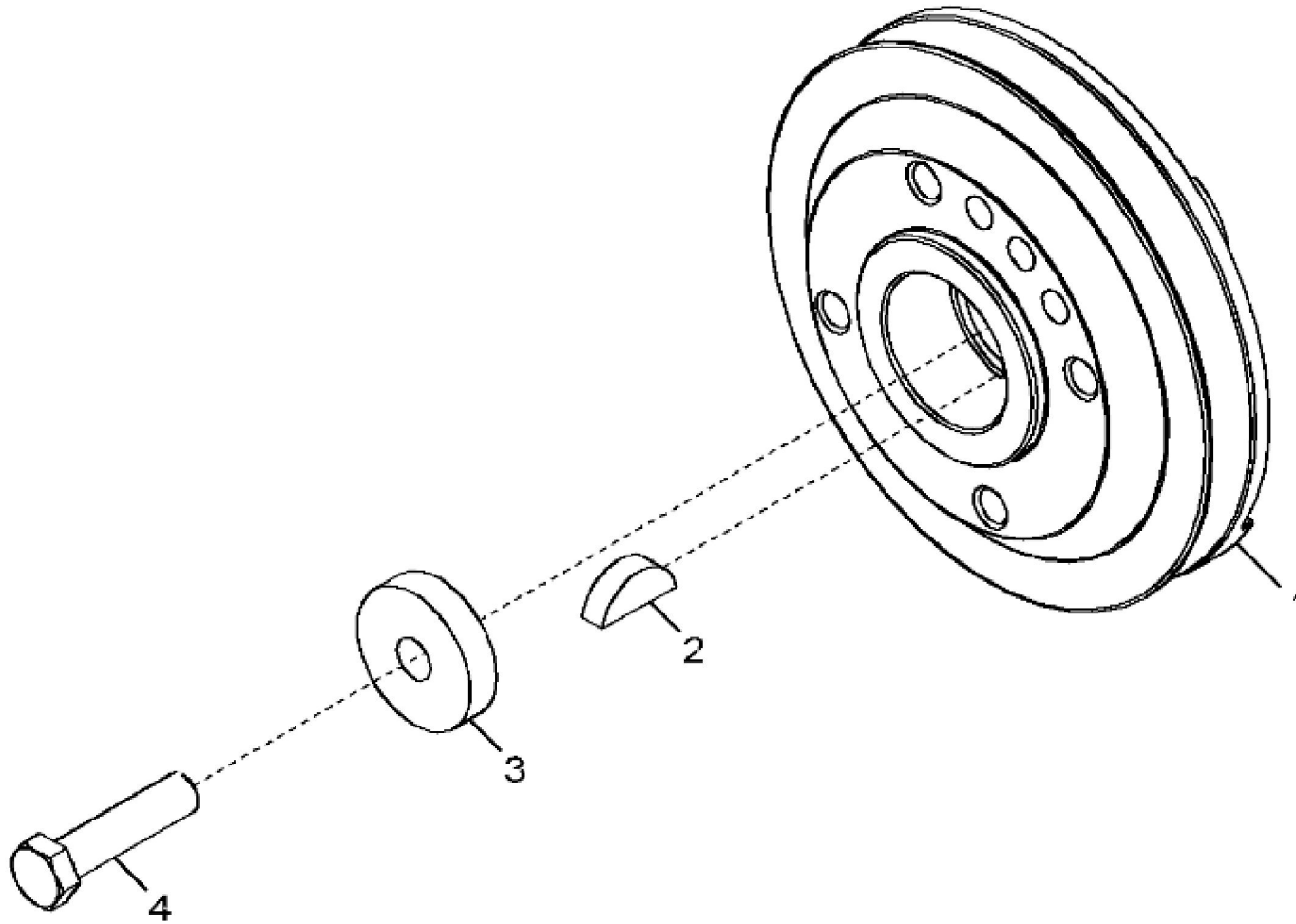


ENGINE 3029HPY69-DZ100288 METRIC &gt;ST743365 - 11AB ROCKER ARM COVER

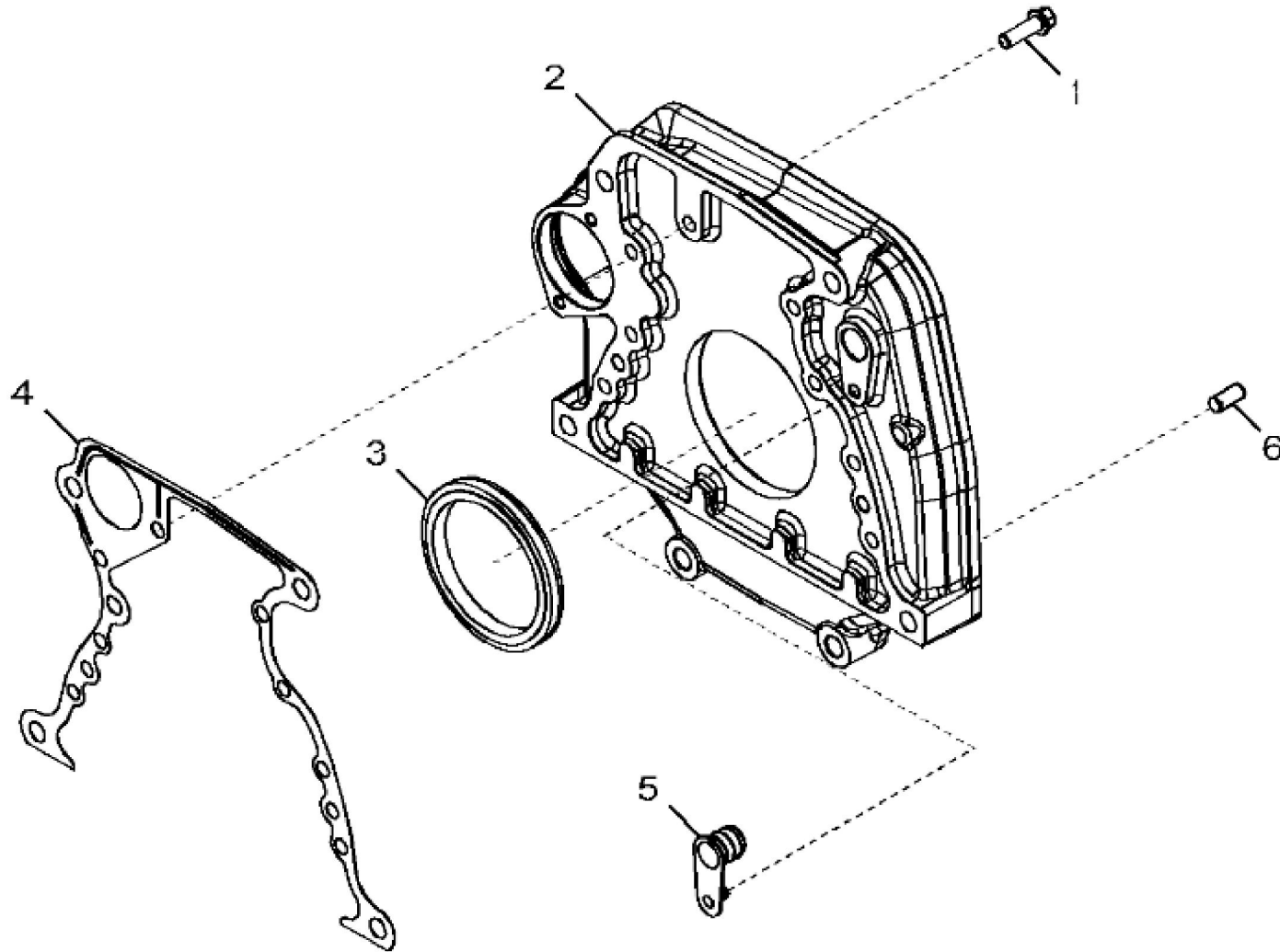
KEY	PART NO.	PART NAME	QTY	REMARKS	
1	R90788	CAP	1		
2	RE554007	SCREW	6		
3	RE527538	COVER	1		
4	R75729	GASKET	1		
5	T20328	GASKET	1		
6	RE526534	COVER	1		



1350\_RE551648\_PCD

ENGINE 3029HPY69-DZ100288 METRIC &gt; ST756041 - 1350 CRANKSHAFT PULLEY

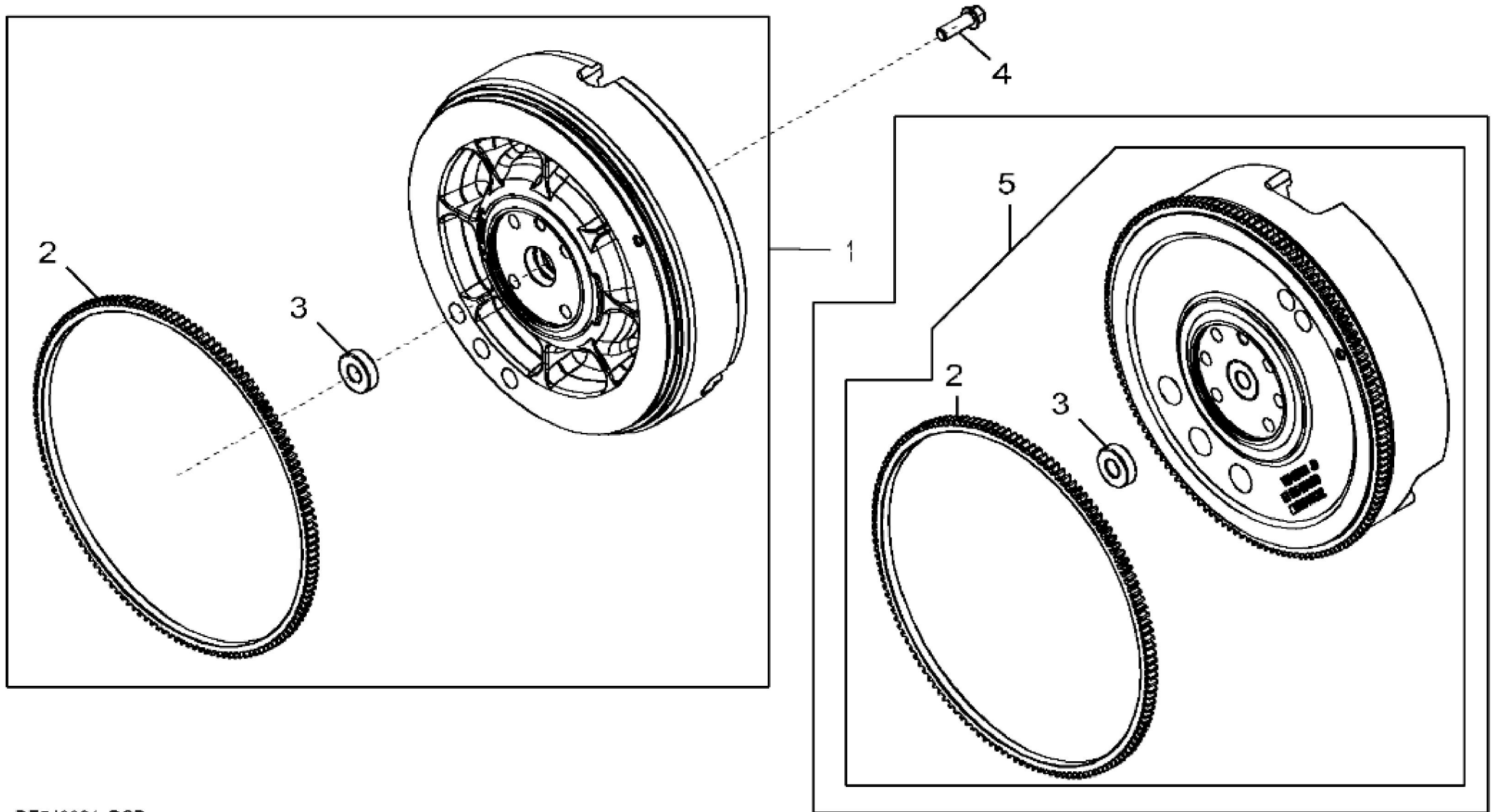
KEY	PART NO.	PART NAME	QTY	REMARKS	
1	R538838	PULLEY	1	MARKED R539503	
2	26H27	SHAFT KEY	1	5/16" X 1-1/8"	
3	R109086	SPACER	1	SUB FOR CD16045	
4	R537016	CAP SCREW	1		



1489\_RE549363\_PCD

ENGINE 3029HPY69-DZ100288 METRIC &gt; ST757731 - 1489 FLYWHEEL HOUSING

KEY	PART NO.	PART NAME	QTY	REMARKS	
1	R531927	CAP SCREW	8		
2	R534252	HOUSING	1	MARKED R538315	
3	RE44574	SEAL	1		
4	R536055	GASKET	1		
5	R131765	PLUG	1		
6	A120R	DOWEL PIN	2		



15AL\_RE549364\_PCD

Thank you so much for reading.  
Please click the “Buy Now!”  
button below to download the  
complete manual.



After you pay.

You can download the most  
perfect and complete manual in  
the world immediately.

Our support email:

[ebooklibonline@outlook.com](mailto:ebooklibonline@outlook.com)