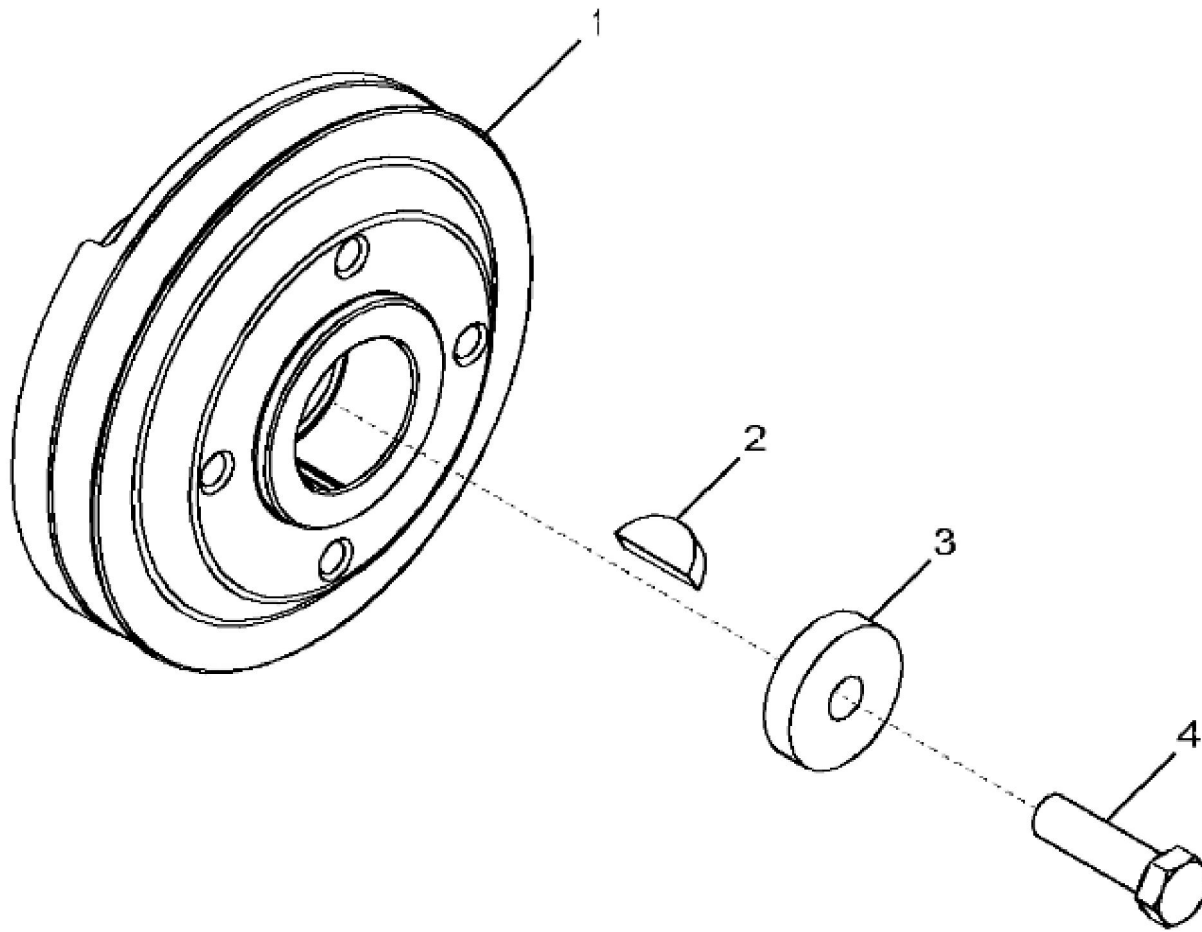


John Deere > Turf And Utility > TRACTOR > 5310 - TRACTOR > 5310 Tractor (3029HPY59\_RE569735 and 3029HPY60\_RE569736 with TSS Transmission, 3029HPY60\_DZ106808 with PR Transmission)(India Edition) > 20 ENGINE 3029HPY59-RE569735 > ST451674 - 1147 ROCKER ARM COVER

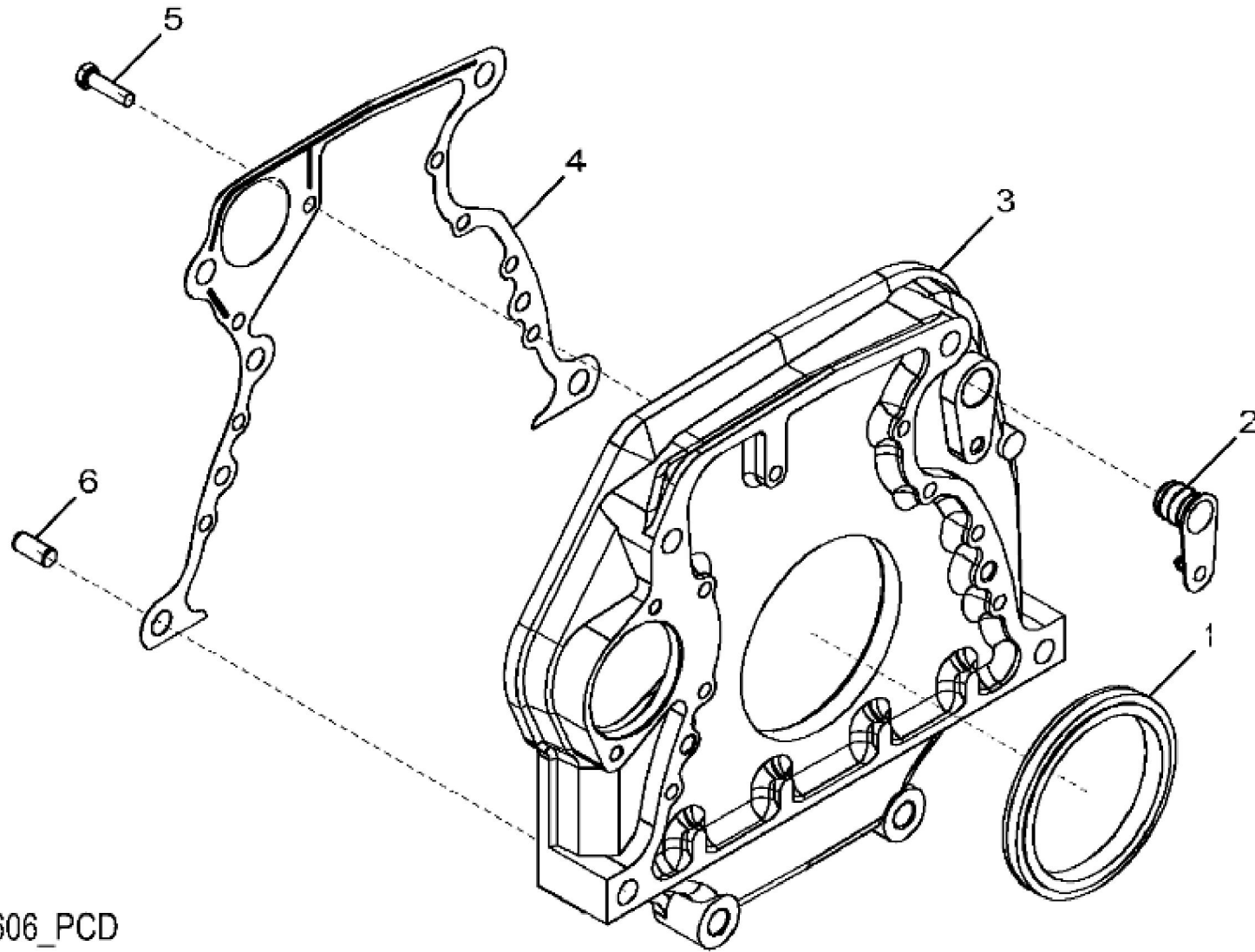
| KEY | PART NO. | PART NAME         | QTY | REMARKS                             |  |
|-----|----------|-------------------|-----|-------------------------------------|--|
| 1   | AR100124 | SCREW WITH WASHER | 6   |                                     |  |
| 2   | RE526534 | COVER             | 1   |                                     |  |
| 3   | R90788   | PLUG              | 1   |                                     |  |
| 4   | T20328   | GASKET            | 1   |                                     |  |
| 5   | R75729   | GASKET            | 1   | (Not Illustrated) USE WITH RE526534 |  |



1308\_RE48186\_PCD

John Deere > Turf And Utility > TRACTOR > 5310 - TRACTOR > 5310 Tractor (3029HPY59\_RE569735 and 3029HPY60\_RE569736 with TSS Transmission, 3029HPY60\_DZ106808 with PR Transmission)(India Edition) > 20 ENGINE 3029HPY59-RE569735 > ST465165 - 1308 CRANKSHAFT PULLEY

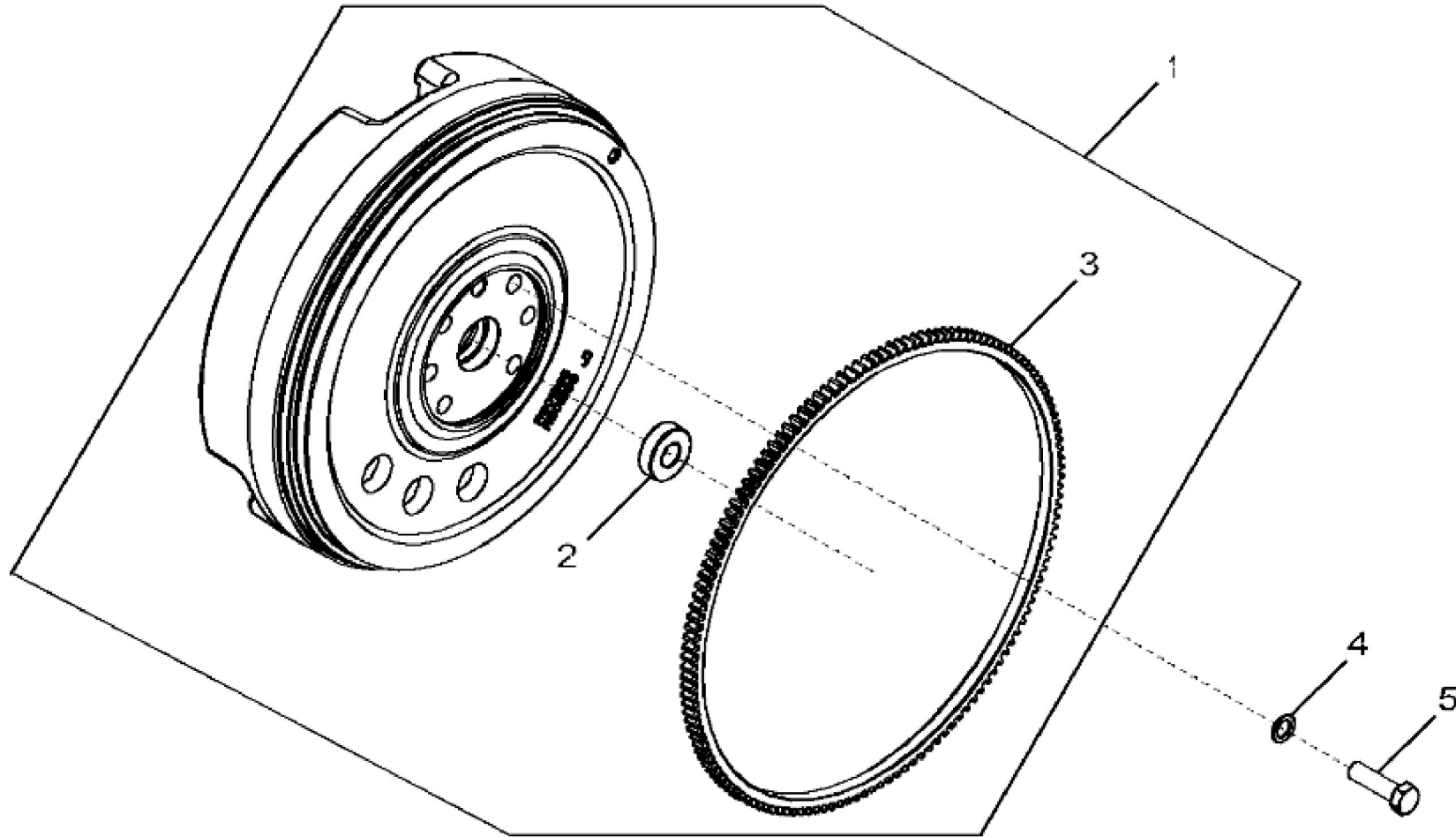
| KEY | PART NO. | PART NAME | QTY | REMARKS        |  |
|-----|----------|-----------|-----|----------------|--|
| 1   | R501223  | PULLEY    | 1   |                |  |
| 2   | 26H27    | SHAFT KEY | 1   | 5/16" X 1-1/8" |  |
| 3   | R109086  | SPACER    | 1   |                |  |
| 4   | 19H2473  | CAP SCREW | 1   | 1/2" X 1-3/4"  |  |



1467\_RE527606\_PCD

John Deere > Turf And Utility > TRACTOR > 5310 - TRACTOR > 5310 Tractor (3029HPY59\_RE569735 and 3029HPY60\_RE569736 with TSS Transmission, 3029HPY60\_DZ106808 with PR Transmission)(India Edition) > 20 ENGINE 3029HPY59-RE569735 > ST614045 - 1467 FLYWHEEL HOUSING

| KEY | PART NO. | PART NAME | QTY | REMARKS       |  |
|-----|----------|-----------|-----|---------------|--|
| 1   | RE35885  | SEAL      | 1   |               |  |
| 2   | R131765  | PLUG      | 1   |               |  |
| 3   | R120751  | HOUSING   | 1   |               |  |
| 4   | R97351   | GASKET    | 1   |               |  |
| 5   | 19H3219  | CAP SCREW | 8   | 3/8" X 1-3/8" |  |
| 6   | R48685   | DOWEL PIN | 2   |               |  |



1577\_RE506175\_PCD

Thank you so much for reading.  
Please click the “Buy Now!”  
button below to download the  
complete manual.



After you pay.

You can download the most  
perfect and complete manual in  
the world immediately.

Our support email:

[ebooklibonline@outlook.com](mailto:ebooklibonline@outlook.com)