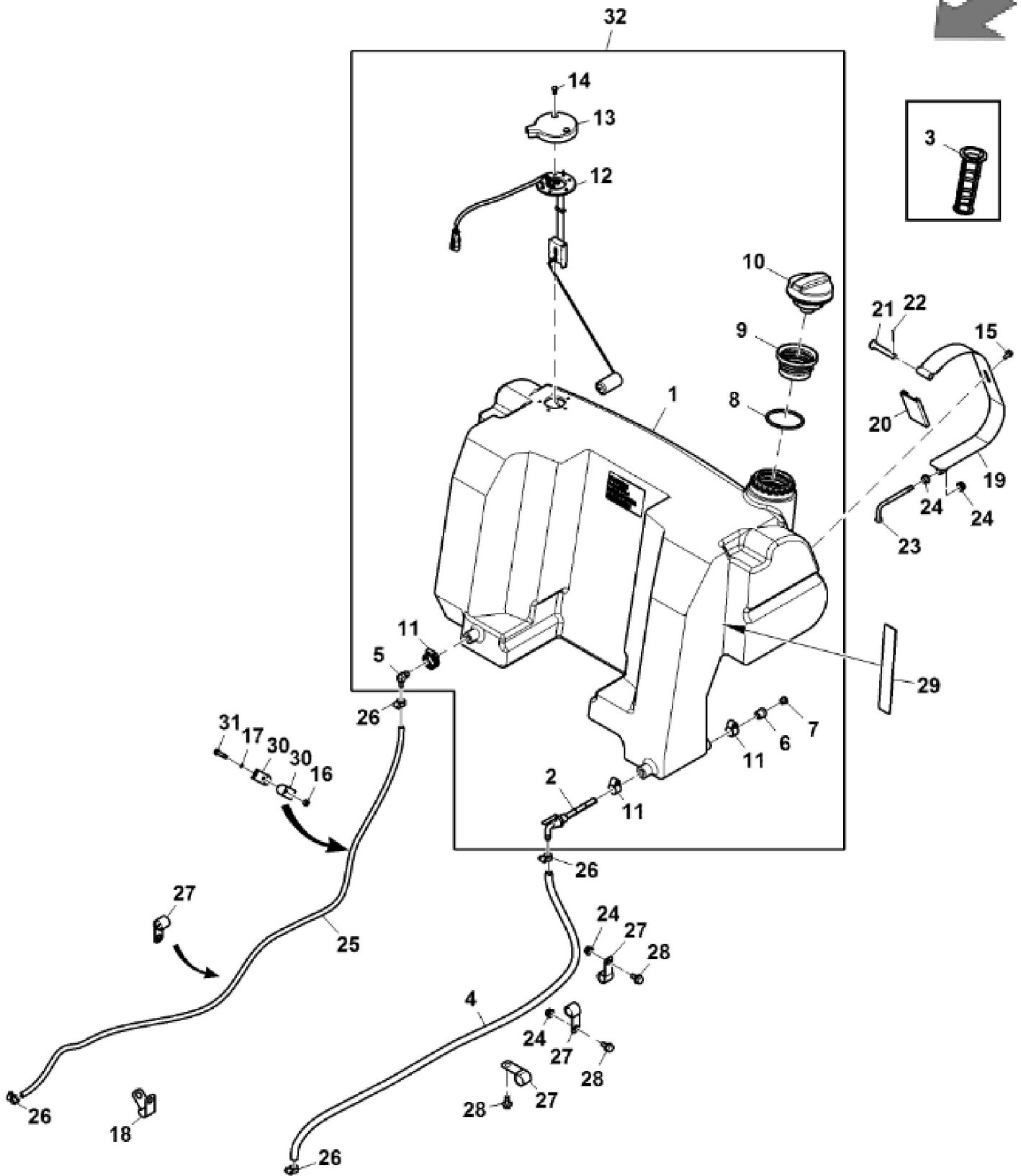
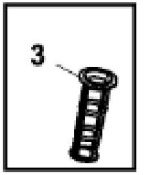


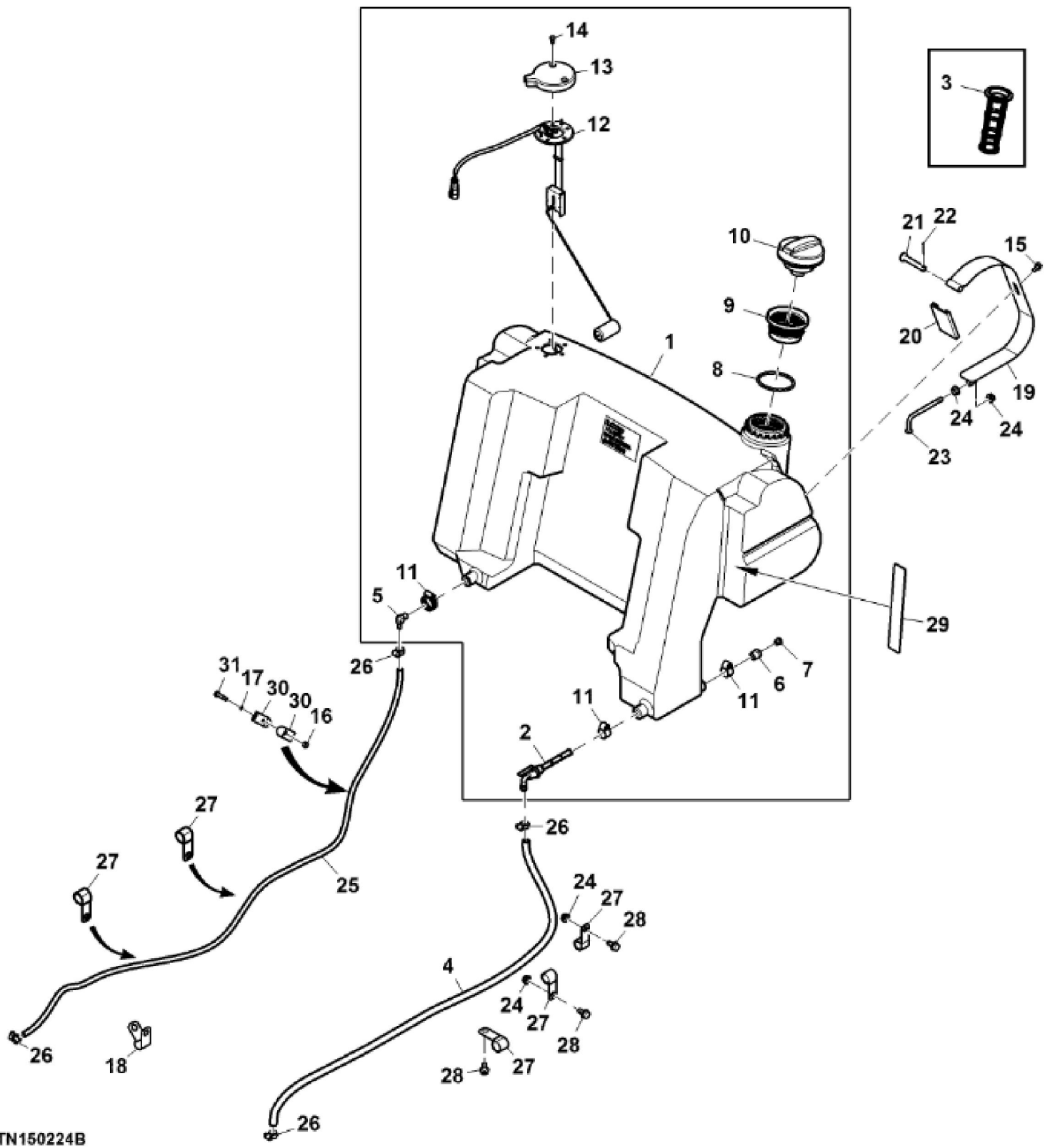
N4269206

KEY	PART NO.	PART NAME	QTY	REMARKS	
1	SJ26585	DIESEL ENGINE	1	(With Air Pump)	

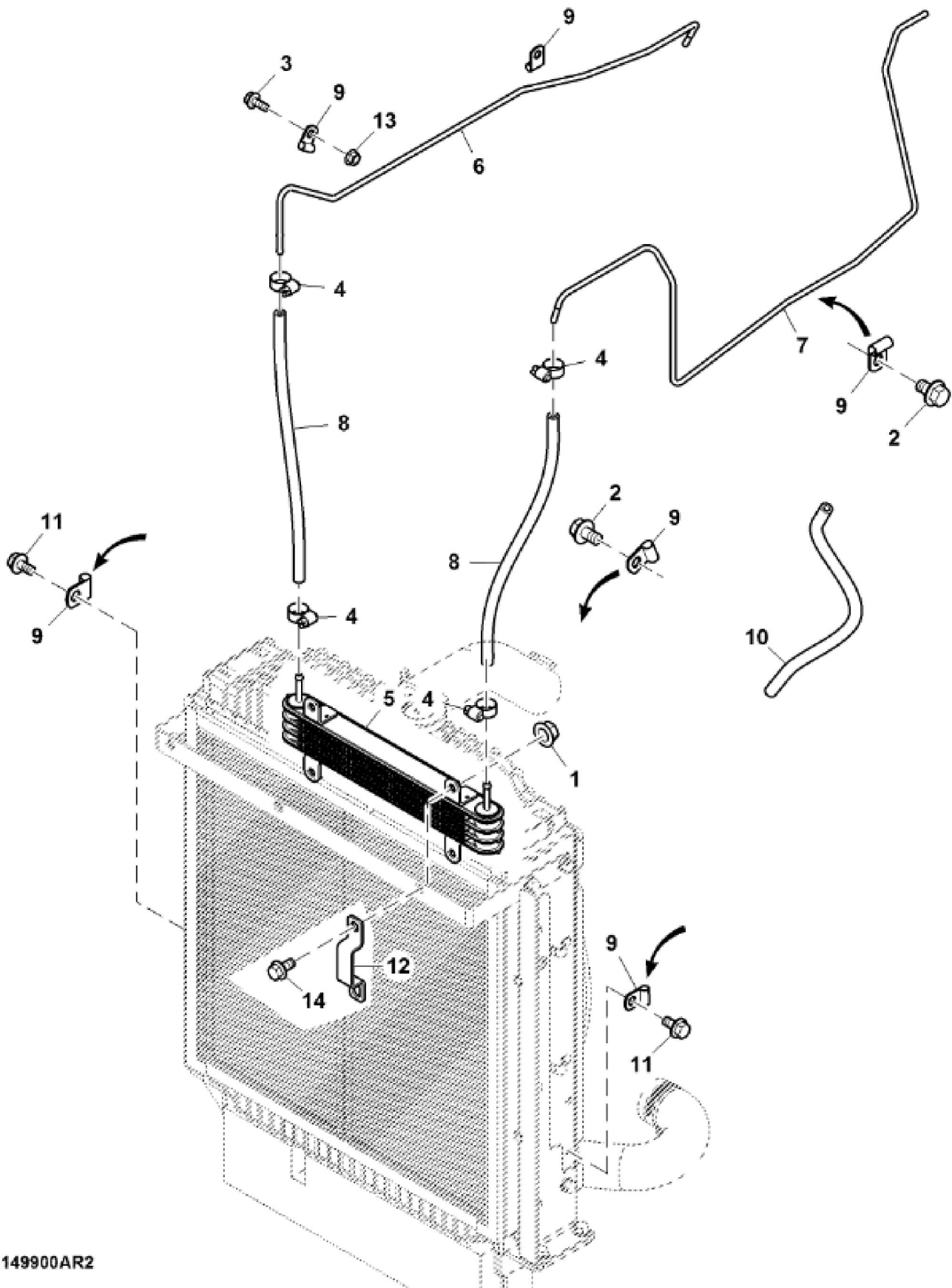


ETN150222B

KEY	PART NO.	PART NAME	QTY	REMARKS
1	SJ22381	FUEL TANK	1	
2	SJ32005	VALVE	1	
3	SJ317658	FILTER	1	
4	SU45888	HOSE	1	
5	SU50698	FITTING	1	SUB FOR R275565
6	N30405	ADAPTER FITTING	1	
7	L2646N	PIPE PLUG	1	
8	L112337	SEALING WASHER	1	
9	SU47688	FILLER NECK	1	
10	SJ13123	CAP	1	
11	AR21837	HOSE CLAMP	3	
12	SJ25637	FUEL SENDER	1	
13	SU41754	COVER	1	
14	21M7265	SCREW	5	M5 X 12
15	19M7774	SCREW	2	M6 X 12
16	14M7567	NUT	1	M6
17	SU318989	LOCK WASHER	1	
18	SU50245	CLAMP	1	
19	SJ22383	STRAP	2	
20	R278071	GASKET	2	
21	R200732	PIN FASTENER	2	
22	11M7059	COTTER PIN	2	3.200 X 20 mm
23	SU44803	BOLT	2	
24	14M7298	FLANGE NUT	6	M8
25	SU46845	HOSE	1	
26	R218881	CLAMP	4	
27	SU31678	CLAMP	5	
28	19M7865	SCREW	3	M8 X 16
29	SU37181	MAT	2	
30	SU49022	CLAMP	2	
31	19M10107	SCREW	1	M6 X 25
32	SJ25709	FUEL TANK	1	



KEY	PART NO.	PART NAME	QTY	REMARKS
1	SJ22397	FUEL TANK	1	
2	SJ32005	VALVE	1	
3	SJ317658	FILTER	1	
4	SU45888	HOSE	1	
5	SU50698	FITTING	1	SUB FOR R275565
6	N30405	ADAPTER FITTING	1	
7	L2646N	PIPE PLUG	1	
8	L112337	SEALING WASHER	1	
9	SU47688	FILLER NECK	1	
10	SJ13123	CAP	1	
11	NF100999	HOSE CLAMP	3	
12	SJ25638	FUEL SENDER	1	
13	SU41754	COVER	1	
14	21M7265	SCREW	5	M5 X 12
15	19M7774	SCREW	2	M6 X 12
16	14M7567	NUT	1	M6
17	SU318989	LOCK WASHER	1	
18	SU50245	CLAMP	1	
19	SJ22383	STRAP	2	
20	R278071	GASKET	2	
21	R200732	PIN FASTENER	2	
22	11M7059	COTTER PIN	2	3.200 X 20 mm
23	SU44803	BOLT	2	
24	14M7298	FLANGE NUT	6	M8
25	SU46845	HOSE	1	
26	R218881	CLAMP	4	
27	SU31678	CLAMP	5	
28	19M7865	SCREW	3	M8 X 16
29	SU37181	MAT	2	
30	SU49022	CLAMP	2	
31	19M10107	SCREW	1	M6 X 25
32	SJ25708	FUEL TANK	1	



ETN149900AR2

Thank you so much for reading.
Please click the “Buy Now!”
button below to download the
complete manual.



After you pay.

You can download the most
perfect and complete manual in
the world immediately.

Our support email:

ebooklibonline@outlook.com