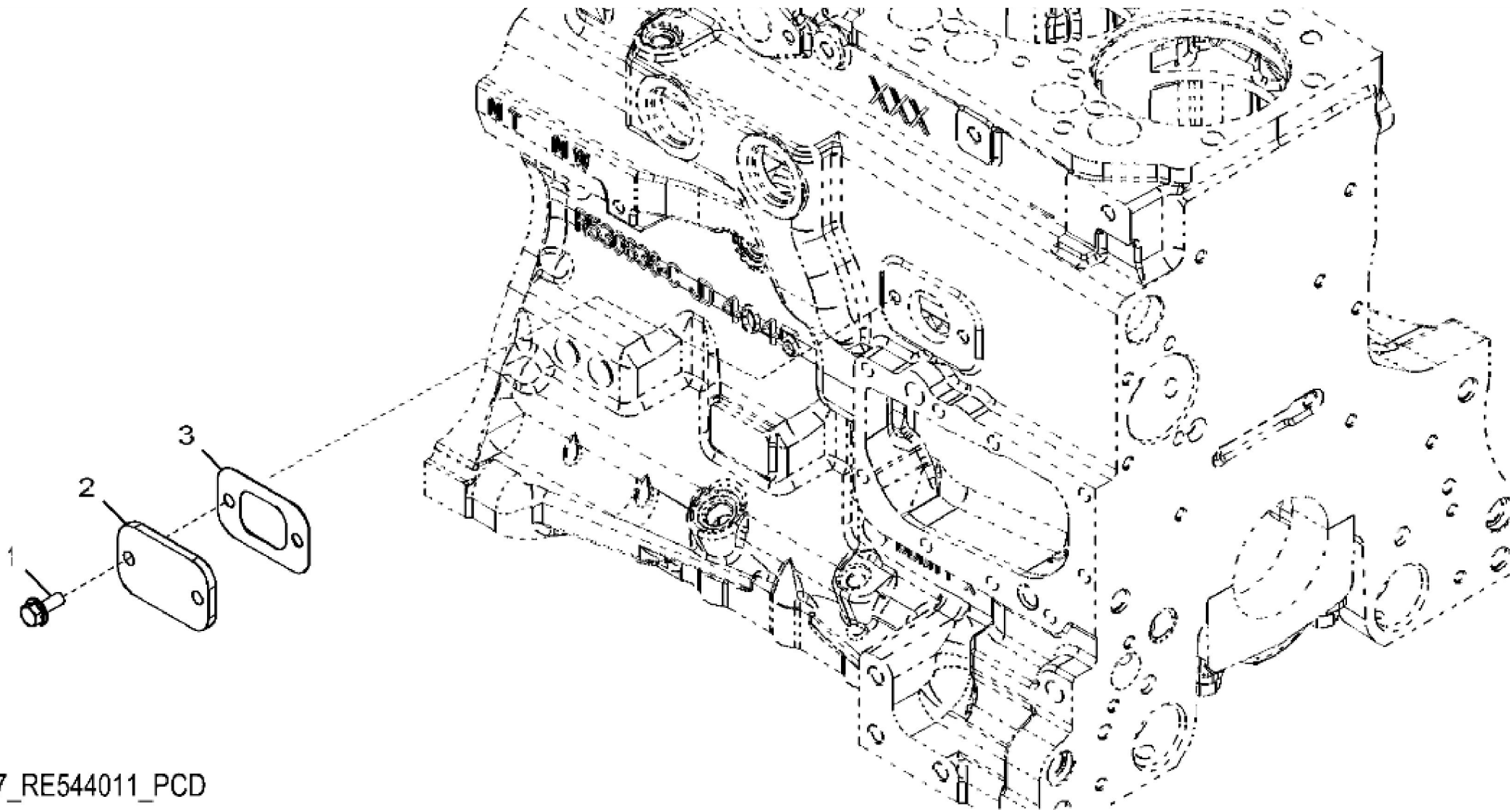


ARM COVER

| KEY | PART NO. | PART NAME | QTY | REMARKS | |
|-----|----------|-------------|-----|----------------------------------|--|
| 1 | R524499 | GASKET | 1 | | |
| 2 | 19M7775 | SCREW | 2 | M6 X 16 | |
| 3 | R515555 | DEFLECTOR | 1 | | |
| 4 | R543296 | HOSE | 1 | | |
| 5 | TY22462 | CLAMP | 1 | | |
| 6 | RE561710 | VALVE COVER | 1 | MARKED R540192 | |
| 7 | RE542918 | VALVE | 1 | USE WITH RE561710 | |
| 8 | R123575 | O-RING | 5 | | |
| 9 | R521390 | SCREW | 5 | | |
| 10 | H23125 | PLUG | 5 | | |
| 11 | R529614 | VALVE COVER | 1 | ORDER RE561710 | |
| 12 | R532038 | VALVE | 1 | ORDER RE542918; USE WITH R529614 | |

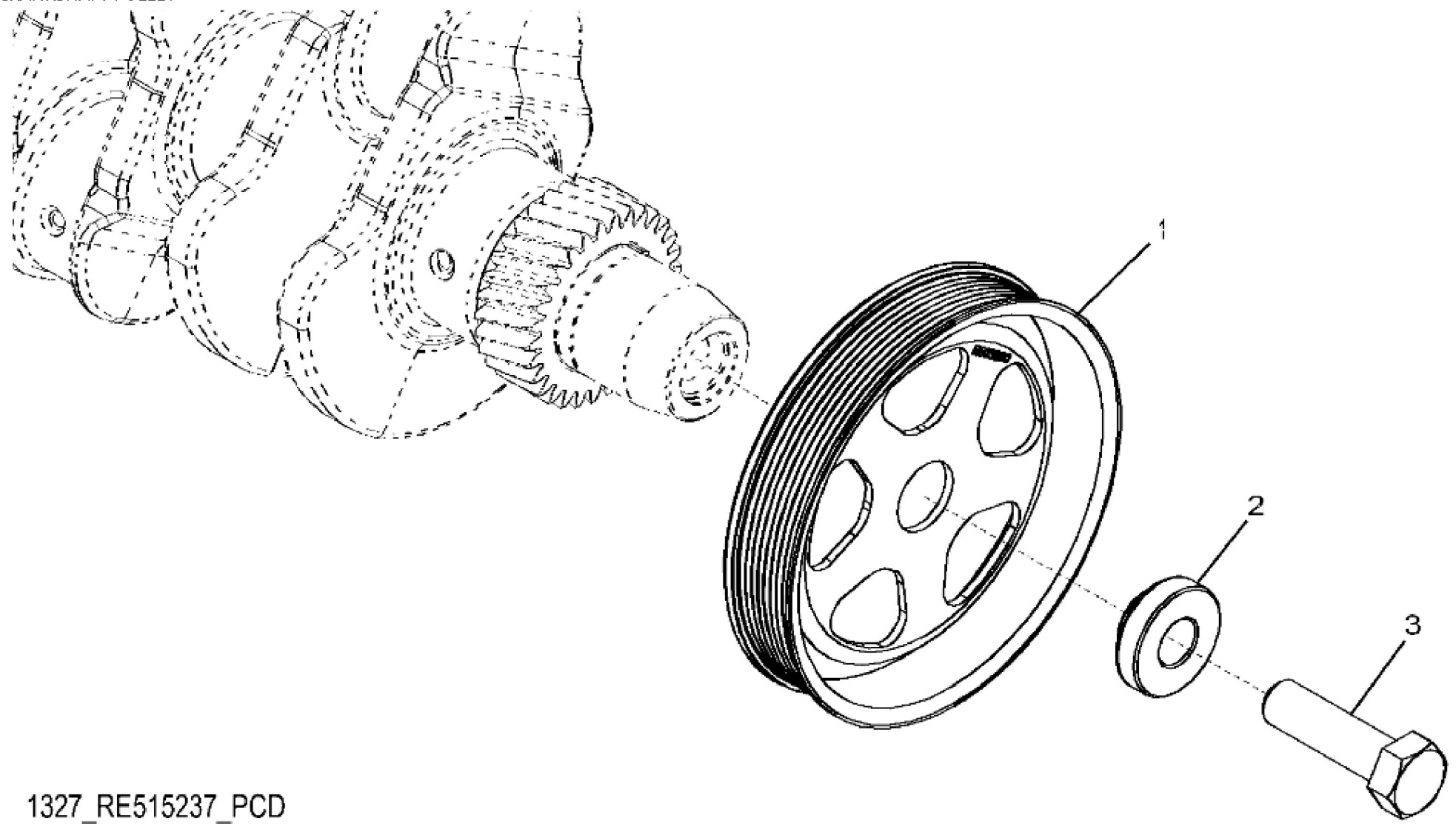


1297_RE544011_PCD

FILLER COVER

| KEY | PART NO. | PART NAME | QTY | REMARKS | |
|-----|----------|-----------|-----|------------------------------------|--|
| 1 | RE67238 | SCREW | 2 | (Threads With Pre-Applied Sealant) | |
| 2 | R116296 | COVER | 1 | | |
| 3 | R136495 | GASKET | 1 | | |

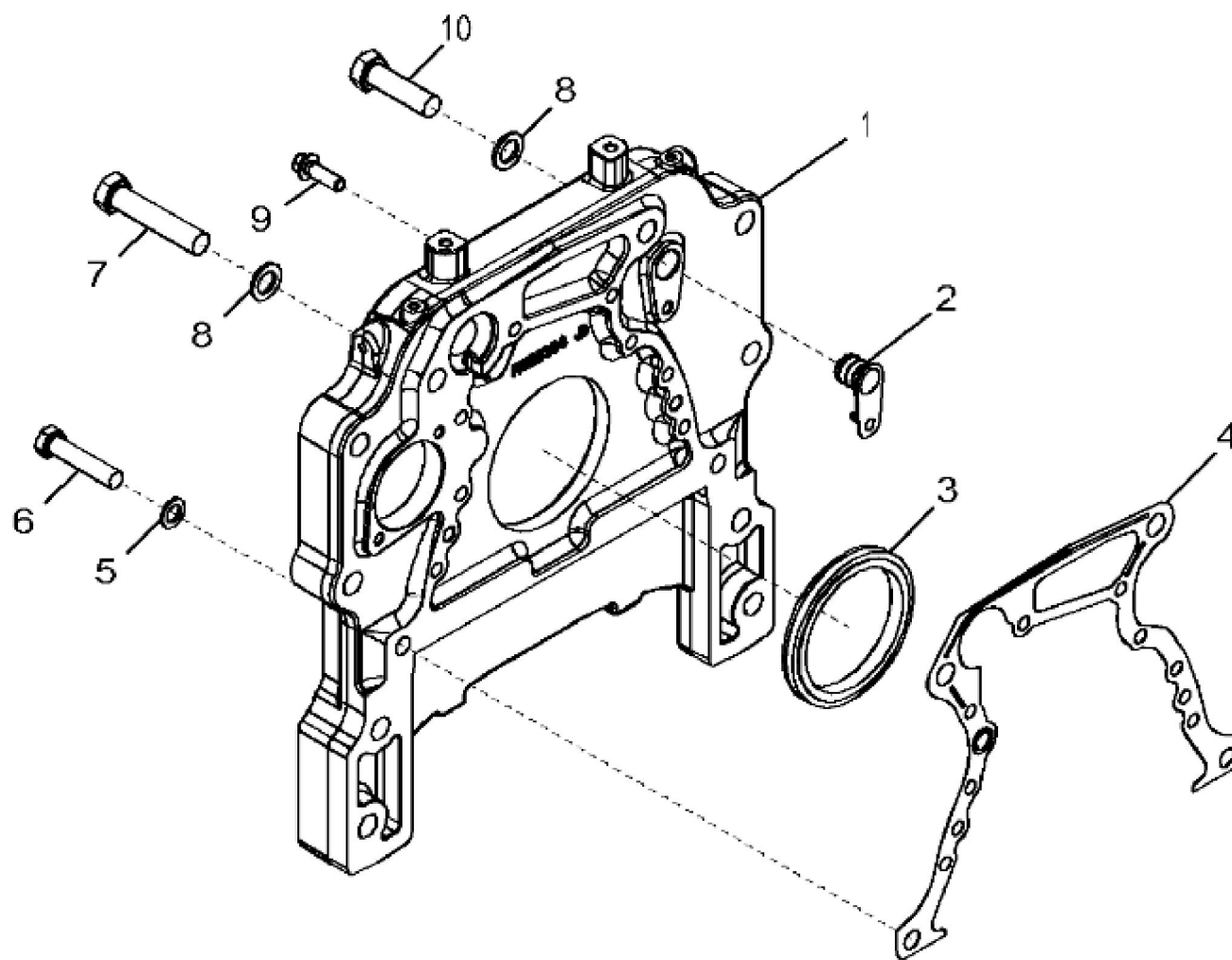
CRANKSHAFT PULLEY



1327_RE515237_PCD

CRANKSHAFT PULLEY

| KEY | PART NO. | PART NAME | QTY | REMARKS | |
|-----|----------|-----------|-----|-------------|--|
| 1 | R503880 | PULLEY | 1 | OD = 188 mm | |
| 2 | R515040 | BUSHING | 1 | OD = 50 mm | |
| 3 | R516648 | CAP SCREW | 1 | M20 X 70 | |



1469_RE529547_PCD

Thank you so much for reading.
Please click the “Buy Now!”
button below to download the
complete manual.



After you pay.

You can download the most
perfect and complete manual in
the world immediately.

Our support email:

ebooklibonline@outlook.com