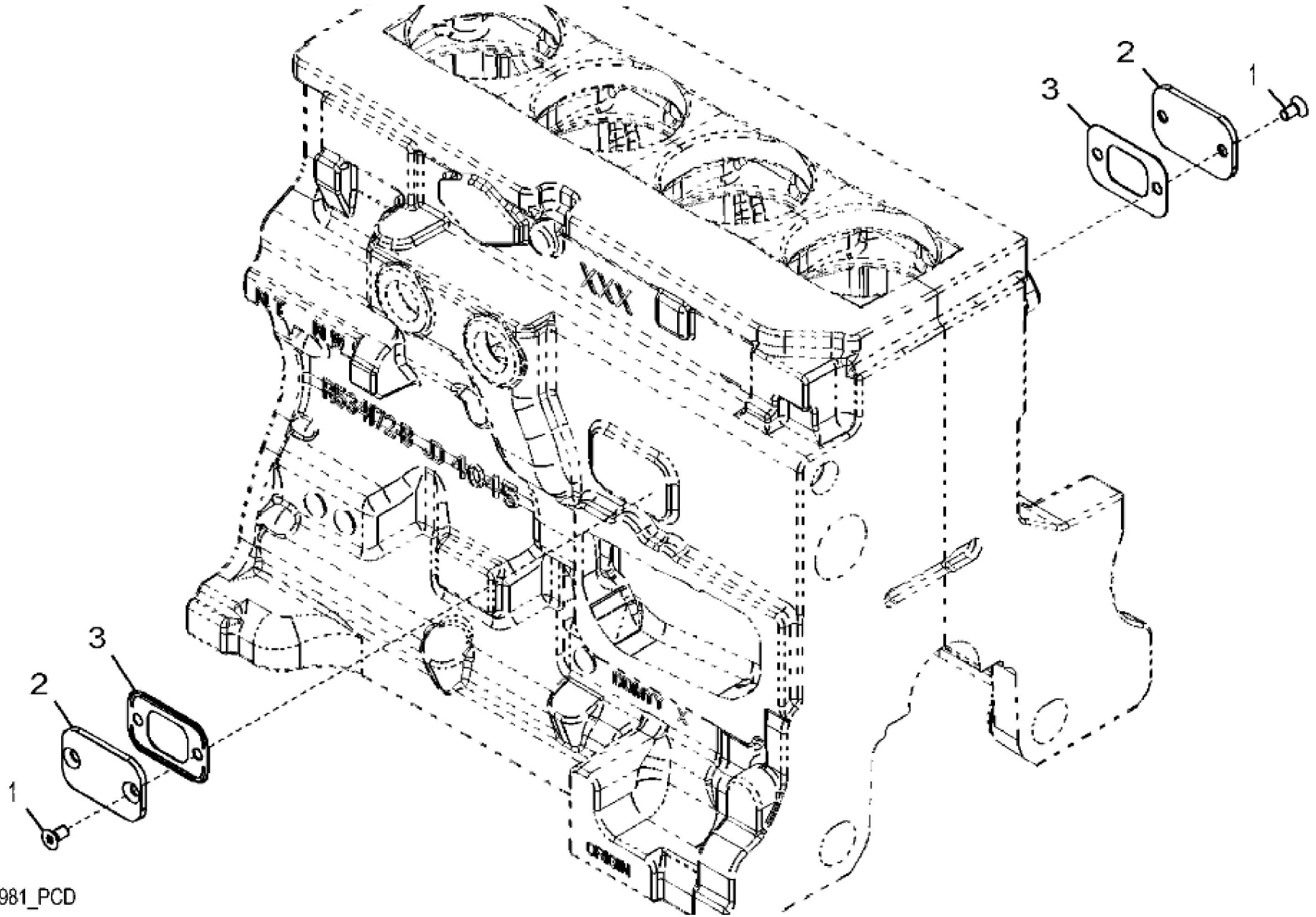


John Deere > Turf And Utility >TRACTOR >6155M - TRACTOR >6155M Tractor (Europe Edition, Engine SN: 6068GXXXXXX)(Tier 2)(S.N. 860524-) >EN ENGINE 6068HL289-DZ105553-ETN150959 >EN00
ENGINE 6068HL289-DZ105553-ETN150959 6068HL289 >ST808718 - 1157 ROCKER ARM COVER

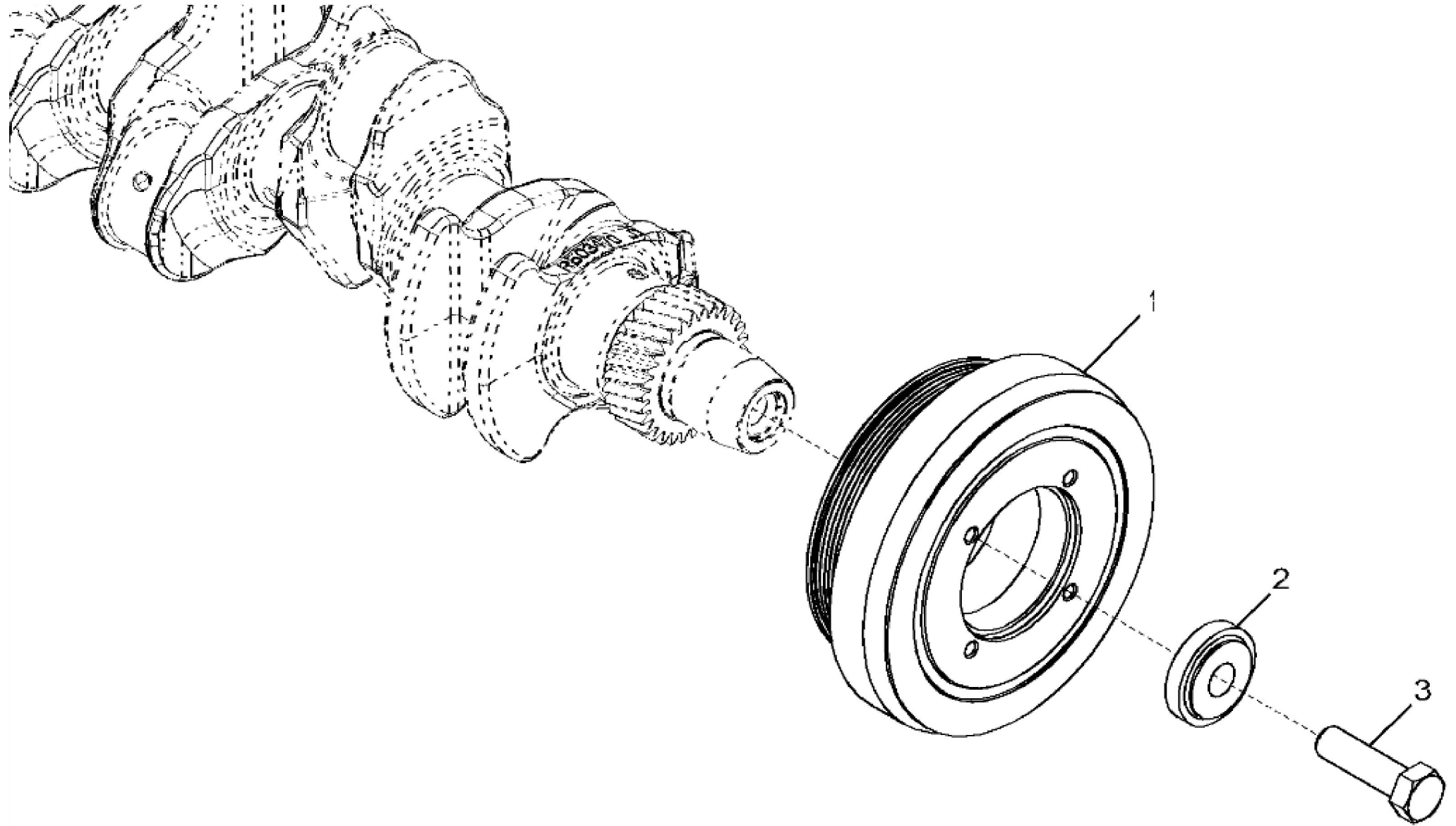
KEY	PART NO.	PART NAME	QTY	REMARKS	
1	RE527858	SCREW	3		
2	R522410	HEAT SHIELD	1		
3	H23125	PLUG	6		
4	R123574	NUT	6		
5	R123575	O-RING	6		
6	R520731	VALVE COVER	1		
7	R523926	GASKET	1	ORDER R524469	
7	R524469	GASKET	1		
8	RE528742	DEFLECTOR	1		
9	19M7862	SCREW	1	M6 X 20	



1279_ETN137981_PCD

John Deere > Turf And Utility > TRACTOR > 6155M - TRACTOR > 6155M Tractor (Europe Edition, Engine SN: 6068GXXXXXX)(Tier 2)(S.N. 860524-) > EN ENGINE 6068HL289-DZ105553-ETN150959 > EN00
ENGINE 6068HL289-DZ105553-ETN150959 6068HL289 > ST829061 - 1279 OIL FILLER NECK COVER

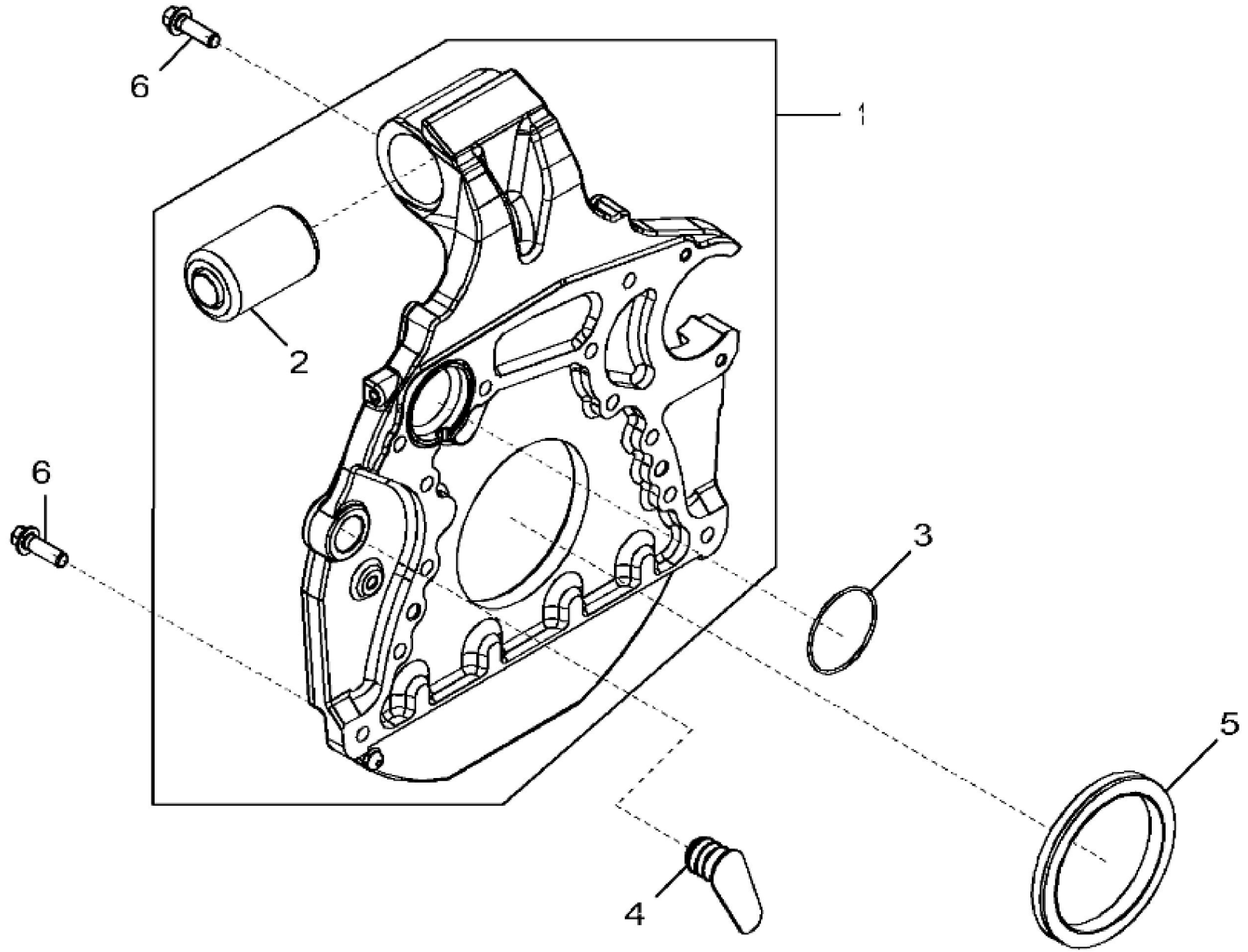
KEY	PART NO.	PART NAME	QTY	REMARKS	
1	RE70306	SCREW	4		
2	R135262	COVER	2		
3	R136495	GASKET	2		



1341_RE537577_PCD

John Deere > Turf And Utility > TRACTOR > 6155M - TRACTOR > 6155M Tractor (Europe Edition, Engine SN: 6068GXXXXXX)(Tier 2)(S.N. 860524-) > EN ENGINE 6068HL289-DZ105553-ETN150959 > EN00
ENGINE 6068HL289-DZ105553-ETN150959 6068HL289 > ST275176 - 1341 CRANKSHAFT PULLEY

KEY	PART NO.	PART NAME	QTY	REMARKS	
1	DZ103168	PULLEY WITH DAMPENER	1	OD = 188 mm, SUB FOR RE537578	
2	R517237	BUSHING	1		
3	R516648	CAP SCREW	1	(One Time Usage)	



Thank you so much for reading.
Please click the “Buy Now!”
button below to download the
complete manual.



After you pay.

You can download the most
perfect and complete manual in
the world immediately.

Our support email:

ebooklibonline@outlook.com