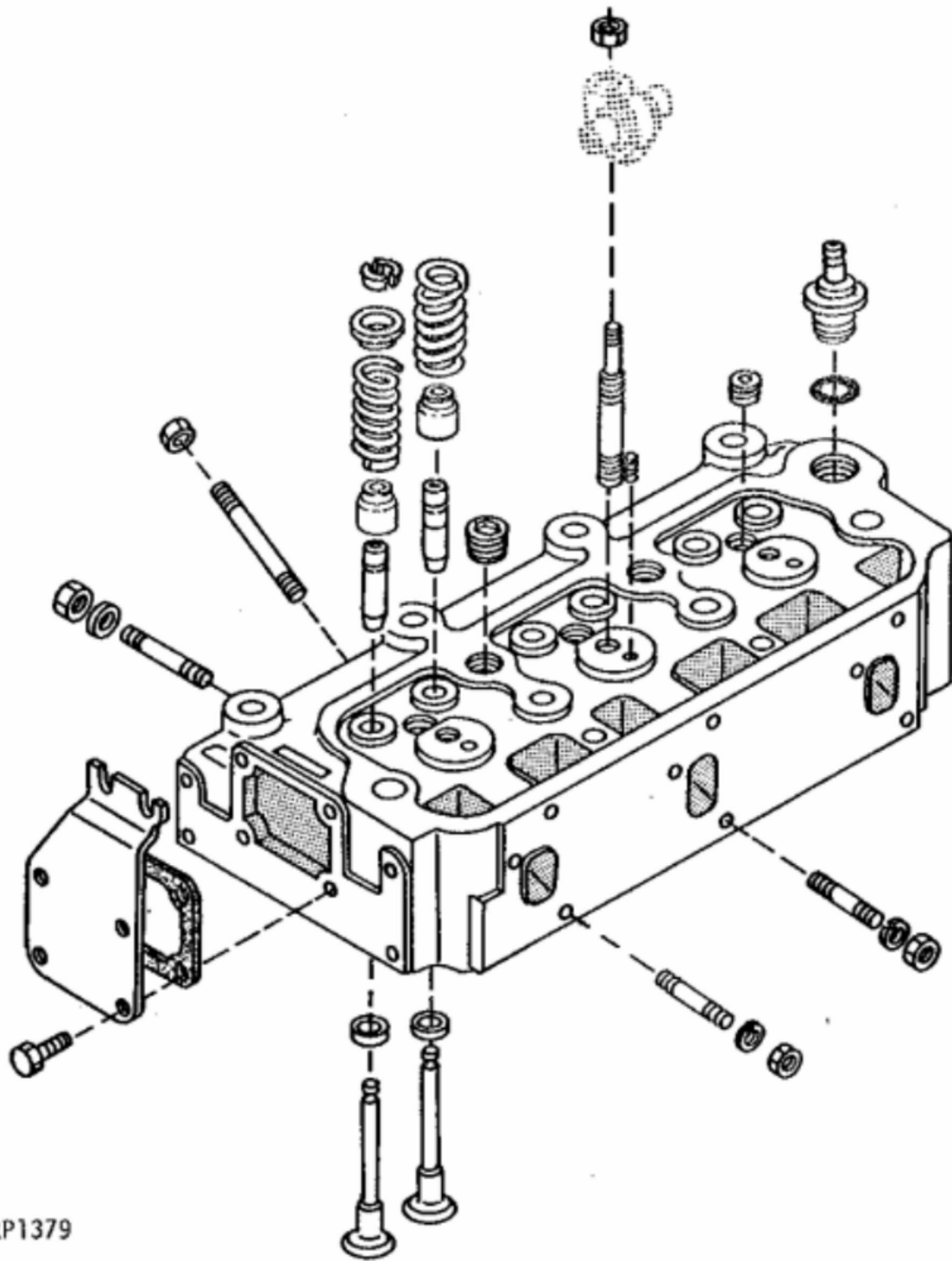


RWP1992

John Deere > Turf And Utility >TRACTOR, COMPACT UTILITY >1050 - TRACTOR, COMPACT UTILITY >1050 (-011000) Compact Utility Tractor >20 ENGINE >ST553282 - CYLINDER HEAD VALVES AND
ROCKER ARMS

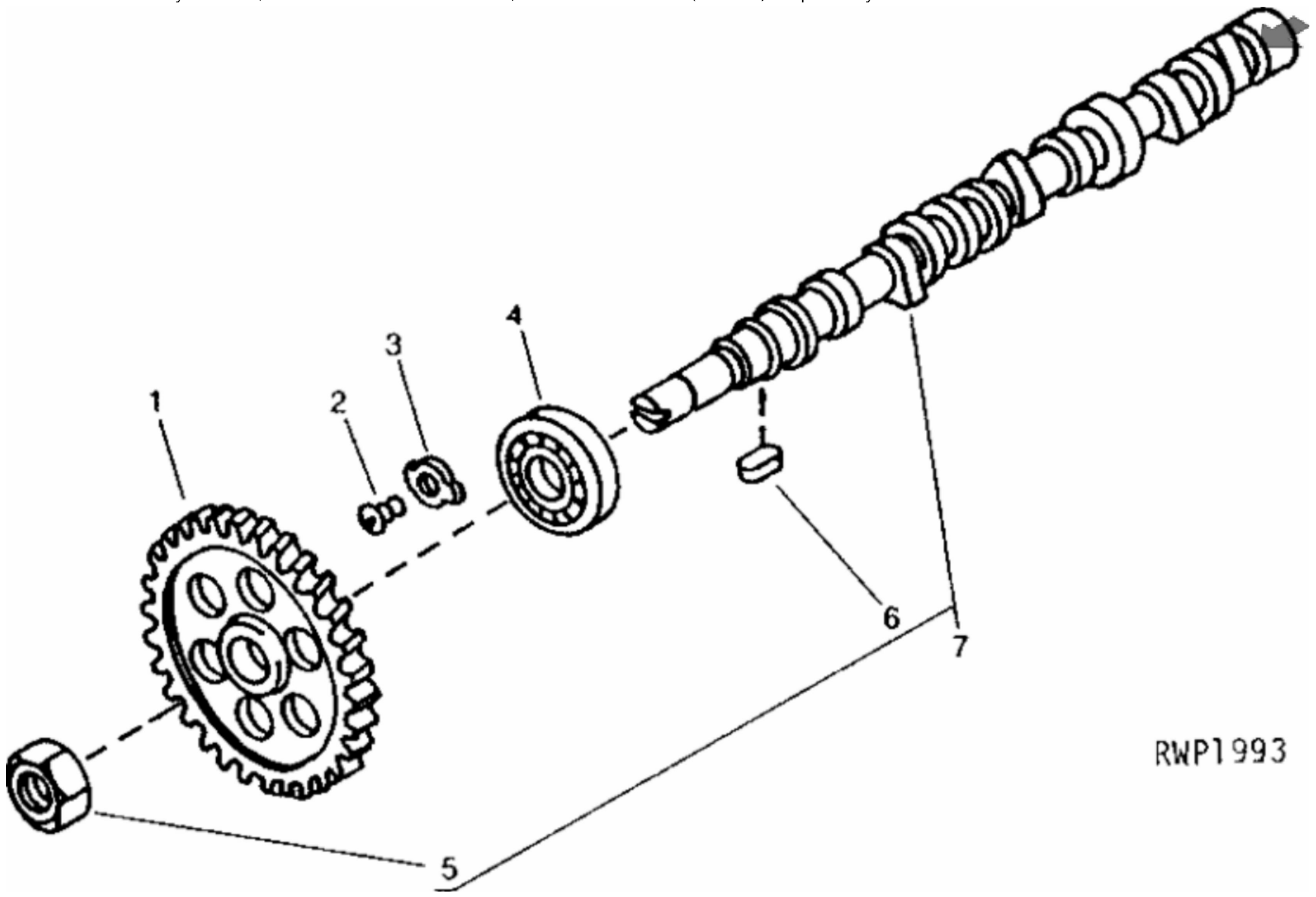
KEY	PART NO.	PART NAME	QTY	Engine Serial No.	REMARKS
1	19M7302	CAP SCREW	6		M6 X 8
2	24M7100	WASHER	6		6.600 X 22 X 2 mm, (SUB FOR CH10345)
3	CH10107	SCREW	6		
4	CH12843	BUSHING	6		
5	14M7273	NUT	6		M8
6	CH12916	ROCKER ARM	2		EXHAUST, NO. 1 AND 2, NLA
7	CH10449	NUT	3		
8	CH12844	SUPPORT	3		
9	CH12915	ROCKER ARM	2		INTAKE, NO. 1 AND 2
10	CH12917	ROCKER ARM	1		EXHAUST, NO. 3, NLA
11	CH12918	ROCKER ARM	1		INTAKE, NO. 3, NLA
12	14M7273	NUT	8		M8
13	24M7055	WASHER	2		8.400 X 16 X 1.600 mm
14	CH10206	STUD	2		
15	CH12381	STUD	10		M8 X 50
16	CH19595	GUIDE	3		EXHAUST (SUB FOR CH12902 OR CH16046)
17	CH10450	SEAL	6		
18	CH10093	SPRING	6		
19	CH10066	HOLDER	6		
20	CH10067	RETAINER	6		NLA, (ORDER AM878862)
21	CH12586	CAP	6		
22	M801227	GUIDE	3		INTAKE (SUB FOR CH12901 OR CH16045)
23	CH10560	PLUG	2		
24	CH10098	STUD	3		
25	CH18079	SPRING PIN	3		6AW X 12
26	15H559	PIPE PLUG	3		1/4"
27	CH19842	VALVE	1		(SUB FOR CH12903)
28	CH11811	PACKING	1		
29	CH10407	PUSH ROD	6		
30	CH10069	FOLLOWER	6		
31	M808712	GASKET	1		(SUB FOR CH12897 OR M810713)
32	CH12909	STUD	2		M8 X 80
33	12M7065	LOCK WASHER	6		8 mm

KEY	PART NO.	PART NAME	QTY	Engine Serial No.	REMARKS
34	14M7273	NUT	6		M8
35	CH12381	STUD	4		M8 X 50
36	CH12956	INSERT	3	____-084971	45°
36	CH16038	INSERT	3	084972-____	30°, NLA
37	CH15724	INTAKE VALVE	3	____-084971	45°, (SUB FOR CH12873)
37	CH16037	INTAKE VALVE	3	048972-____	30°
38	CH15725	EXHAUST VALVE	3		45°, (SUB FOR CH12874)
39	CH12957	INSERT	3		45°
40	CH10402	GASKET	1		
41	CH12849	BRACKET	1		
42	19M7964	CAP SCREW	4		M8 X 12



RP1379

KEY	PART NO.	PART NAME	QTY	REMARKS	
1	AM877955	CYLINDER HEAD	1	(SUB FOR CH12919, CH16040 OR CH19589)	



RWP1993

KEY	PART NO.	PART NAME	QTY	REMARKS	
1	CH10229	GEAR	1	NLA	
2	21M7361	SCREW	1	M8 X 12	
3	CH10193	RETAINER	1	NLA	
4	CH14887	BALL BEARING	1	(SUB FOR CH10505)	
5	CH10406	NUT	1	NLA	
6	CH10545	KEY	1	M7 X 18, NLA	
7	CH10675	CAMSHAFT	1	NLA	

Thank you so much for reading.
Please click the “Buy Now!”
button below to download the
complete manual.



After you pay.

You can download the most
perfect and complete manual in
the world immediately.

Our support email:

ebooklibonline@outlook.com