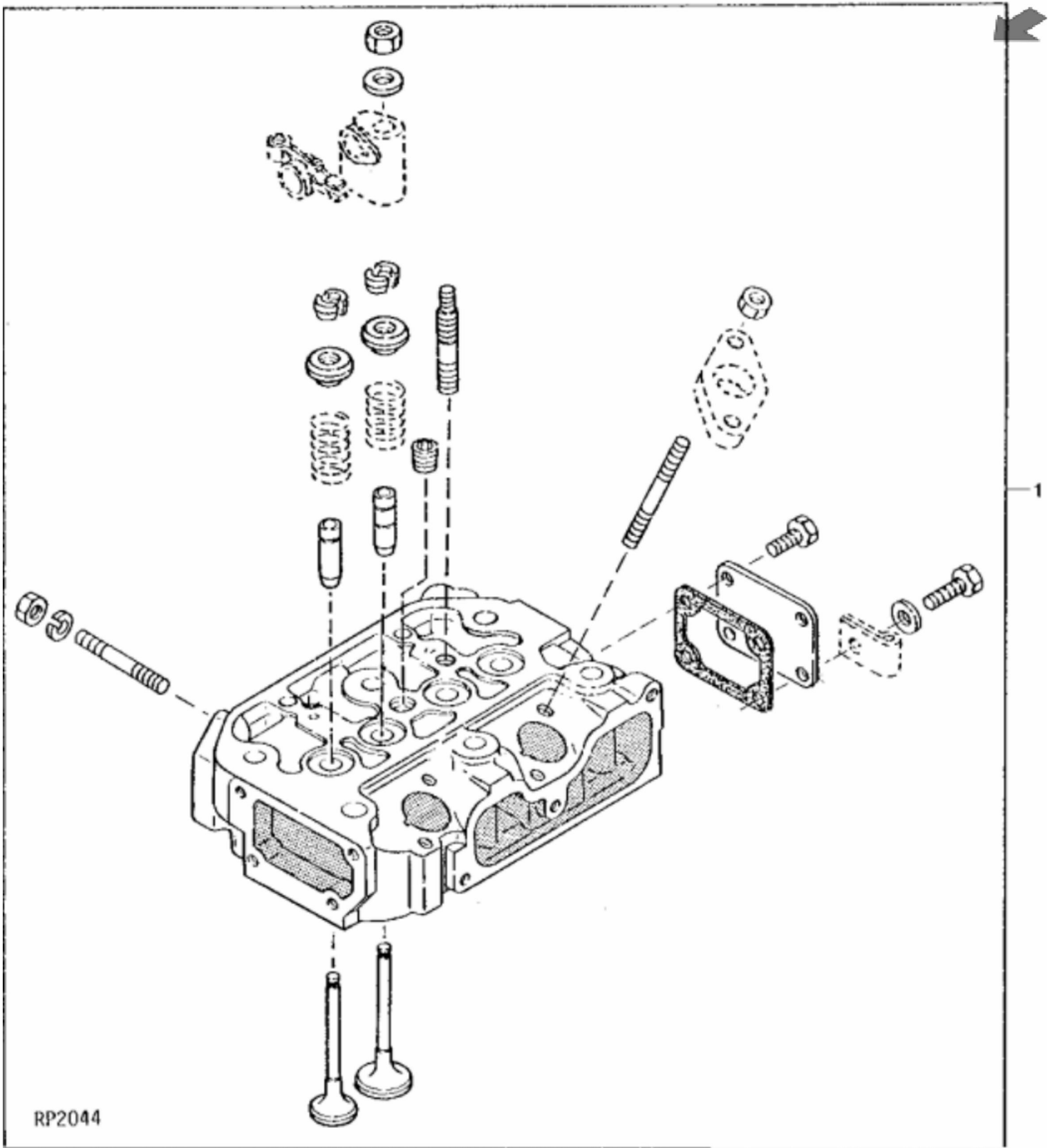


MP5240

John Deere > Turf And Utility >TRACTOR, COMPACT UTILITY >750 - TRACTOR, COMPACT UTILITY >650 and 750 Compact Utility Tractors >20 ENGINE >ST571385 - CYLINDER HEAD VALVES AND
ROCKER ARM (650)

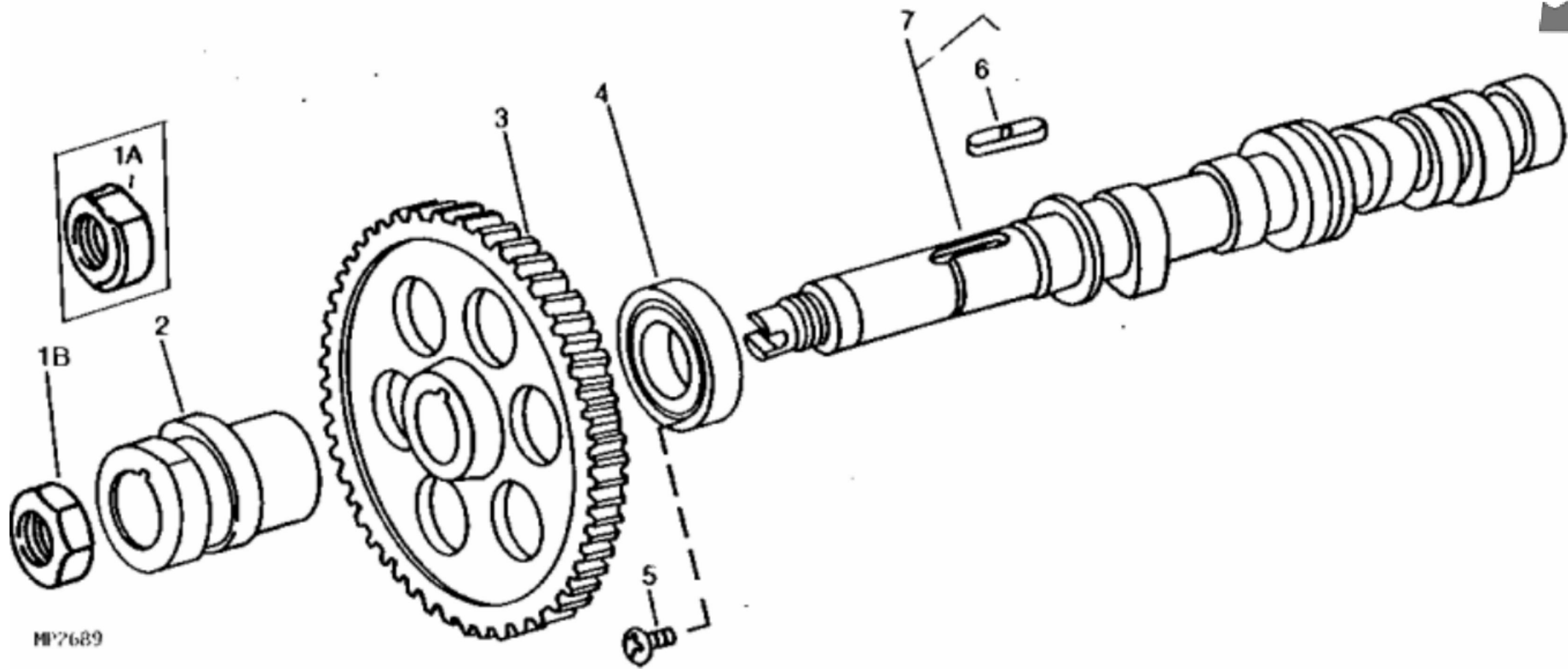
KEY	PART NO.	PART NAME	QTY	Engine Serial No.	REMARKS
1	CH15441	RETAINER	2		
2	CH15427	WASHER	4		
3	CH15421	SCREW	2		(NLA)
4	CH15438	BUSHING	2		
5	14M7273	NUT	2		M8
6	CH15614	ROCKER ARM	2		
7	CH15425	SUPPORT	1		
8	24M7028	WASHER	2		10.500 X 20 X 2 mm
9	CH12404	NUT	2		M10
10	CH15421	SCREW	2		(NLA)
11	CH15438	BUSHING	2		
12	14M7273	NUT	2		M8
13	CH15613	ROCKER ARM	2		
14	CH15427	WASHER	4		
15	CH15426	SPRING	1		
16	H836R	BALL	2		11/32"
17	CH15422	ROCKER ARM SHAFT	1		
18	CH15424	SUPPORT	1		
19	CH15444	SCREW	1		M8 X 10, (NLA)
20	CH12585	CAP	4		
21	AM100828	RETAINER KIT	2		(SUB FOR (4) CH10054)
22	CH15420	HOLDER	4		
23	CH15417	SPRING	4		
24	CH10346	SEAL	4		(SUB FOR CH15432)
25	CH15433	STUD	2		
26	CH15367	BOLT	4		M12 X 89
27	15H666	PIPE PLUG	1		3/8"
28	CH16041	GUIDE	2		(SUB FOR CH15418)
29	CH16042	GUIDE	2		(SUB FOR CH15419)
30	CH15369	BOLT	2	____-XXXXXX	M8 X 77, NLA(USE WITH CH15884)
30	CH16660	BOLT	2	XXXXXX-____	M8 X 88, (USE WITH CH16654)
31	CH15410	RETAINER	1		
32	CH10624	SCREW	1		M8 X 10, (NLA)

KEY	PART NO.	PART NAME	QTY	Engine Serial No.	REMARKS
33	M810468	GASKET	1		(SUB FOR CH15440)
34	CH15439	COVER	1		
35	19M7964	CAP SCREW	3		M8 X 12, (HEAD MARKED)
36	CH11601	BOLT	1		M8 X 14
37	24M7055	WASHER	1		8.400 X 16 X 1.600 mm
38	CH10419	CLAMP	1		
39	14M7273	NUT	4		M8
40	CH15443	STUD	4		M8 X 70
41	CH15918	PUSH ROD	4		
42	CH15466	TAPPET	4		NLA
43	MIU10631	ENGINE CYLINDER HEAD GASKET	1		(SUB FOR CH15371 OR M802217)
44	CH15415	INTAKE VALVE	2		
45	CH15416	EXHAUST VALVE	2		
46	CH15442	STUD	2		M8 X 70
47	12M7065	LOCK WASHER	2		8 mm
48	14M7273	NUT	2		M8
49	CH18079	SPRING PIN	2	008857-_____	



RP2044

KEY	PART NO.	PART NAME	QTY	REMARKS	
1	CH15615	CYLINDER HEAD	1	(NLA)	



Thank you so much for reading.
Please click the “Buy Now!”
button below to download the
complete manual.



After you pay.

You can download the most
perfect and complete manual in
the world immediately.

Our support email:

ebooklibonline@outlook.com