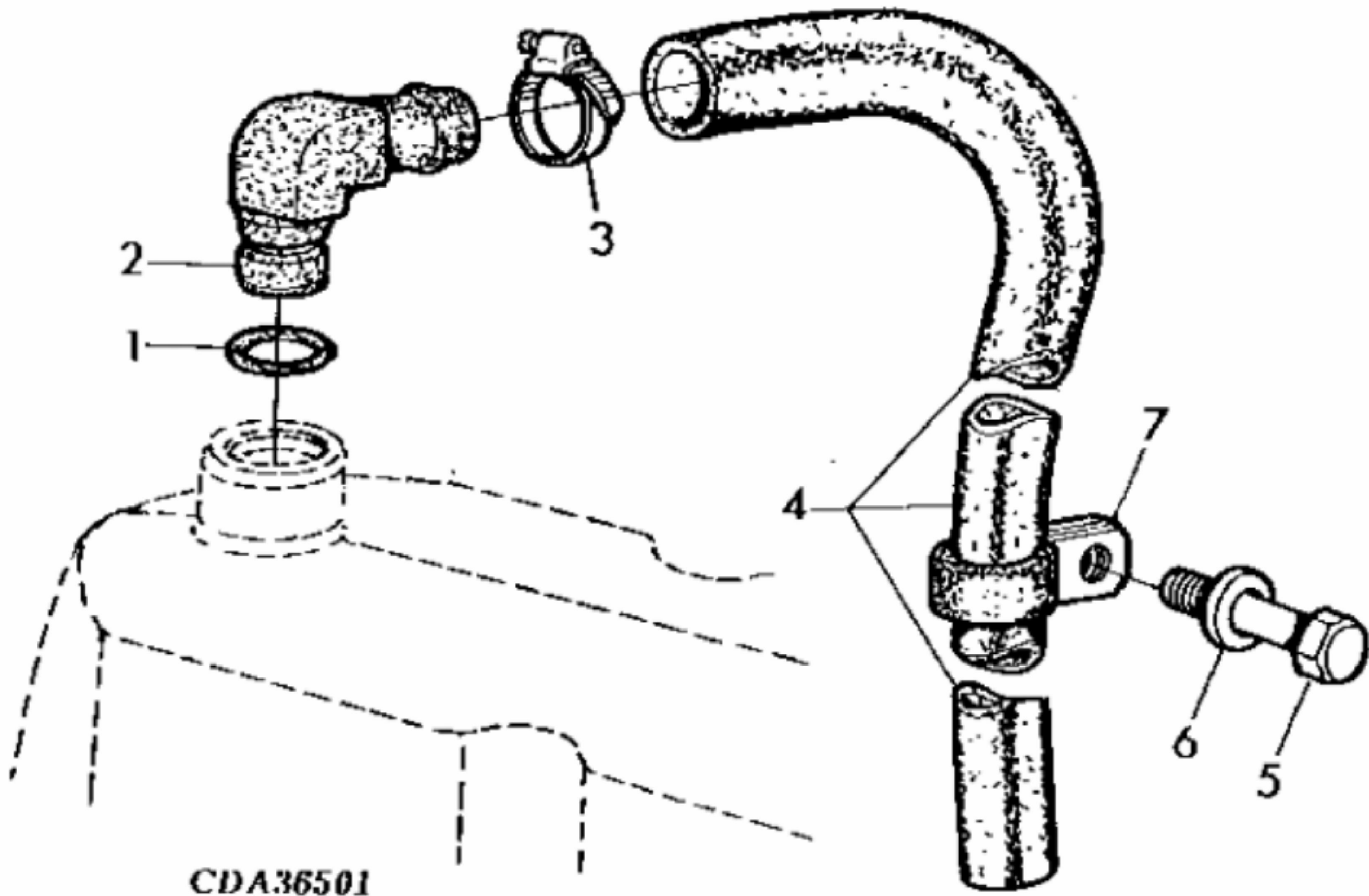
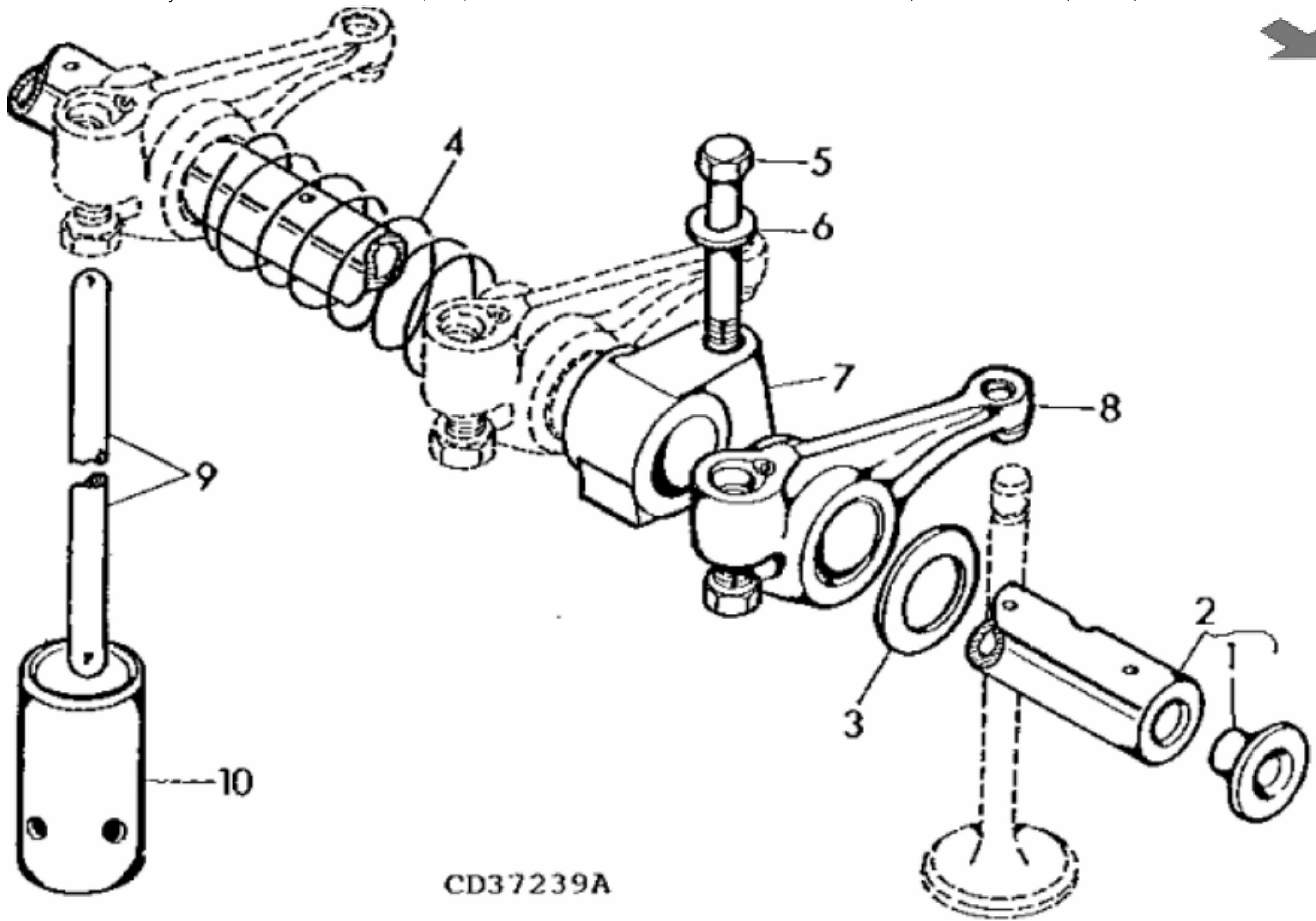


KEY	PART NO.	PART NAME	QTY	5200	5300	5400	REMARKS	
1	R130942	MEDALLION	1	X	X	X		
2	RE32140	SCREW WITH WASHER	6	X	X	X		
3	RE44202	VALVE COVER	1	X	X	X		
4	R106796	O-RING	1	X	X	X	(CUT TO LENGTH)	



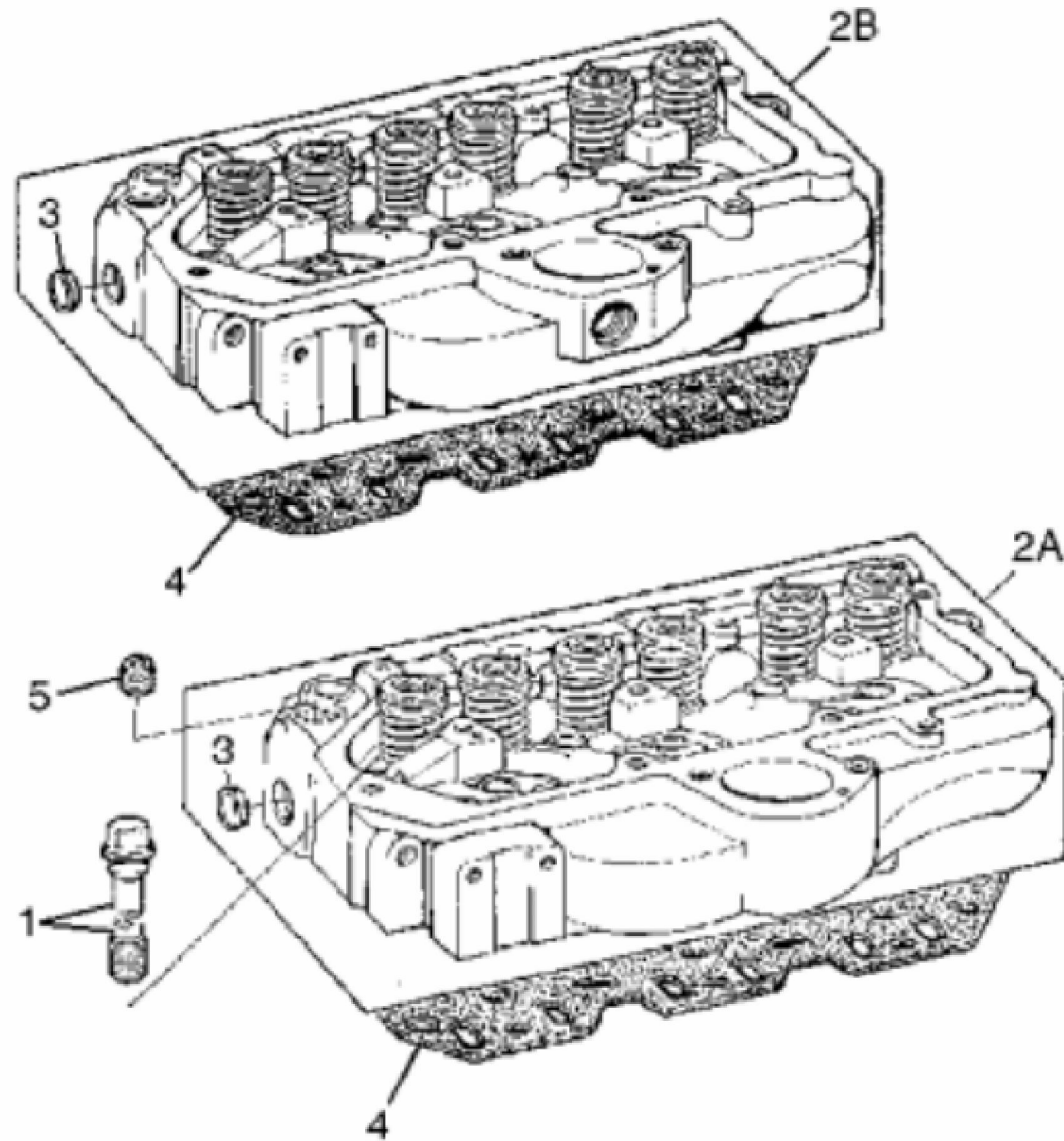
CDA36501

KEY	PART NO.	PART NAME	QTY	5200	5300	5400	REMARKS
1	R56463	O-RING	1	X	X	X	
2	R92154	ELBOW FITTING	1	X	X	X	
3	AT18904	CLAMP	1	X	X	X	
4	.....	HOSE	1	X	X	X	ID X LGTH=19MM X 889MM (0.75" X 35"), ORD R122401
4	R122401	TUBE	AR	X	X	X	LGTH=1040MM (41") OR 1290MM (51")
5	19H2038	CAP SCREW	AR	X	X	X	3/8" X 1/2"
6	24M7096	WASHER	AR	X	X	X	10.500 X 18 X 1.600 mm
7	T35699	CLAMP	AR	X	X	X	



CD37239A

KEY	PART NO.	PART NAME	QTY	Engine Serial No.	5200	5300	5400	REMARKS
1	R54565	PLUG	2		X	X	X	
2	RE502875	ROCKER ARM SHAFT	1		X	X	X	(RE502875 NO LONGER AVAILABLE) (SUB FOR DD12119) (SUB RE508317, THIS APPLICATION AND (6) R515095)
3	T20316	WASHER	2		X	X	X	
4	T20314	SPRING	2		X	X	X	
5	19H1733	CAP SCREW	3		X	X	X	3/8" X 2-1/2"
6	R42729	WASHER	3		X	X	X	
7	R123161	SUPPORT	3		X	X	X	(SUB FOR T20315)
8	RE31973	ROCKER ARM	6	____-XXXXXX	X	X	X	(SUB RE508317, THIS APPLICATION AND R515095)
8	RE508317	ROCKER ARM	6	XXXXXX-____	X	X	X	(USE WITH R515095)
9	T20310	PUSH ROD	6	____-XXXXXX	X	X	X	LGTH=234MM (9.21"), (SUB RE508317, THIS APPLICATION AND R515095)
9	R515095	PUSH ROD	6	XXXXXX-____	X	X	X	(USE WITH RE508317)
10	T20073	CAM FOLLOWER	6		X	X	X	



RGP5457

Thank you so much for reading.  
Please click the “Buy Now!”  
button below to download the  
complete manual.



After you pay.

You can download the most  
perfect and complete manual in  
the world immediately.

Our support email:

[ebooklibonline@outlook.com](mailto:ebooklibonline@outlook.com)