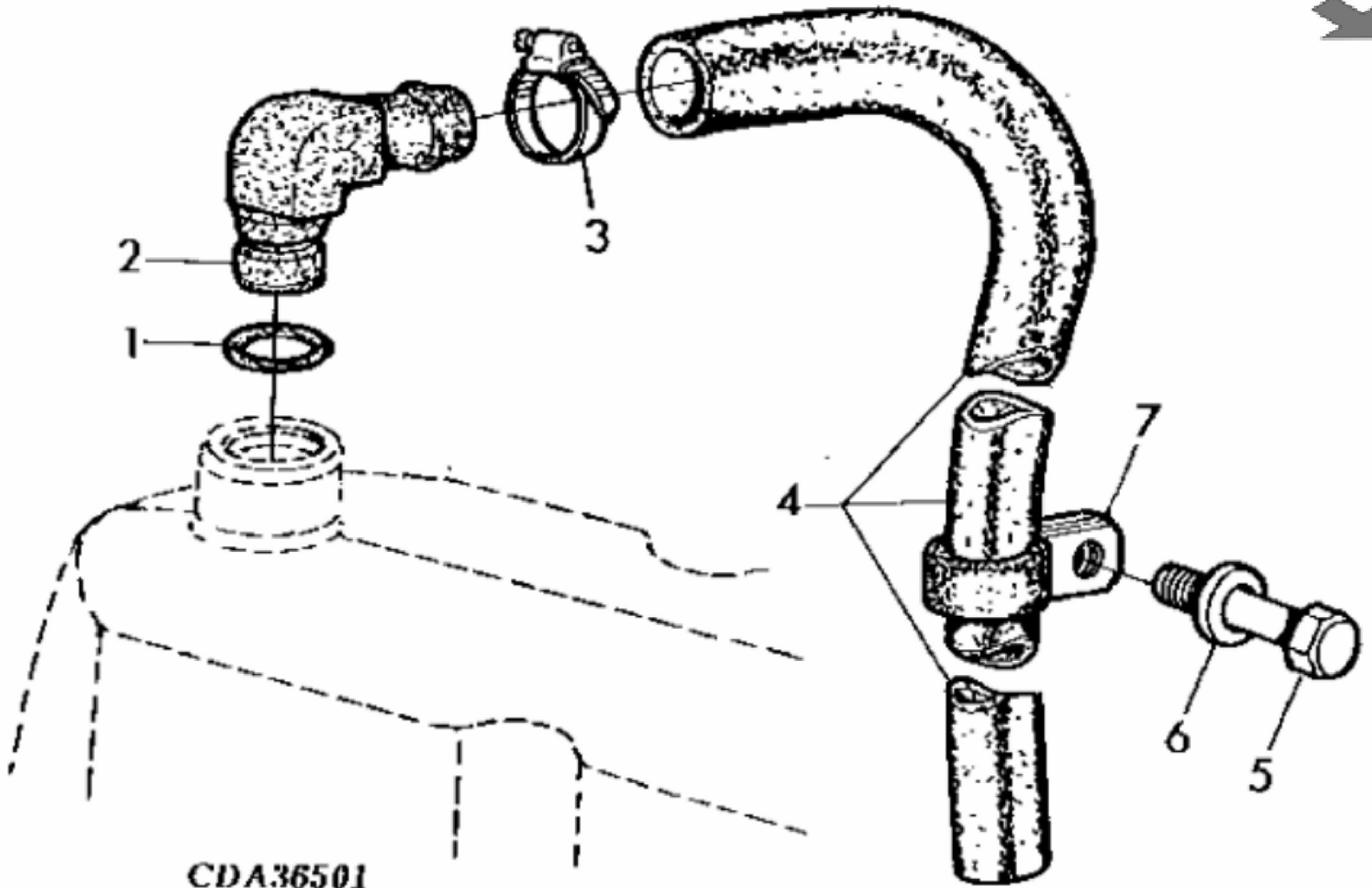


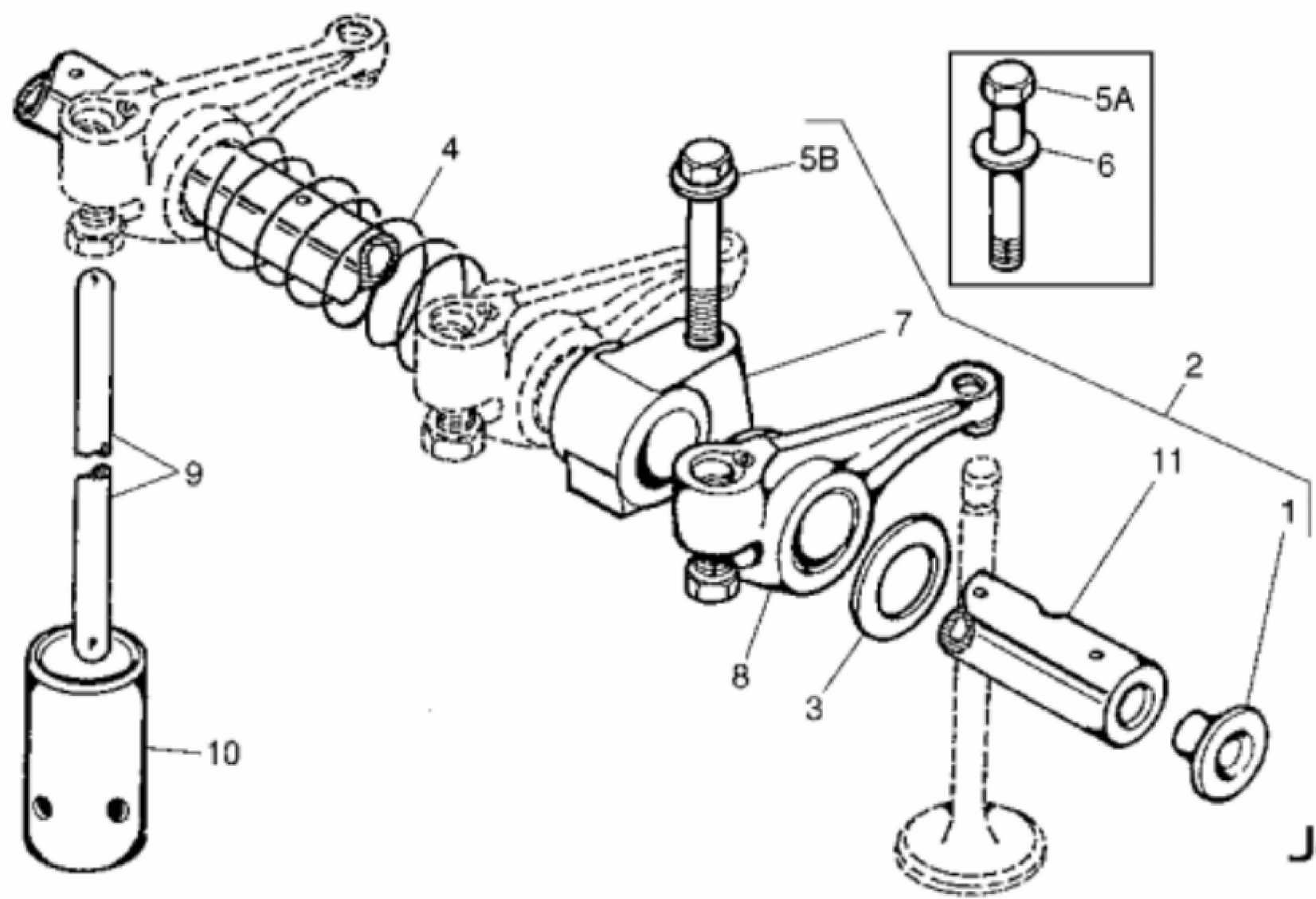
JOHN DEERE
RGP8944

KEY	PART NO.	PART NAME	QTY	5210	5310	REMARKS	
1	R130942	MEDALLION	1	X	X		
2	RE32140	SCREW WITH WASHER	6	X	X		
3	RE44202	VALVE COVER	1	X	X		
4	R106796	O-RING	1	X	X	(CUT TO LENGTH)	



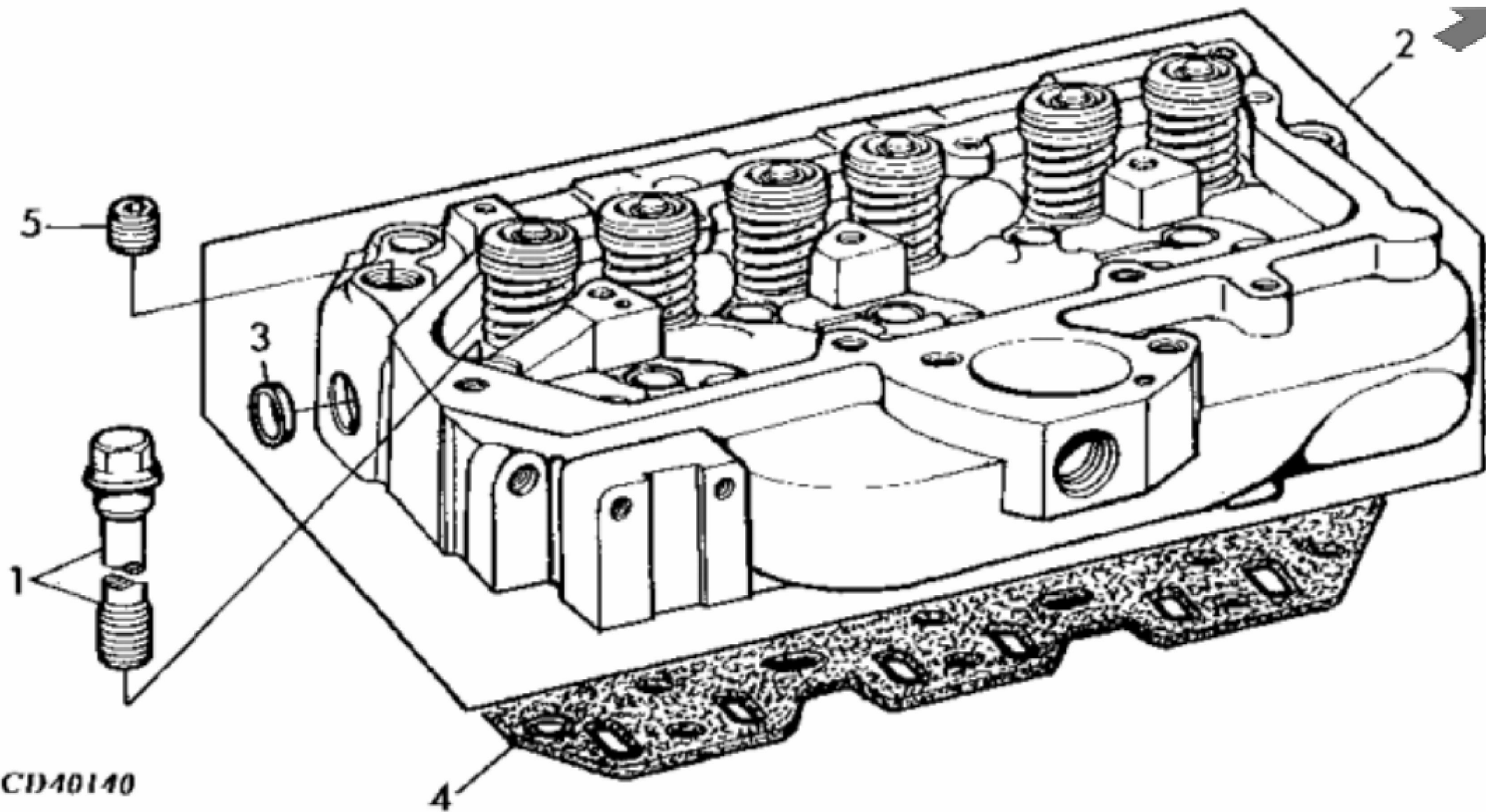
CDA36501

KEY	PART NO.	PART NAME	QTY	5210	5310	REMARKS	
1	R56463	O-RING	1	X	X		
2	R92154	ELBOW FITTING	1	X	X		
3	AT18904	CLAMP	1	X	X	(SUB AR21839)	
4	R122401	HOSE	1	X	X	LGTH=1290MM	
5	19H2038	CAP SCREW	AR	X	X	3/8" X 1/2"	
6	24M7096	WASHER	AR	X	X	10.500 X 18 X 1.600 mm	
7	T35699	CLAMP	AR	X	X		



JOHN DEERE
RGP8910

KEY	PART NO.	PART NAME	QTY	Engine Serial No.	5210	5310	REMARKS
1	R54565	PLUG	2		X	X	
2	RE502875	ROCKER ARM SHAFT	1	____-XXXXXX	X	X	(CD3029) (SUB FOR DD12119) (SUB RE519735, THIS APPLICATION AND (6) R515095)
2	RE502875	ROCKER ARM SHAFT	1	____-XXXXXX	X	X	(PE3029) (SUB RE519735, THIS APPLICATION, (6) R515095 AND (6) R518454)
2	RE519735	ROCKER ARM SHAFT	1	XXXXXX-____	X	X	
3	T20316	WASHER	2		X	X	
4	T20314	SPRING	2		X	X	
5A	19H3031	CAP SCREW	3	____-XXXXXX	X	X	3/8" X 2-1/2"
5B	R504813	SELF-LOCKING SCREW	3	XXXXXX-____	X	X	
6	R42729	WASHER	3		X	X	
7	T20315	SUPPORT	3	____-XXXXXX	X	X	(SUB R123161 AND R504813)
7	R123161	SUPPORT	3	XXXXXX-____	X	X	
8	RE31973	ROCKER ARM	6	____-XXXXXX	X	X	(CD3029) (SUB RE508317, THIS APPLICATION AND R515095)
8	RE31973	ROCKER ARM	6	____-XXXXXX	X	X	(PE3029) (SUB RE508317, THIS APPLICATION, R515095 AND R518454)
8	RE508317	ROCKER ARM	6	XXXXXX-____	X	X	
9	T20310	PIN	6	____-XXXXXX	X	X	(CD3029) (SUB RE508317, THIS APPLICATION AND R515095)
9	T20310	PIN	6	____-XXXXXX	X	X	(PE3029) (SUB RE508317, THIS APPLICATION, R515095 AND R518454)
9	R515095	PUSH ROD	6	XXXXXX-____	X	X	
10	T20073	CAM FOLLOWER	6		X	X	
11	SHAFT	1		X	X	NLA; ORDER RE519735
11	RE519735	ROCKER ARM SHAFT	1		X	X	SUB FOR R501532



CD40140

Thank you so much for reading.
Please click the “Buy Now!”
button below to download the
complete manual.



After you pay.

You can download the most
perfect and complete manual in
the world immediately.

Our support email:

ebooklibonline@outlook.com