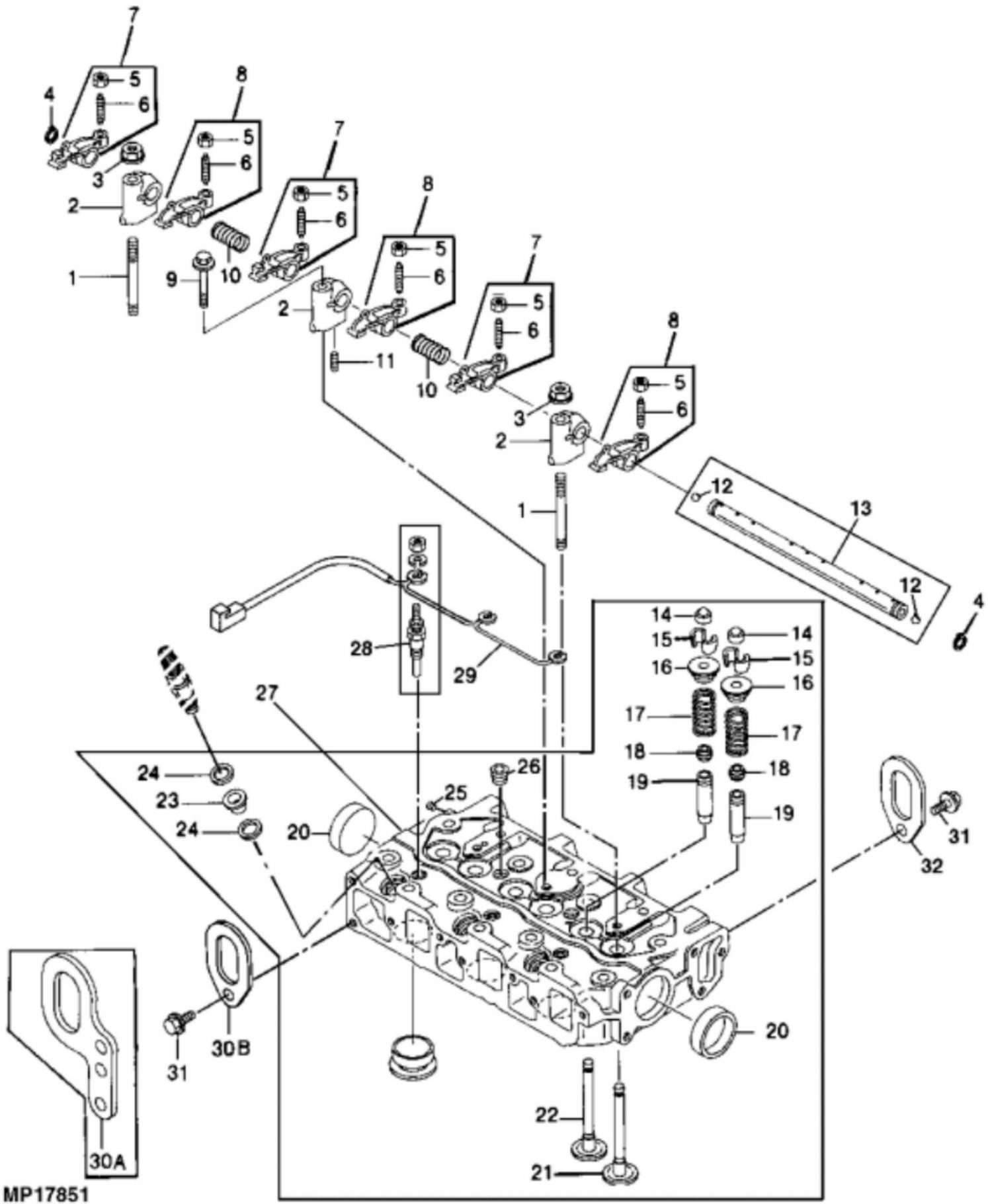


MP17850

KEY	PART NO.	PART NAME	QTY	REMARKS
1	M87866	BOLT	14	
2	M807320	ENGINE CYLINDER HEAD GASKET	1	
3	AM879213	CYLINDER BLOCK	1	
4	30M7023	PLUG	6	
5	M802255	PIN	2	
6	M802254	PIN	2	
7	M802643	PLUG	1	
8	M112792	DRAIN PLUG	1	
9	M809593	PLUG	1	
10	CH18079	SPRING PIN	2	
11	M87862	BUSHING	1	CAMSHAFT
12	19M7774	SCREW	3	M6 X 12
13	M89140	SHAFT	1	IDLE GEAR
14	M87801	PLUG	1	
15	M800006	DOWEL PIN	2	
16	EPC200680	PLUG	1	
17	AM100719	BEARING KIT	2	THRUST
18	AM100718	BEARING KIT	4	MAIN, STD
18	AM100732	BEARING KIT	4	.25 MM (.010") US, MAIN
19	BEARING CAP	3	(MAIN BEARINGS ONLY)
20	M87879	BOLT	8	
21	BEARING CAP	1	(THRUST AND MAIN BEARINGS)
..	AM879207	SHORT BLOCK ASSEMBLY	1	

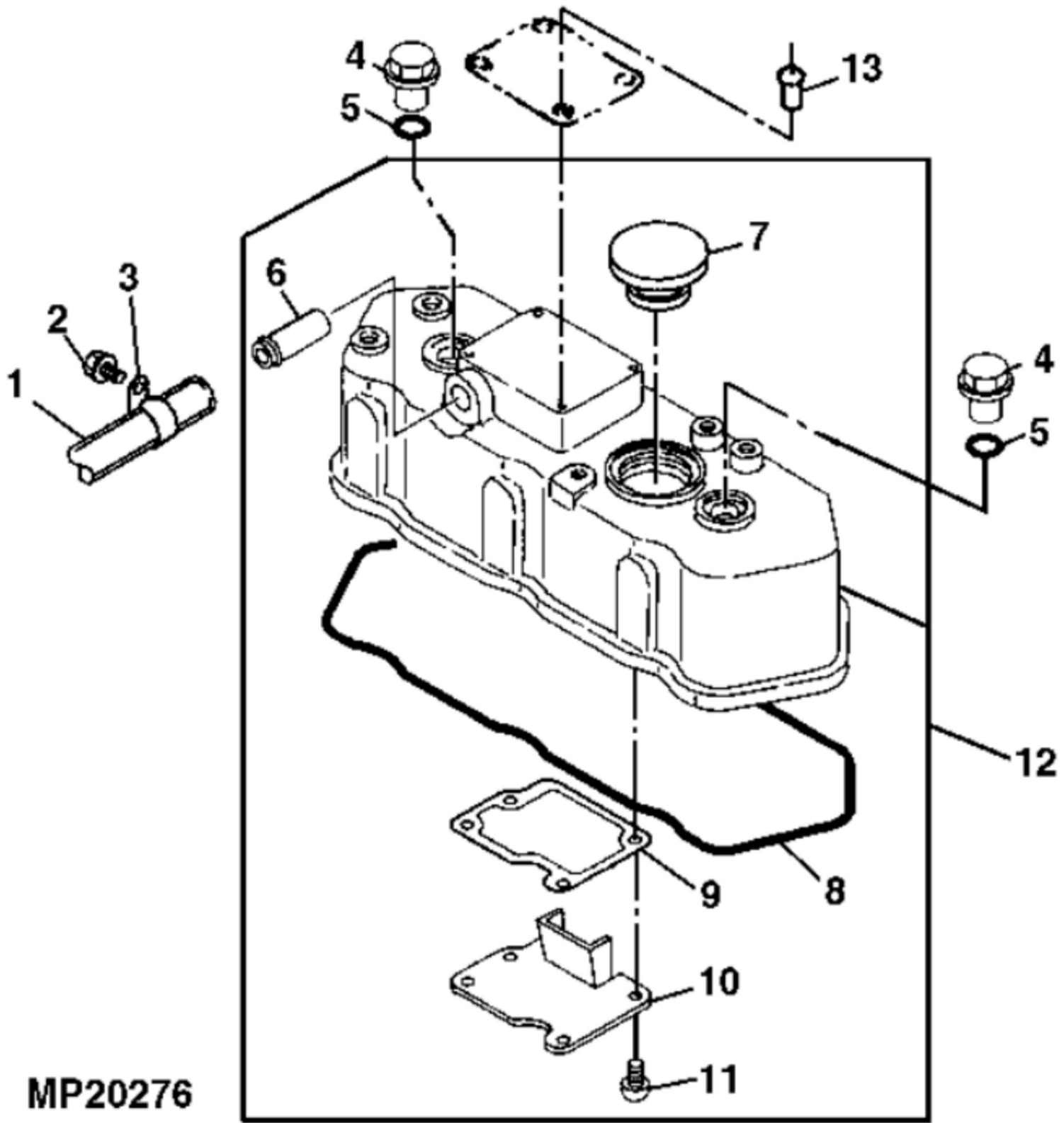


MP17851

ARMS

KEY	PART NO.	PART NAME	QTY	Engine Serial No.	REMARKS	
1	M87836	STUD	2			
2	M87891	SUPPORT	3		ROCKER ARM	
3	14M7298	FLANGE NUT	2		M8	
4	M87818	SNAP RING	2			
5	14M7194	NUT	1		M6	
6	M87841	SCREW	1			
7	AM100736	ARM	3		EXHAUST	
8	AM100735	ARM	3		INTAKE	
9	CH19101	BOLT	1			
10	M87892	SPRING	2			
11	M87893	SCREW	1			
12	400R	BALL	2			
13	AM100749	ROCKER ARM SHAFT	1			
14	CH12585	CAP	6			
15	AM100828	KIT	6		VALVE RETAINER (INCLUDES (2) SIDES)	
16	M87835	HOLDER	6			
17	M87834	SPRING	6		VALVE	
18	CH10346	SEAL	6		VALVE STEM	
19	M87863	GUIDE	6		VALVE	
20	CH16751	PLUG	2			
21	M807328	VALVE	3		INTAKE	
22	M87833	VALVE	3		EXHAUST	
23	M89134	PACKING	3		(NOZZLE PROTECTOR)	
24	M89135	GASKET	6		NOZZLE	
25	M87831	PLUG	1			
26	15H559	PIPE PLUG	2		1/4"	
27	AM879210	CYLINDER HEAD	1			
28	AT110814	GLOW PLUG	3			
29	M802705	ELECTRICAL CONNECTOR ASSY	1		GLOW PLUG	
30A	M806793	PLATE	1		NLA, LIFT	
30B	M800066	BRACKET	1		LIFT, (SUB MIU800461)	
31	CH19780	BOLT	2			
32	M800072	BRACKET	1	____-XXXXXX	LIFT	

KEY	PART NO.	PART NAME	QTY	Engine Serial No.	REMARKS	
32	M800066	BRACKET	1	XXXXXX-____	LIFT, (SUB MIU800461)	



MP20276

KEY	PART NO.	PART NAME	QTY	REMARKS	
1	PIPE	1	CRANKCASE BREATHER, (MAKE FROM CH15409)	
2	19M7864	SCREW	1	M8 X 12	
3	CH10331	CLAMP	1		
4	CH10348	NUT	2		
5	CH10568	PACKING	2		
6	M87840	FITTING	1		
7	M807329	PLUG	1		
8	M87854	GASKET	1		
9	M805697	GASKET	1		
10	M87837	DEFLECTOR	1		
11	M807374	SCREW	4		
12	AM879190	COVER	1	CYLINDER HEAD	
13	CH10061	RIVET	4		

Thank you so much for reading.
Please click the “Buy Now!”
button below to download the
complete manual.



After you pay.

You can download the most
perfect and complete manual in
the world immediately.

Our support email:

ebooklibonline@outlook.com