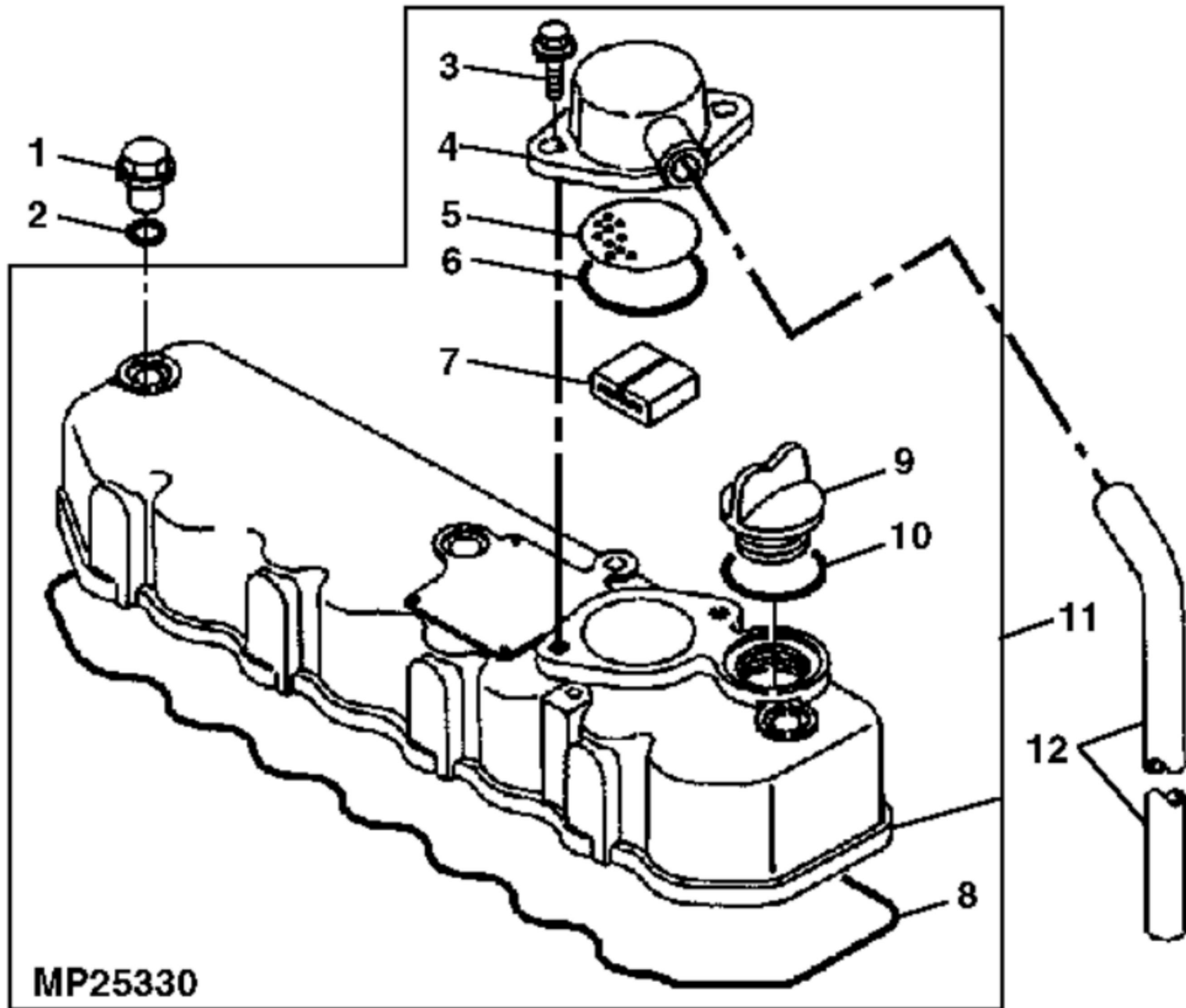


MP18845

ARMS

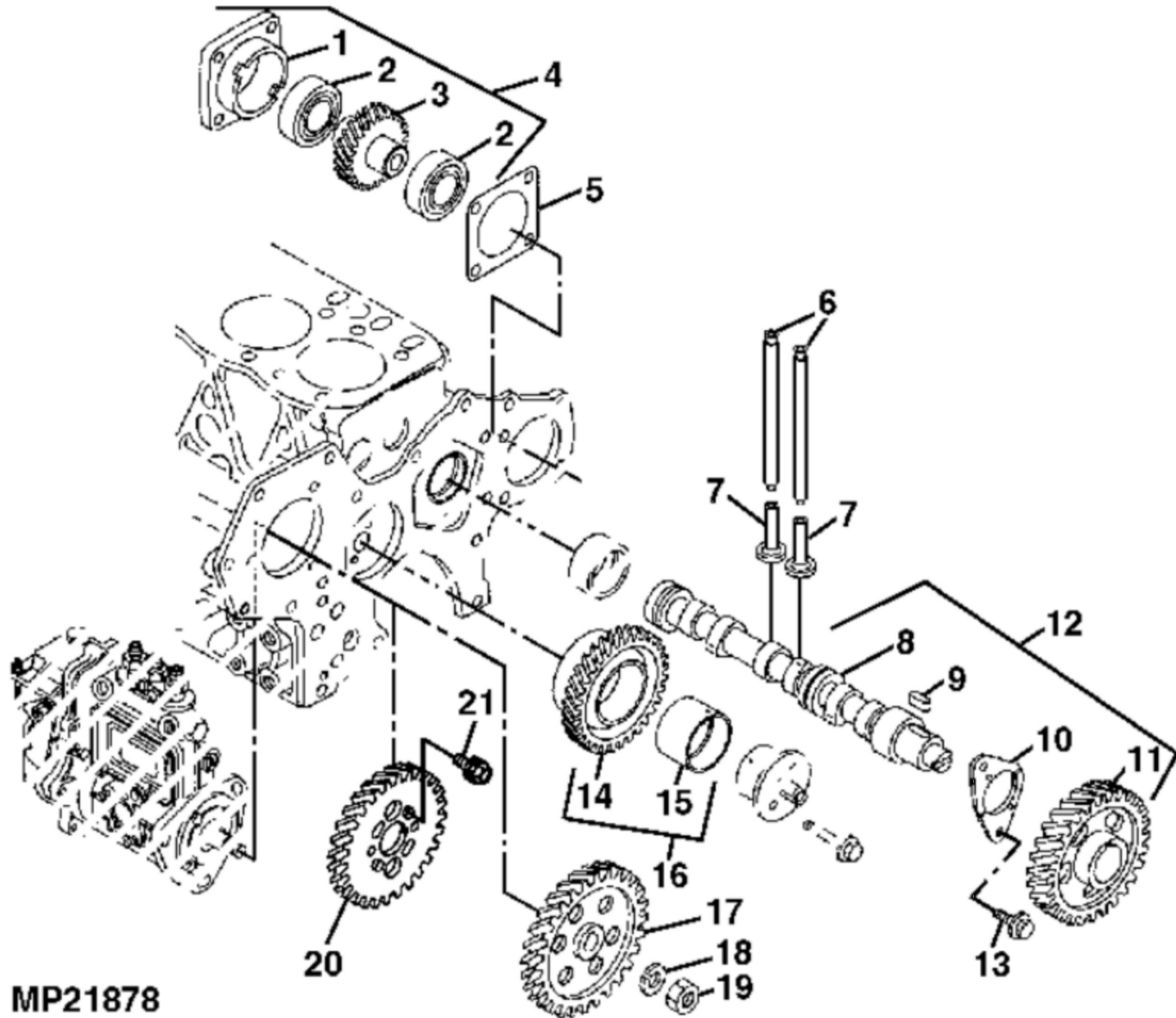
KEY	PART NO.	PART NAME	QTY	REMARKS
1	M801024	STUD	3	
2	19M7800	SCREW	7	M8 X 50
3	M801028	NUT	1	
4	M801027	SCREW	1	
5	ROCKER ARM	1	
6	AM875383	ROCKER ARM	8	
7	M801022	SUPPORT	2	ROCKER ARM
8	M801023	SUPPORT	3	ROCKER ARM
9	M801025	SPRING	4	
10	19M7867	SCREW	3	M8 X 25
11	M800002	PLUG	2	
12	ROCKER ARM SHAFT	1	
13	AM875382	SHAFT	1	ROCKER ARM
14	M801224	CAP	8	
15	AM878862	RETAINER KIT	4	(2 PER PKG), VALVE
16	M801223	RETAINER	8	SPRING
17	M801222	SPRING	8	VALVE
18	T110650	SEAL	4	EXHAUST
19	CH10450	SEAL	4	INTAKE
20	M801227	GUIDE	4	INTAKE
21	M801228	GUIDE	4	EXHAUST
22	CH16751	PLUG	2	
23	CH18079	SPRING PIN	2	
24	M801220	INTAKE VALVE	4	
25	MIU800494	EXHAUST VALVE	4	(SUB FOR M801221)
26	M801219	BOLT	8	
27	M801017	VALVE SEAT	4	
28	M801016	SEAL	4	(SUB FOR M806732 OR M810460)
29	M801018	RETAINER	4	
30	AM878615	CYLINDER HEAD	1	(ENGINE MARKED 4TNE84-JTC45/4TNE84-JT45)
30	AM879737	CYLINDER HEAD	1	(ENGINE MARKED 4TNE84-EJTC45/4TNE84-EJTF45/4TNE84-EFTC45S/4TNE84-EJTF45S)
31	14M7303	FLANGE NUT	8	M6
32	AT211695	LIFT LINK	1	

KEY	PART NO.	PART NAME	QTY	REMARKS	
33	19M7865	SCREW	2	M8 X 16	
34	14M7273	NUT	3	M8	



MP25330

KEY	PART NO.	PART NAME	QTY	REMARKS	
1	CH10348	NUT	3		
2	CH10568	PACKING	3		
3	19M7865	SCREW	2	M8 X 16	
4	M801031	CAP	1		
5	M801033	PLATE	1		
6	M801034	O-RING	1		
7	M801032	DEFLECTOR	1		
8	M801230	GASKET	1	BREATHER	
9	M805710	CAP	1		
10	M805711	PACKING	1		
11	RG60621	COVER	1		
12	M801037	HOSE	1	BREATHER	



MP21878

KEY	PART NO.	PART NAME	QTY	REMARKS
1	M802618	BRACKET	1	
2	CH13505	BALL BEARING	2	
3	GEAR	1	
4	AM876339	GEAR	1	
5	M805840	GASKET	1	
6	M801238	PUSH ROD	8	
7	M801046	CAM FOLLOWER	8	
8	CAMSHAFT	1	
9	M801045	SHAFT KEY	1	
10	THRUST BEARING	1	
11	GEAR	1	
12	AM875386	CAMSHAFT	1	
13	CH19780	BOLT	2	
14	GEAR	1	
15	M801050	BUSHING	1	
16	AM875315	GEAR	1	
17	M801239	GEAR	1	(ENGINE MARKED 4TNE84-JTC45/4TNE84-JT45)
18	12M7067	LOCK WASHER	1	12 mm
19	14M7275	NUT	1	M12
20	RG60872	GEAR	1	(ENGINE MARKED 4TNE84-EJTC45/4TNE84-EJTF45)
20	M801239	GEAR	1	(ENGINE MARKED 4TNE84-EFTC45S/4TNE84-EJTF45S) (SUB FOR RG60870)
21	BOLT	4	(ENGINE MARKED 4TNE84-EJTC45/4TNE84-EJTF45/4TNE84-EFTC45S/4TNE84-EJTF45S)

Thank you so much for reading.
Please click the “Buy Now!”
button below to download the
complete manual.



After you pay.

You can download the most
perfect and complete manual in
the world immediately.

Our support email:

ebooklibonline@outlook.com