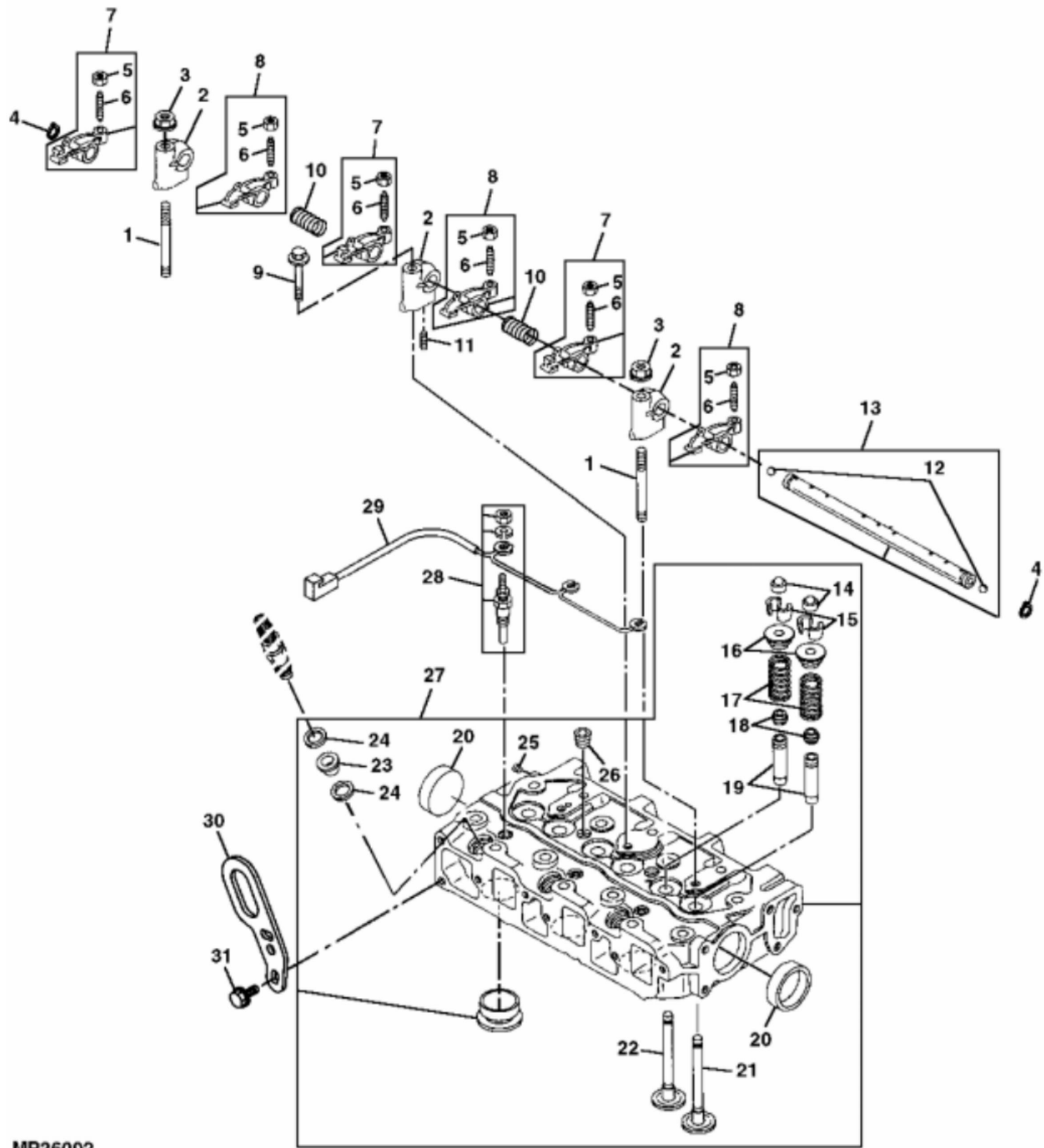


MP27039

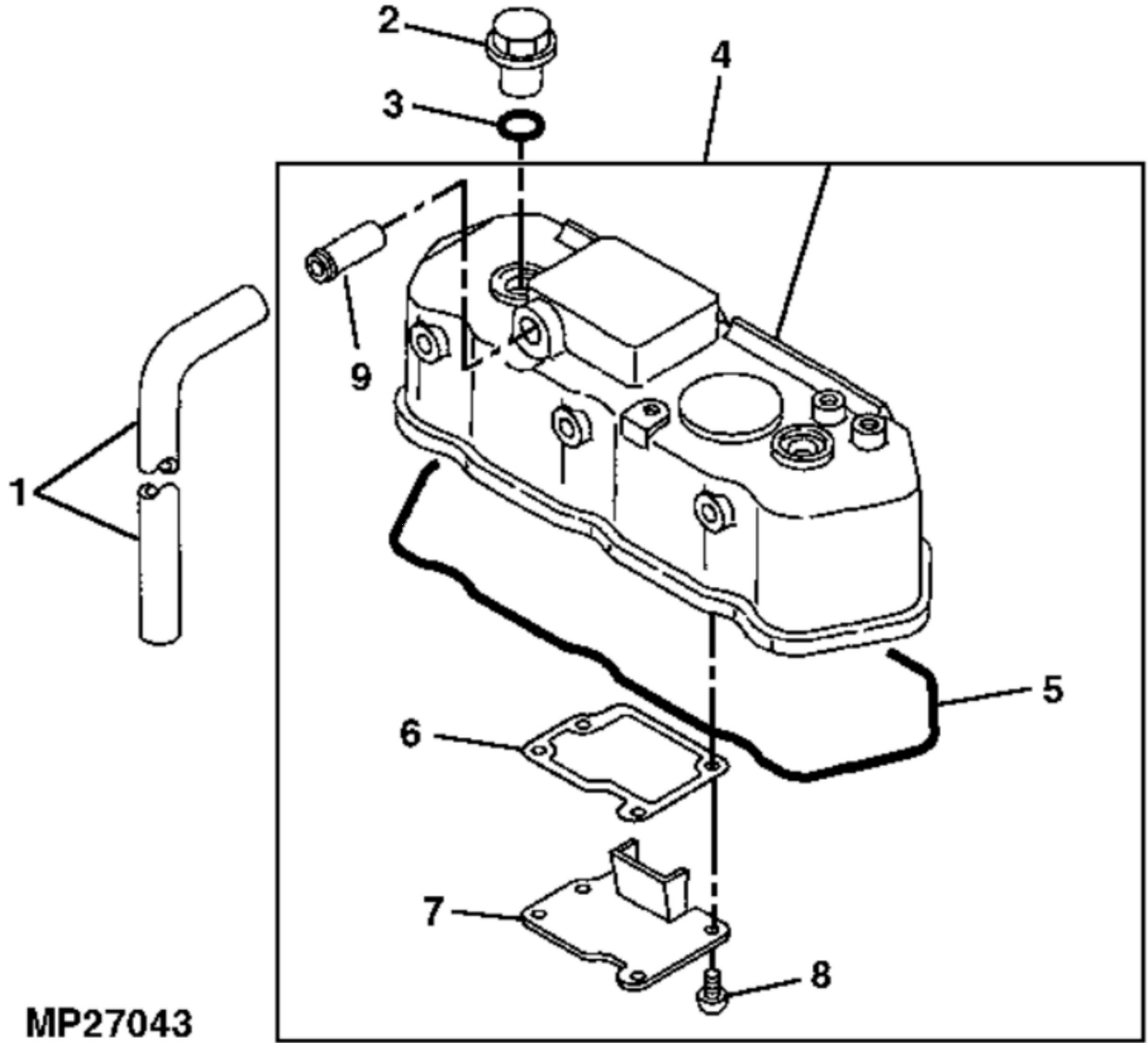
KEY	PART NO.	PART NAME	QTY	REMARKS
1	M808915	BOLT	14	
2	M807312	ENGINE CYLINDER HEAD GASKET	1	
3	AM878699	CYLINDER BLOCK	1	
4	CH18079	SPRING PIN	2	
5	CH17101	PLUG	4	
6	M808914	BUSHING	1	CAMSHAFT
7	19M7774	SCREW	3	M6 X 12
8	M89140	SHAFT	1	IDLE GEAR
9	M800002	PLUG	2	
10	M800006	DOWEL PIN	2	
11	CH15478	PLUG	1	
12	CH10314	PLUG	1	
13	M802255	PIN	2	
14	M802254	PIN	2	
15	30M7023	PLUG	2	
16	M809592	PIPE PLUG	1	
17	AM875060	BEARING KIT	2	THRUST
18	AM875059	BEARING KIT	4	MAIN, STD
18	AM875026	BEARING KIT	4	.25 MM (.010") US, MAIN
19	BEARING CAP	1	
20	BEARING CAP	3	
21	M800012	BOLT	8	
..	DIESEL ENGINE	1	(ORDER AM881039)
..	AM881039	SHORT BLOCK ASSEMBLY	1	



MP26002

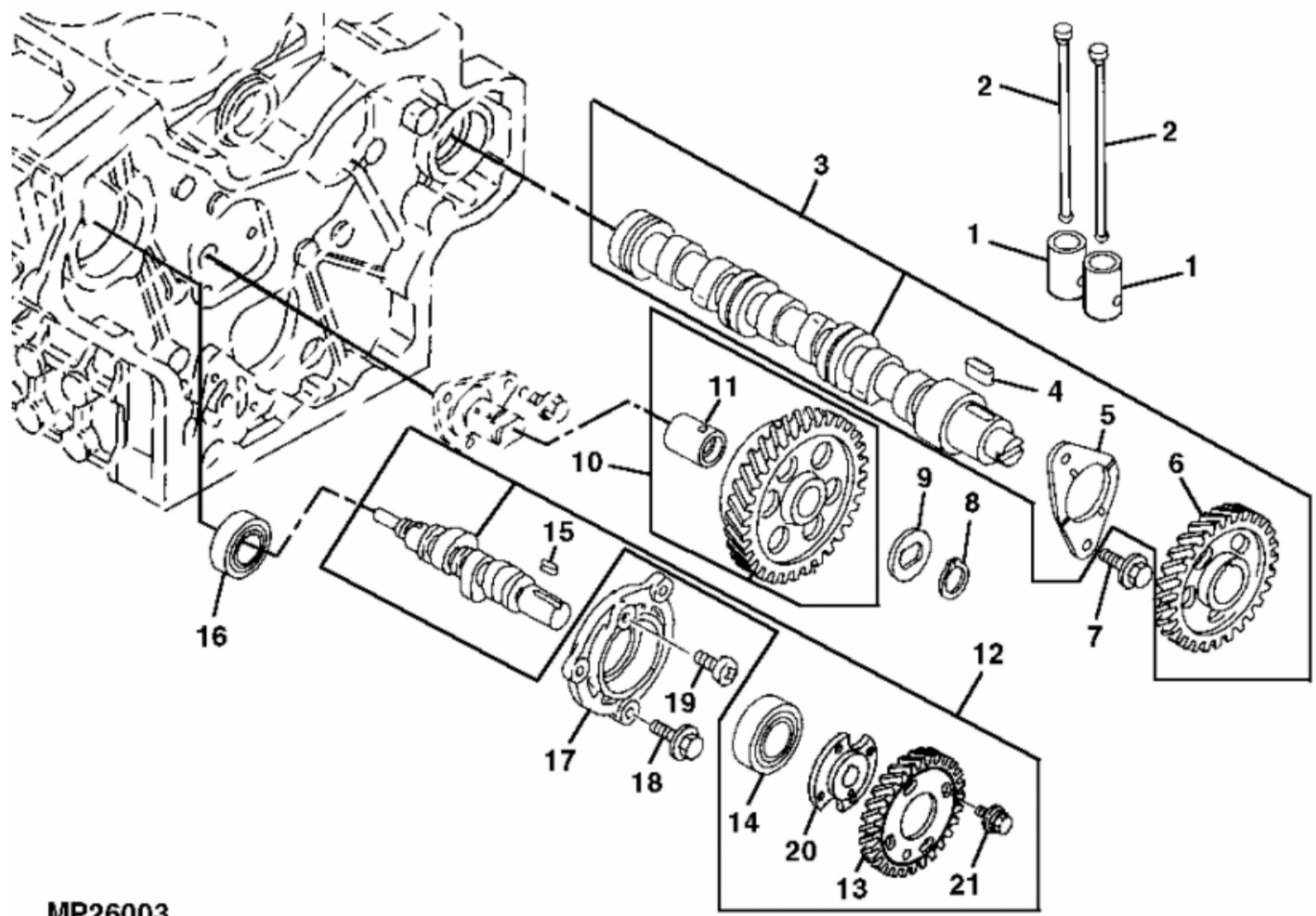
ARMS

KEY	PART NO.	PART NAME	QTY	REMARKS
1	M87836	STUD	2	
2	M800024	SUPPORT	3	ROCKER ARM
3	14M7298	FLANGE NUT	2	M8
4	CH17950	RING	2	
5	14M7194	NUT	1	M6
6	M87841	SCREW	1	
7	AM875029	ROCKER ARM	3	EXHAUST
8	AM875028	ROCKER ARM	3	INTAKE
9	CH19101	BOLT	1	
10	M800025	SPRING	2	
11	M800069	SELF-LOCKING SCREW	1	
12	R63075	BALL	2	
13	AM875002	ROCKER ARM SHAFT	1	
14	M800023	CAP	6	
15	AM878864	RETAINER	6	(2/PKG)
16	M800020	HOLDER	6	
17	M800019	SPRING	6	VALVE
18	M800022	SEAL	6	NLA; ORDER MIU801996; VALVE STEM
18	MIU801996	SEAL	6	
19	M800067	GUIDE	6	VALVE
20	CH17438	PLUG	2	
21	M800017	INTAKE VALVE	3	
22	M800018	EXHAUST VALVE	3	
23	M89134	NOZZLE TIP	3	
24	M89135	GASKET	6	NOZZLE
25	M87831	PLUG	1	
26	M806938	PLUG	2	
27	AM878678	CYLINDER HEAD	1	
28	AT110814	GLOW PLUG	3	
29	M802705	ELECTRICAL CONNECTOR ASSY	1	GLOW PLUG
30	MIU800461	BRACKET	1	LIFT, (SUB FOR M800066)
31	CH19780	BOLT	2	



MP27043

KEY	PART NO.	PART NAME	QTY	REMARKS	
1	CH15409	PIPE	1	(CUT TO 500 MM) (SUB FOR M89133)	
2	CH10348	NUT	2		
3	CH10568	PACKING	2		
4	AM880974	VALVE COVER	1		
5	M809218	GASKET	1	(SUB FOR M800027)	
6	M805818	GASKET	1		
7	M800014	DEFLECTOR	1		
8	M807374	SCREW	4		
9	M807038	TUBE	1		



MP26003

Thank you so much for reading.
Please click the “Buy Now!”
button below to download the
complete manual.



After you pay.

You can download the most
perfect and complete manual in
the world immediately.

Our support email:

ebooklibonline@outlook.com