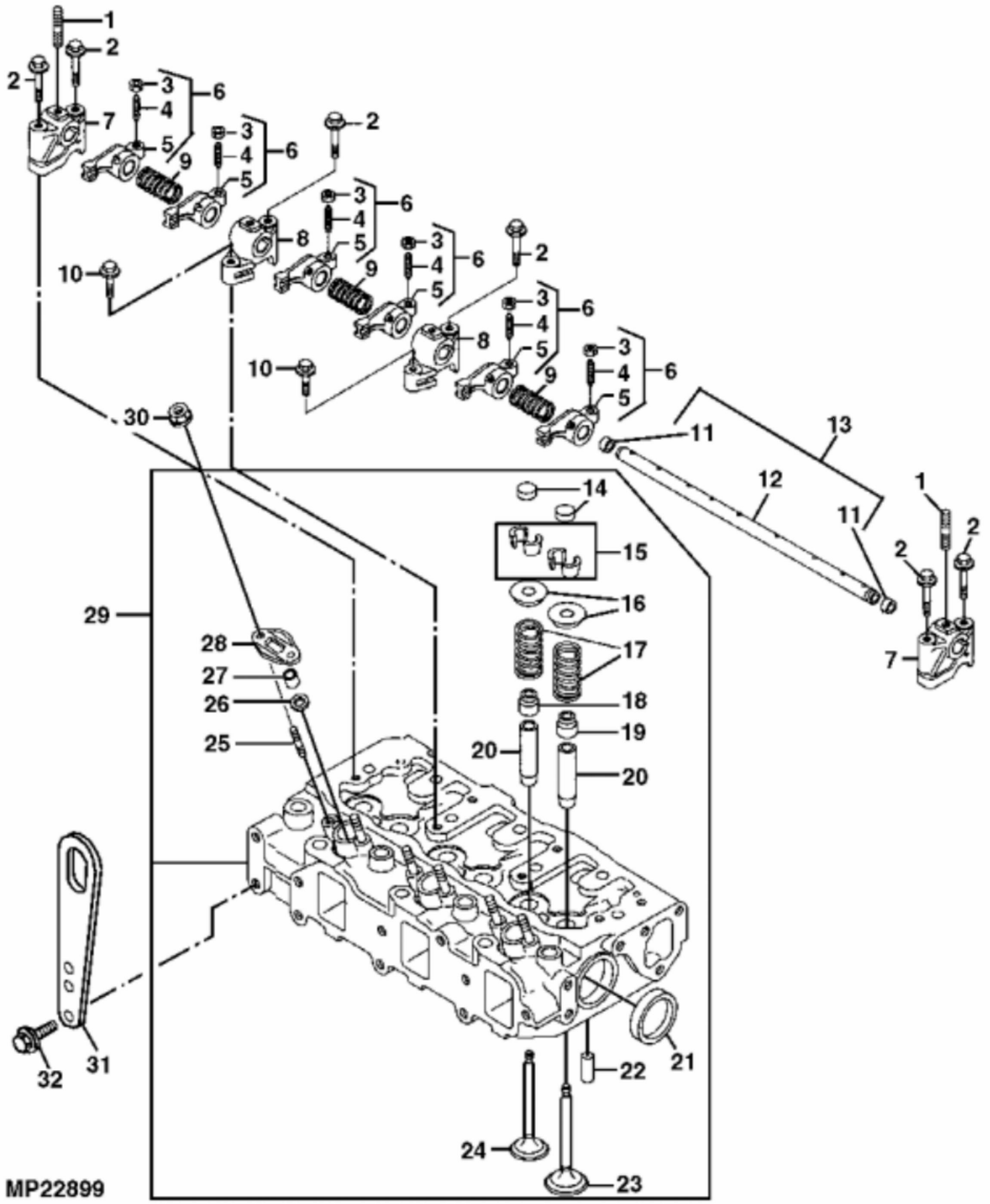


MP26551

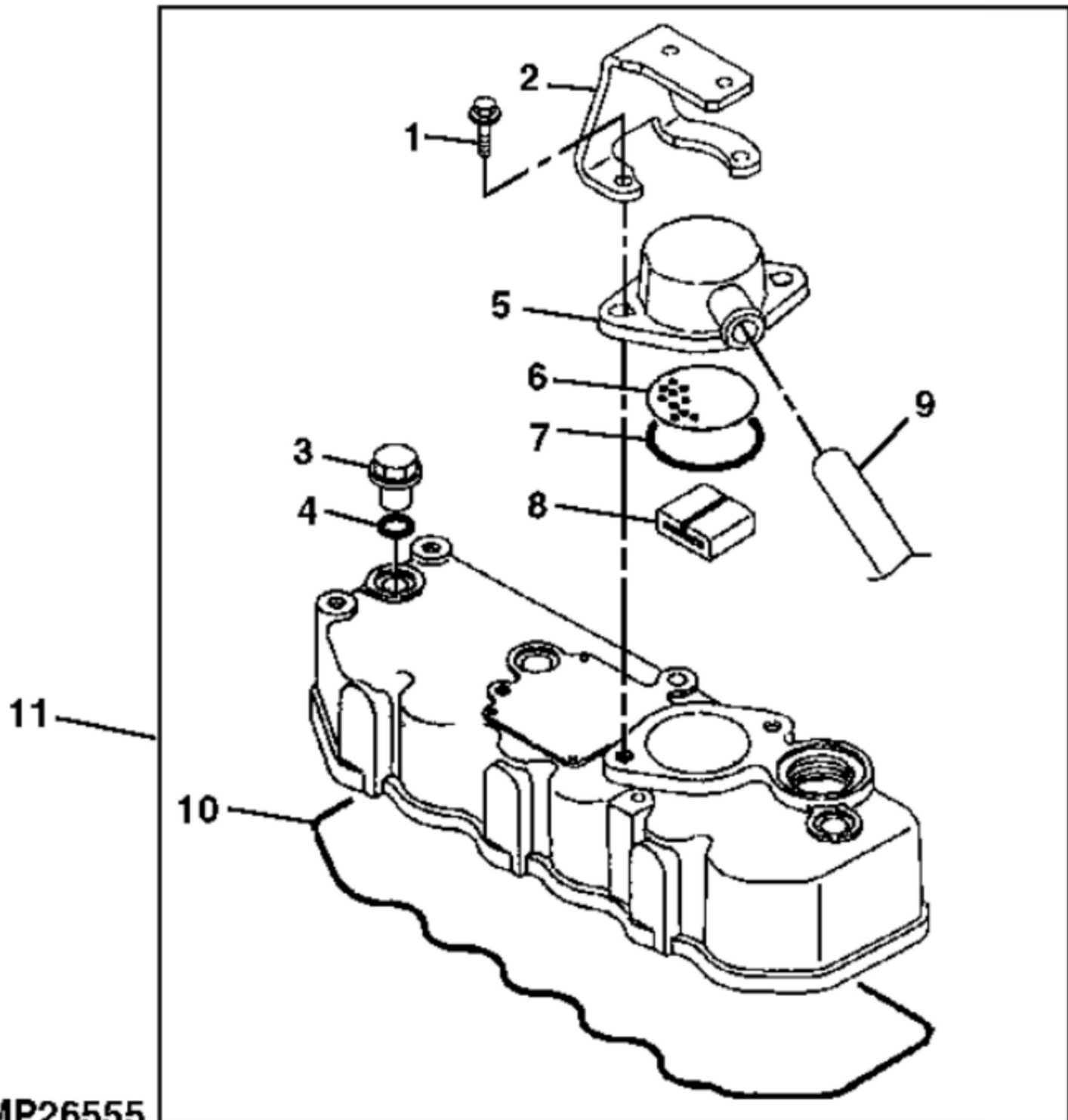
KEY	PART NO.	PART NAME	QTY	REMARKS
1	M800970	BOLT	14	
2	M806729	ENGINE CYLINDER HEAD GASKET	1	
3	AM878590	CYLINDER BLOCK	1	
4	CH10335	PLUG	3	
5	EPC200680	PLUG	1	
6	M802255	PIN	4	8 X 16
7	DRAIN PLUG	1	
8	CH18079	SPRING PIN	2	
9	30M7023	PLUG	6	
10	15H562	PIPE PLUG	1	1"
11	M800977	BUSHING	1	CAMSHAFT
12	M800978	SHAFT	1	IDLER
13	CH19101	BOLT	2	
14	M87801	PLUG	2	
15	M800974	PIPE	2	
16	MIA880553	BEARING	2	STD, (SUB FOR AM875301)
16	AM875594	BEARING KIT	2	.25 MM (.010") OS
17	MIA880559	BEARING	4	STD, (SUB FOR AM875300)
17	MIA880549	BEARING	4	.25 MM (.010") US, (SUB FOR AM875302)
18	BEARING CAP	3	
19	M87879	BOLT	8	
20	BEARING CAP	1	
..	ENGINE	1	(MARKED 3TNE78A-EJK) (ORDER AM880660)
..	AM880660	SHORT BLOCK ASSEMBLY	1	



MP22899

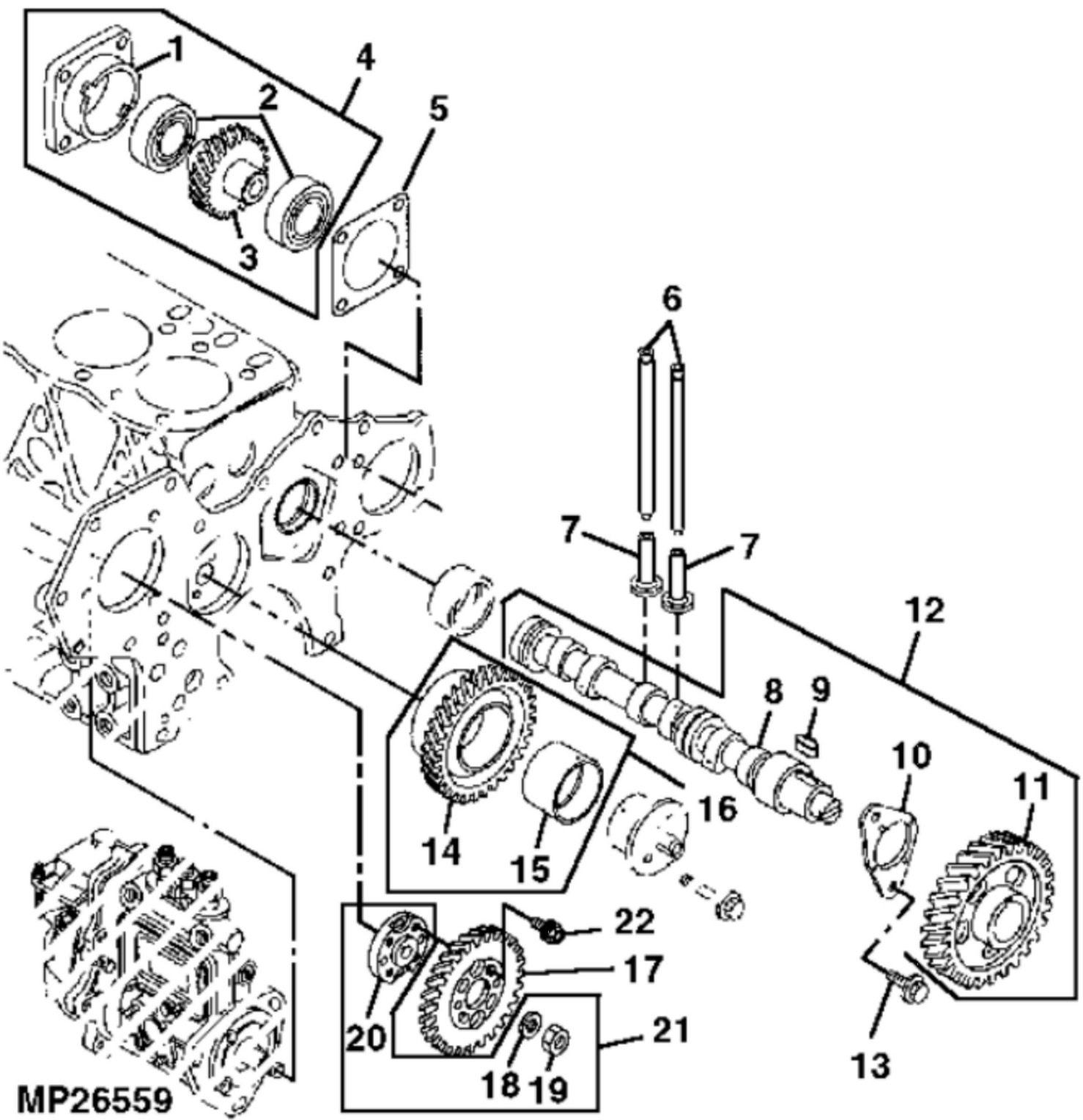
ARMS

KEY	PART NO.	PART NAME	QTY	REMARKS
1	M801024	STUD	3	
2	19M7800	SCREW	6	M8 X 50
3	M801028	NUT	1	
4	M801027	SCREW	1	
5	ROCKER ARM	1	
6	RG60245	ROCKER ARM	6	
7	M801022	SUPPORT	2	ROCKER ARM
8	M801023	SUPPORT	2	ROCKER ARM
9	M801025	SPRING	3	
10	19M7867	SCREW	2	M8 X 25
11	M800002	PLUG	2	
12	ROCKER ARM SHAFT	1	
13	AM875310	SHAFT	1	SUPPORT
14	CH12585	CAP	6	
15	AM100828	RETAINER KIT	3	VALVE RETAINER
16	M801015	RETAINER	6	SPRING
17	M801014	SPRING	6	VALVE
18	CH10346	SEAL	3	EXHAUST
19	CH10346	SEAL	3	INTAKE
20	CH16041	GUIDE	6	
21	CH16751	PLUG	2	
22	CH18079	SPRING PIN	1	
23	M801012	INTAKE VALVE	3	
24	RG60149	EXHAUST VALVE	3	
25	M801011	STUD	6	
26	M801017	VALVE SEAT	3	
27	M801016	GUARD	3	(SUB FOR M806732 AND M810460)
28	M801018	RETAINER	3	
29	AM878523	CYLINDER HEAD	1	
30	14M7303	FLANGE NUT	6	M6
31	AT211695	LIFT ARM	2	
32	19M7865	SCREW	4	M8 X 16



MP26555

KEY	PART NO.	PART NAME	QTY	REMARKS	
1	19M7867	SCREW	2	M8 X 25, SUB FOR CH19088	
2	M810130	BRACKET	1		
3	CH10348	NUT	3		
4	CH10568	PACKING	3		
5	M801031	CAP	1		
6	M801033	PLATE	1		
7	M801034	O-RING	1		
8	M801032	DEFLECTOR	1		
9	M801037	HOSE	AR	BREATHER	
10	M801036	GASKET	1		
11	AM881017	VALVE COVER	1		



KEY	PART NO.	PART NAME	QTY	REMARKS
1	M802618	BRACKET	1	
2	CH13505	BALL BEARING	2	
3	GEAR	1	
4	AM876339	GEAR	1	H.O. PUMP
5	M805840	GASKET	1	
6	M801047	PUSH ROD	6	
7	M801046	CAM FOLLOWER	6	
8	CAMSHAFT	1	
9	M801045	SHAFT KEY	1	
10	M801237	THRUST BEARING	1	
11	M801044	GEAR	1	
12	AM878292	CAMSHAFT	1	
13	CH19780	BOLT	2	
14	GEAR	1	
15	M801050	BUSHING	1	
16	AM875315	GEAR	1	IDLE
17	M801239	GEAR	1	
18	12M7067	LOCK WASHER	1	12 mm
19	14M7275	NUT	1	M12
20	FLANGE	1	
21	AM880378	FLANGE	1	
22	BOLT	4	

Thank you so much for reading.
Please click the “Buy Now!”
button below to download the
complete manual.



After you pay.

You can download the most
perfect and complete manual in
the world immediately.

Our support email:

ebooklibonline@outlook.com