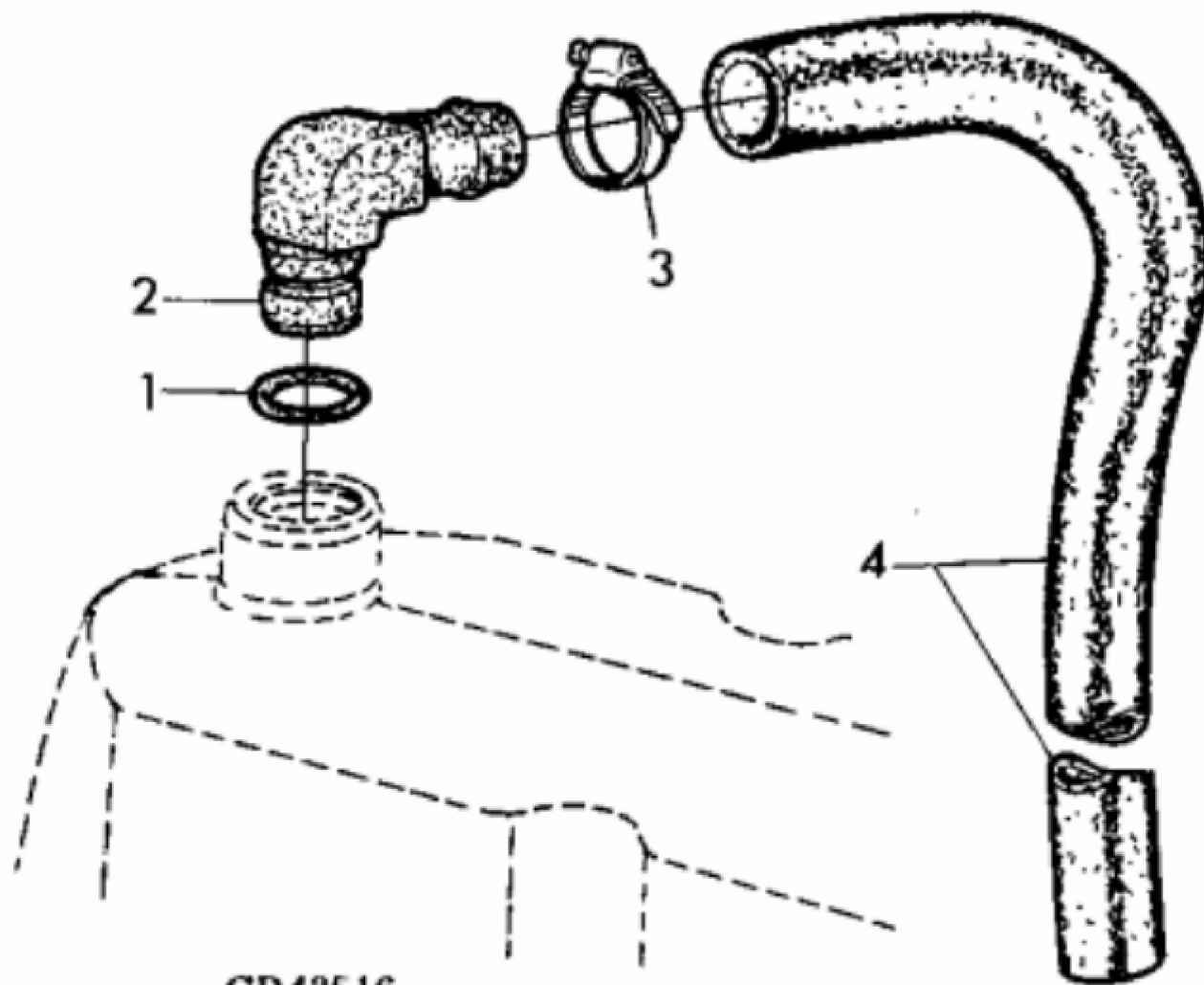


CDP46219

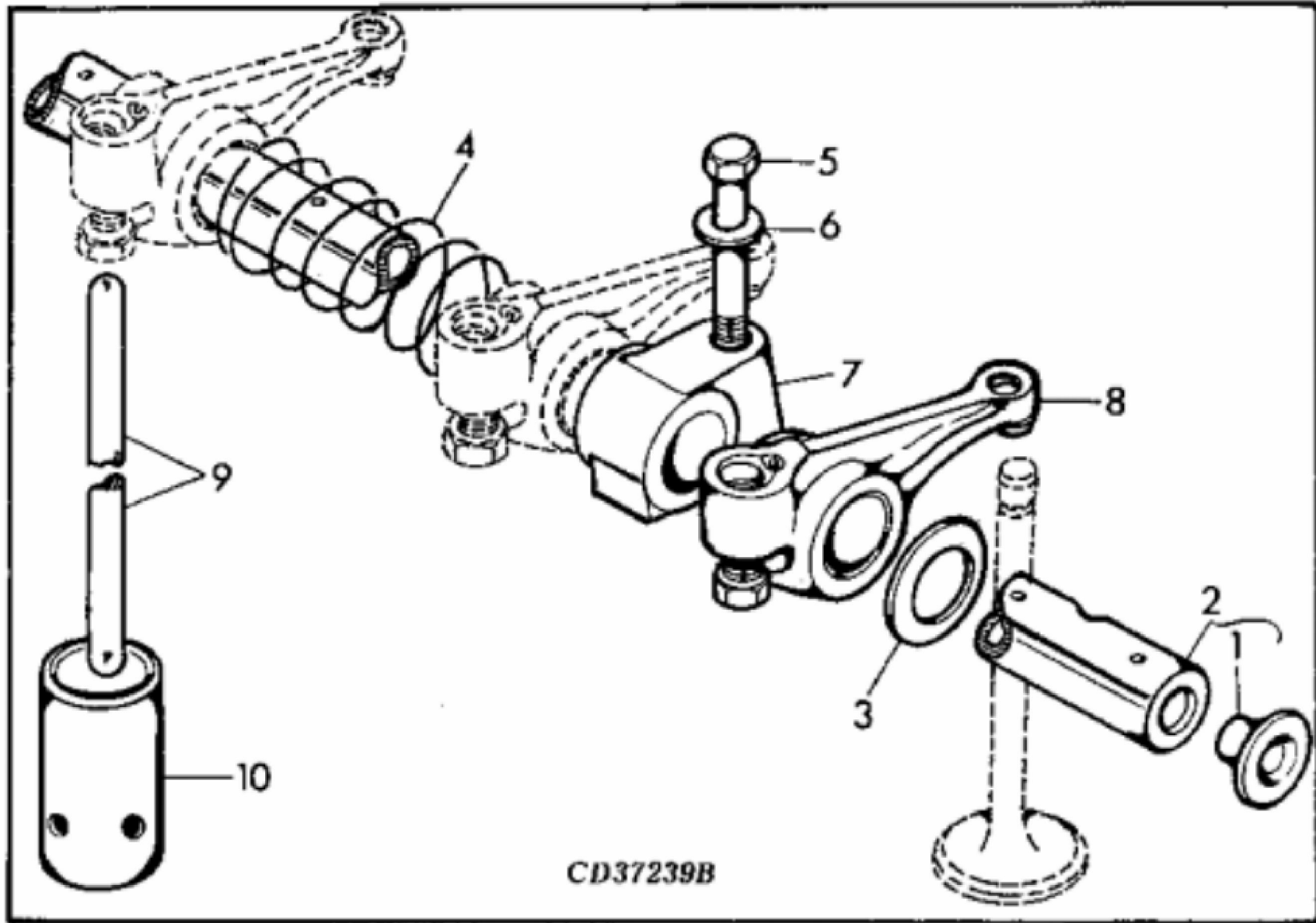
John Deere > Turf And Utility >TRACTOR >5500N - TRACTOR >5300N, 5400N, 5500N Tractors (Europe Edition) >20 ENGINE CD3029DAT01, CD3029TAT02, CD4039TAT01 >ST115482 - VALVE COVER (DAT01, TAT02)

KEY	PART NO.	PART NAME	QTY	REMARKS	
1	RE44202	VALVE COVER	1		
2	R106796	GASKET	1	(CUT TO LENGTH) LGTH= 1256MM	
3	RE32140	SCREW WITH WASHER	6		



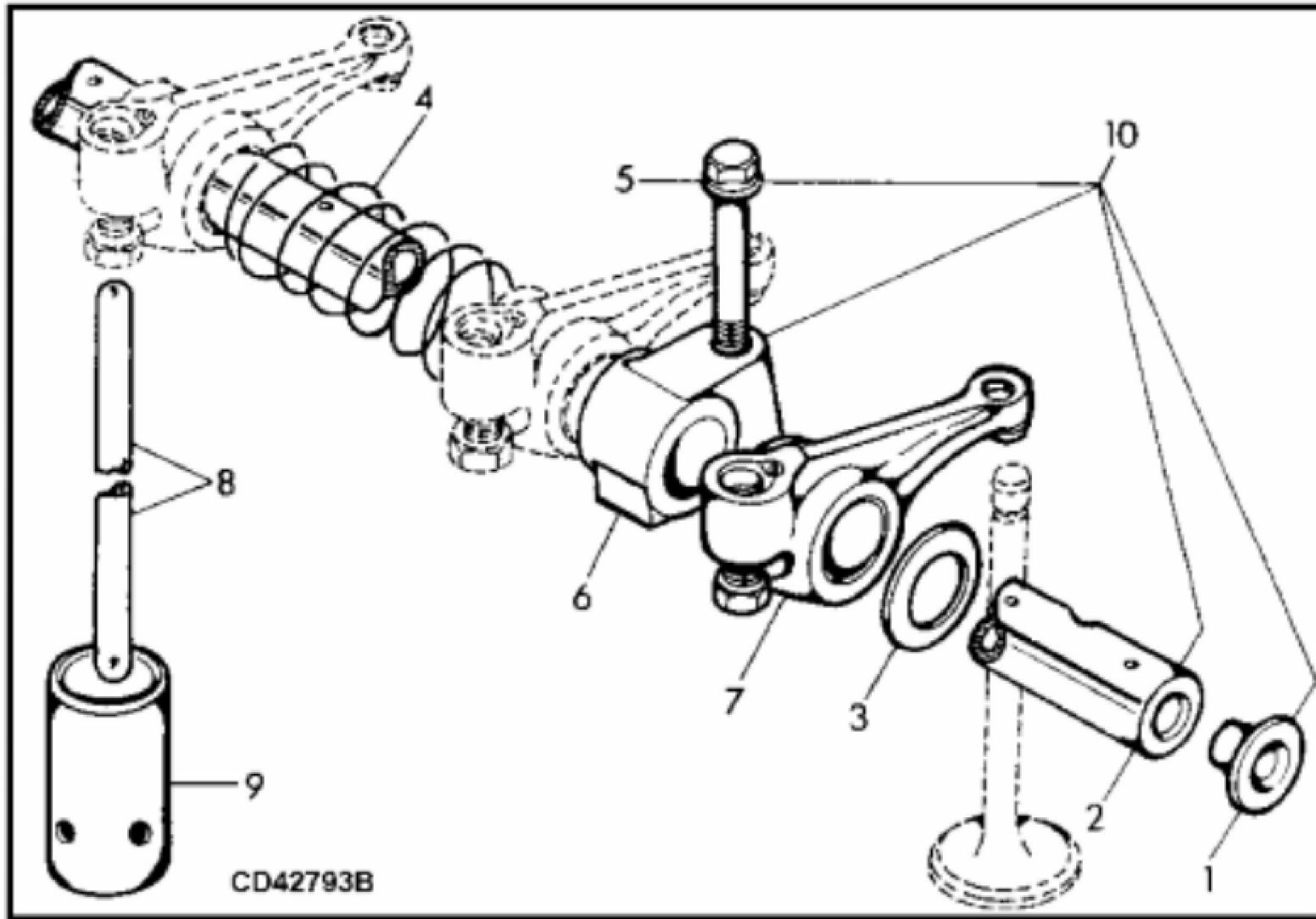
CD42516

KEY	PART NO.	PART NAME	QTY	REMARKS	
1	R56463	O-RING	1	21.819 X 3.531 mm	
2	R92154	ELBOW FITTING	1		
3	TY22466	CLAMP	1	(SUB FOR AT18904)	
4	R122401	TUBE	1	(CUT TO LENGTH) LGTH= 1290MM	



John Deere > Turf And Utility >TRACTOR >5500N - TRACTOR >5300N, 5400N, 5500N Tractors (Europe Edition) >20 ENGINE CD3029DAT01, CD3029TAT02, CD4039TAT01 >ST115485 - ROCKER ARM / SHAFT / TAPPET / PUSH ROD (DAT01, TAT02) (- 394178)

KEY	PART NO.	PART NAME	QTY	REMARKS
1	R54565	PLUG	2	
2	DD12119	ROCKER ARM SHAFT	1	(ORDER RE519735 AND (6) R515095)
3	T20316	WASHER	2	
4	T20314	SPRING	2	
5	19H3031	CAP SCREW	3	3/8" X 2-1/2"
6	R42729	WASHER	3	
7	T20315	SUPPORT	3	(ORDER RE519735 AND (6) R515095)
8	RE31973	ROCKER ARM	6	(ORDER RE508317 AND R515095)
9	T20310	PUSH ROD	6	LGTH= 234MM, (ORDER R515095 AND RE508317)
10	T20073	CAM FOLLOWER	6	



Thank you so much for reading.  
Please click the “Buy Now!”  
button below to download the  
complete manual.



After you pay.

You can download the most  
perfect and complete manual in  
the world immediately.

Our support email:

[ebooklibonline@outlook.com](mailto:ebooklibonline@outlook.com)