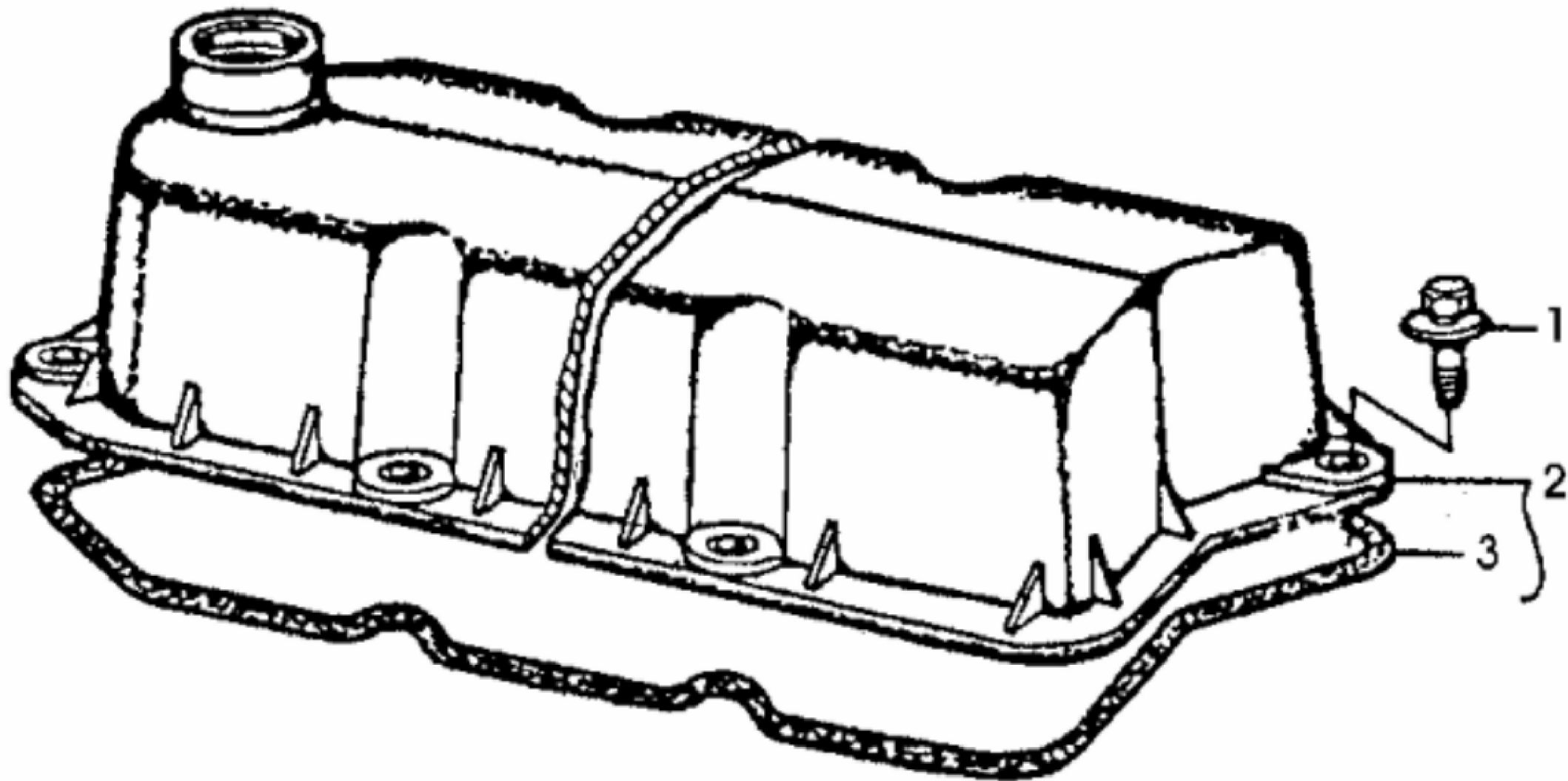


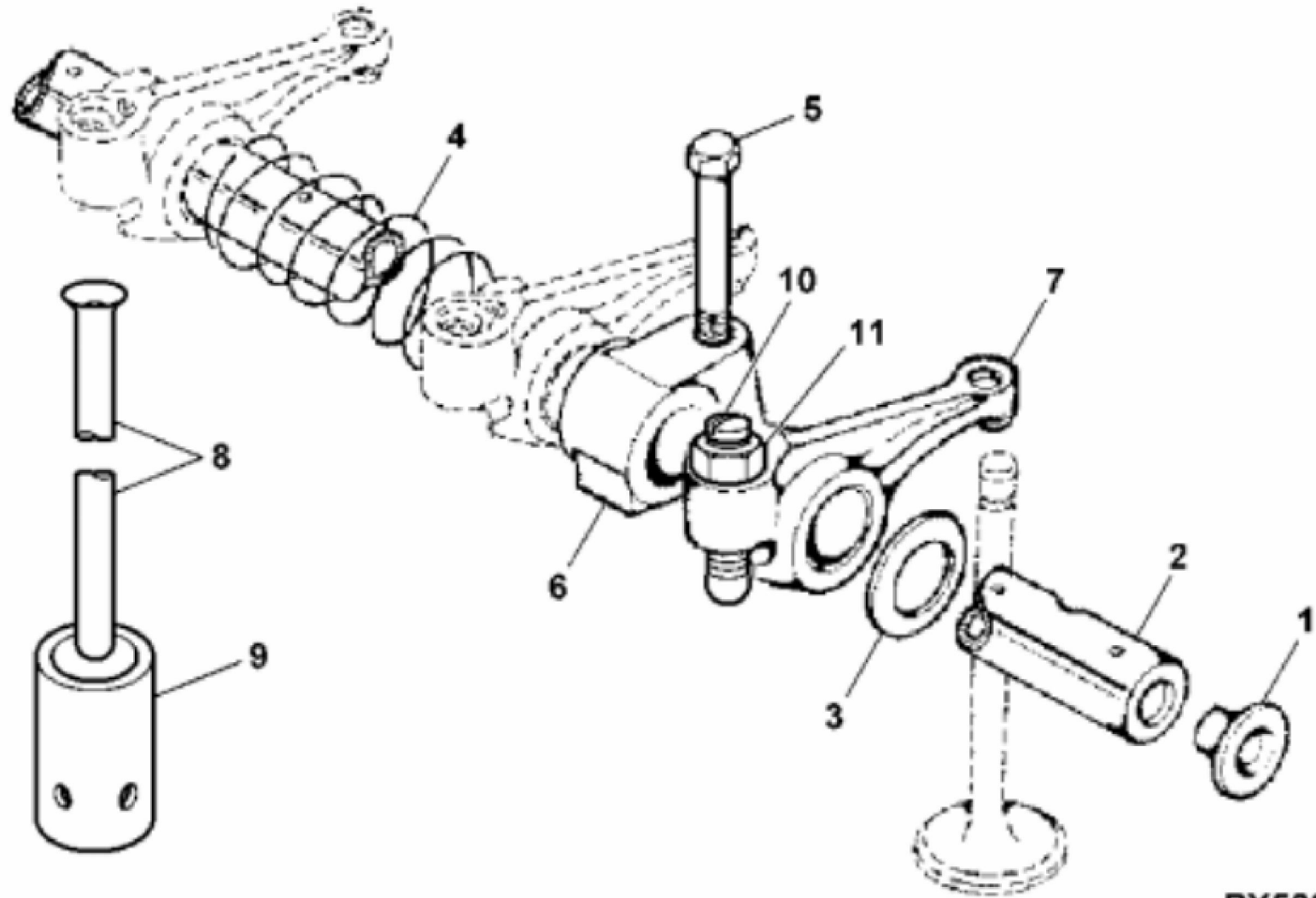
RGP5475

| KEY | PART NO. | PART NAME | QTY | 5303 | 5403 | 5503 | REMARKS | |
|-----|----------|---------------|-----|------|------|------|-----------------------------|--|
| 1 | R56463 | O-RING | 1 | X | X | X | | |
| 2 | R92154 | ELBOW FITTING | 1 | X | X | X | | |
| 3 | TY22467 | CLAMP | 1 | X | X | X | | |
| 4 | R99793 | HOSE | 1 | X | X | | (CUT TO LENGTH 889MM (35')) | |
| 4 | R516895 | HOSE | 1 | | | X | (CUT TO LENGTH 889MM (35')) | |



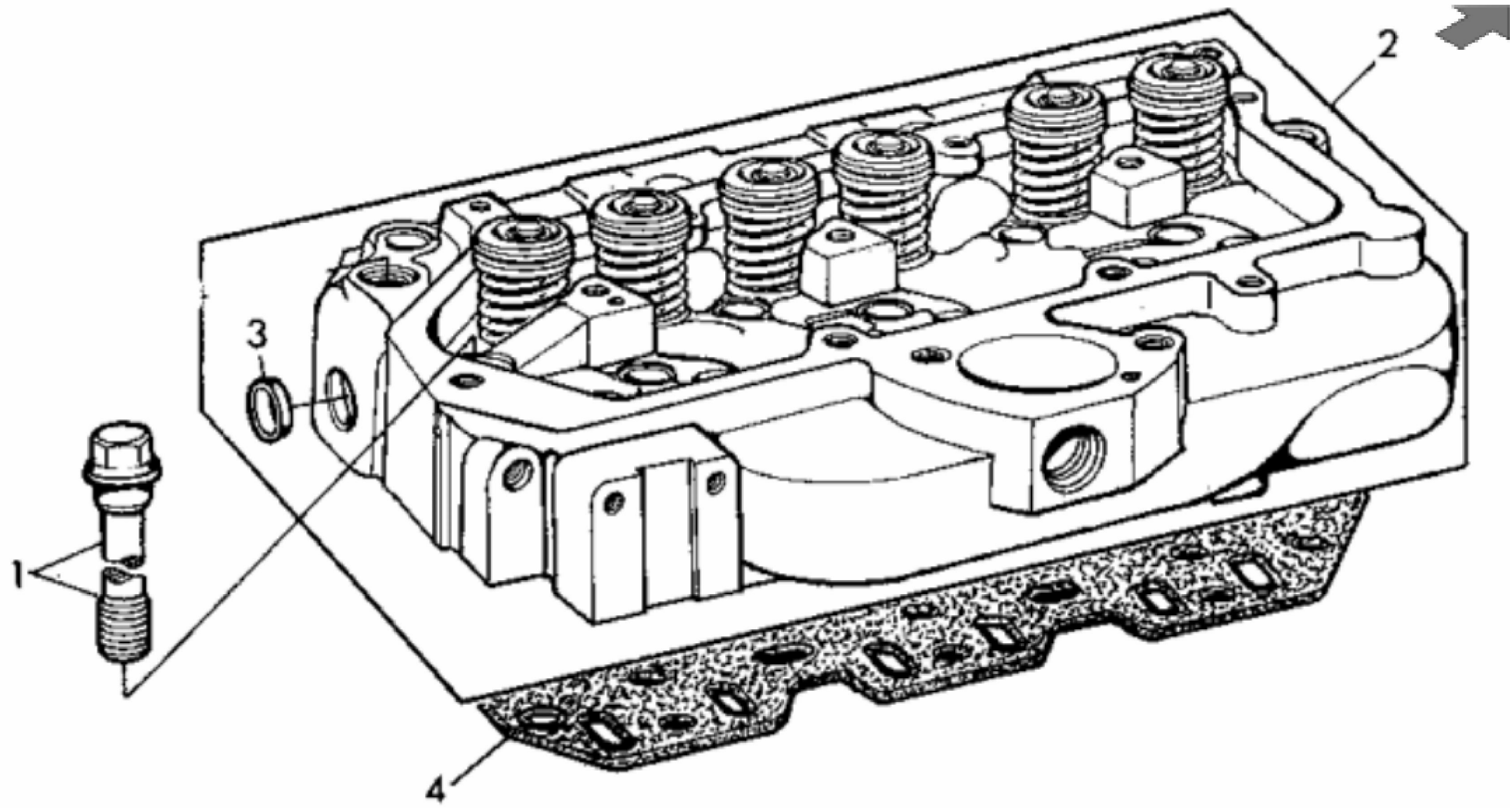
PY50072

| KEY | PART NO. | PART NAME | QTY | 5303 | 5403 | 5503 | REMARKS | |
|-----|----------|-------------------|-----|------|------|------|---------|--|
| 1 | RE32140 | SCREW WITH WASHER | 6 | X | X | X | | |
| 2 | RE515827 | VALVE COVER | 1 | X | X | X | | |
| 3 | R106796 | O-RING | 1 | X | X | X | | |



PY50838

| KEY | PART NO. | PART NAME | QTY | 5303 | 5403 | 5503 | REMARKS | |
|-----|----------|--------------------|-----|------|------|------|-------------------|--|
| 1 | R54565 | PLUG | 2 | X | X | X | | |
| 2 | R501532 | SHAFT | 1 | X | X | X | | |
| 3 | T20316 | WASHER | 2 | X | X | X | | |
| 4 | T20314 | SPRING | 2 | X | X | X | | |
| 5 | R504813 | SELF-LOCKING SCREW | 3 | X | X | X | (HS, SAE 8) | |
| 6 | R123161 | SUPPORT | 3 | X | X | X | (SUB FOR R516741) | |
| 7 | RE62148 | ROCKER ARM | 6 | X | X | X | | |
| 8 | R515095 | PUSH ROD | 6 | X | X | X | | |
| 9 | R515092 | CAM FOLLOWER | 6 | X | X | X | | |
| 10 | R125880 | SCREW | 3 | X | X | X | | |
| 11 | R125881 | LOCK NUT | 3 | X | X | X | | |



Thank you so much for reading.
Please click the “Buy Now!”
button below to download the
complete manual.



After you pay.

You can download the most
perfect and complete manual in
the world immediately.

Our support email:

ebooklibonline@outlook.com