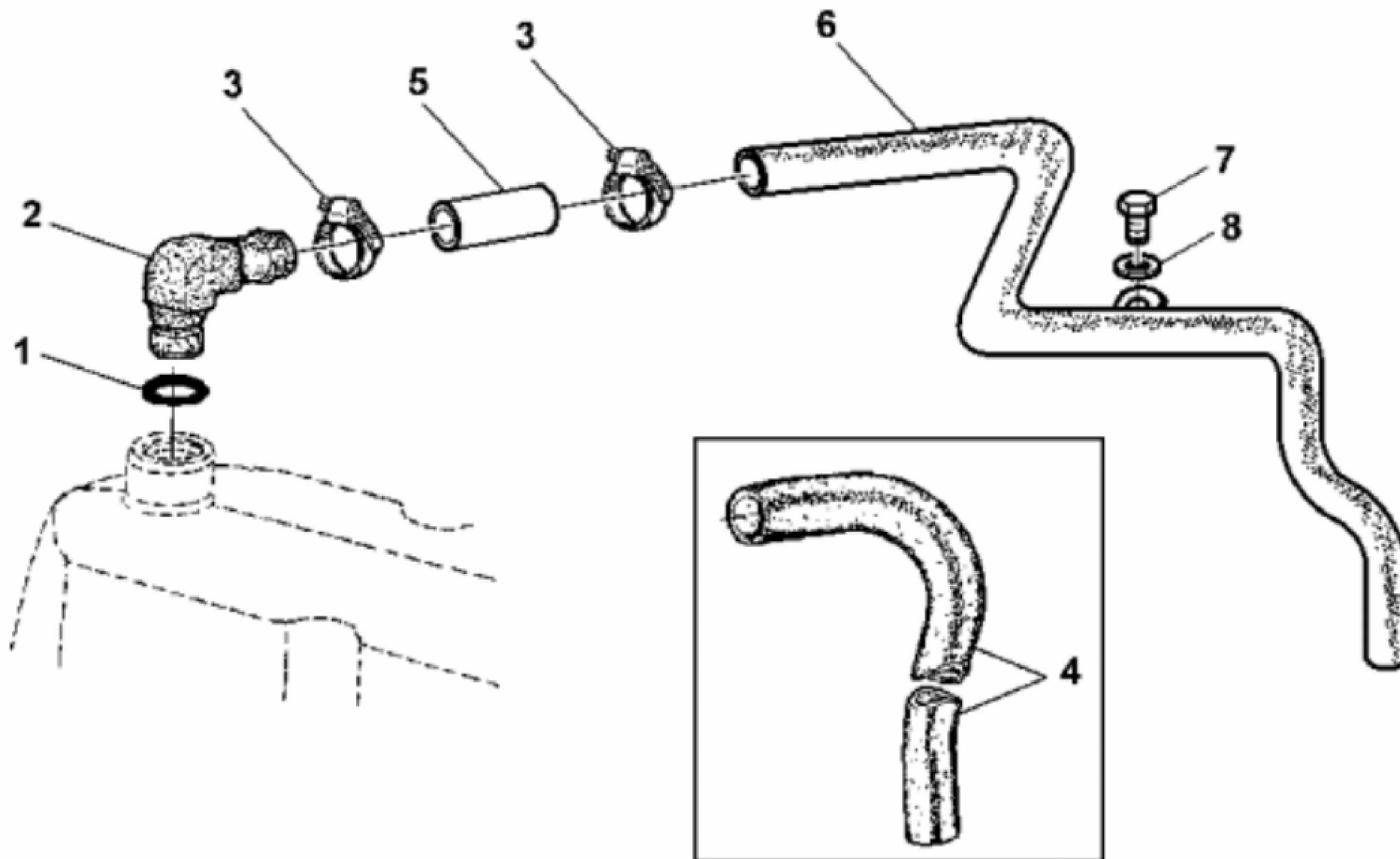


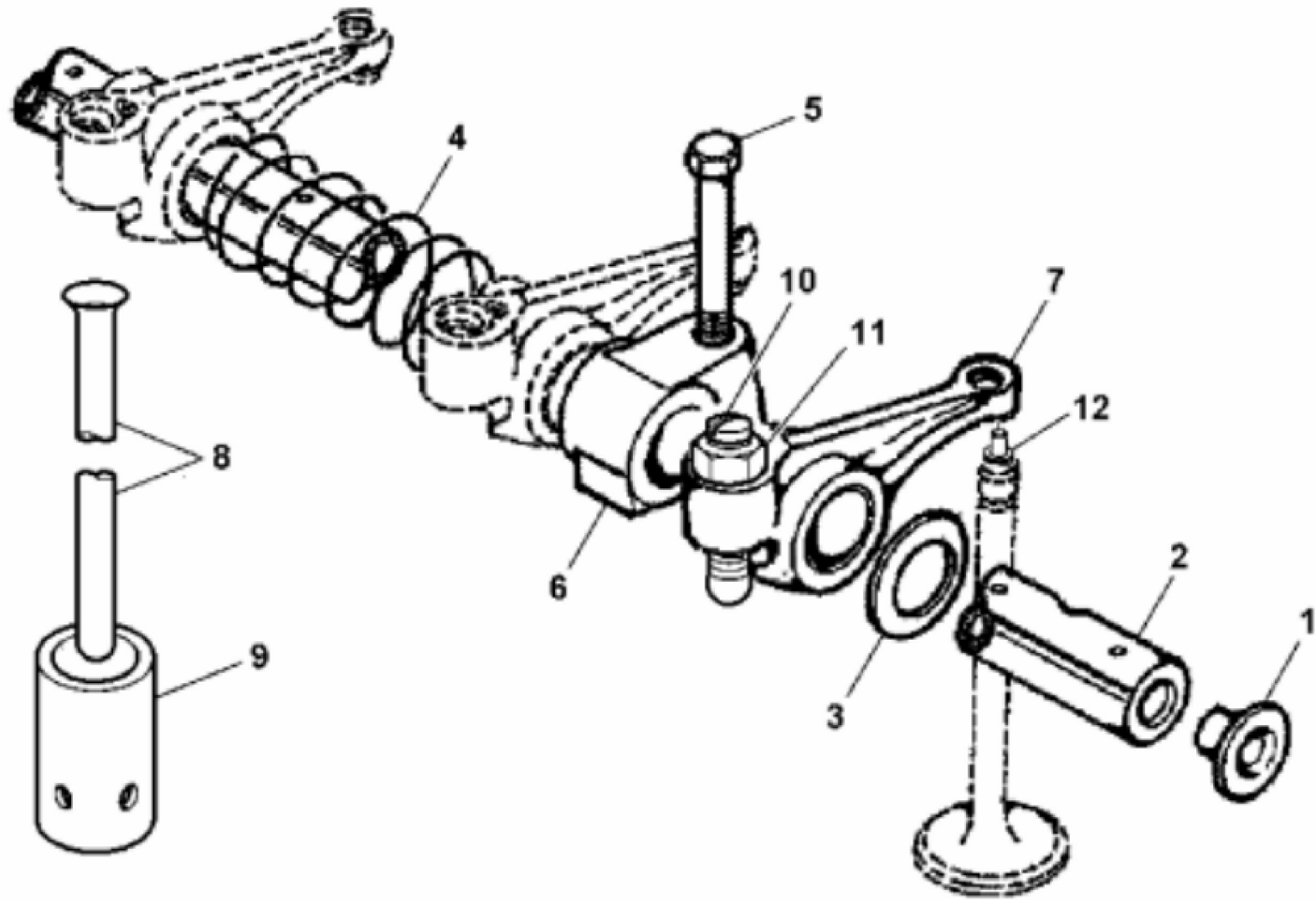
PY51587

KEY	PART NO.	PART NAME	QTY	ALL	REMARKS
1	RE32140	SCREW WITH WASHER	6	X	(UPTO ENGINE SR. NO. 5103S-125584, 5203-125585)
1	AR103811	SCREW WITH WASHER	6	X	(FROM ENGINE SR. NO. 5103S-125585, 5203-125586, 5104/5204-000001, 5038D-000001)
2A	RE515827	VALVE COVER	1	X	(UPTO ENGINE SR. NO. 5103S-125584, 5203-125585)
2B	RE526534	COVER	1	X	(FROM ENGINE SR. NO. 5103S-125585, 5203-125586, 5104/5204-000001, 5038D-000001)
3	R106796	O-RING	1	X	(UPTO ENGINE SR. NO. 5103S-125584, 5203-125585)
3	R75729	GASKET	1	X	(FROM ENGINE SR. NO. 5103S-125585, 5203-125586, 5104/5204-000001, 5038D-000001)
4	R90788	PLUG	1	X	(FROM ENGINE SR. NO. 5103S-125585, 5203-125586, 5104/5204-000001, 5038D-000001)
5	T20328	GASKET	1	X	(FROM ENGINE SR. NO. 5103S-125585, 5203-125586, 5104/5204-000001, 5038D-000001)



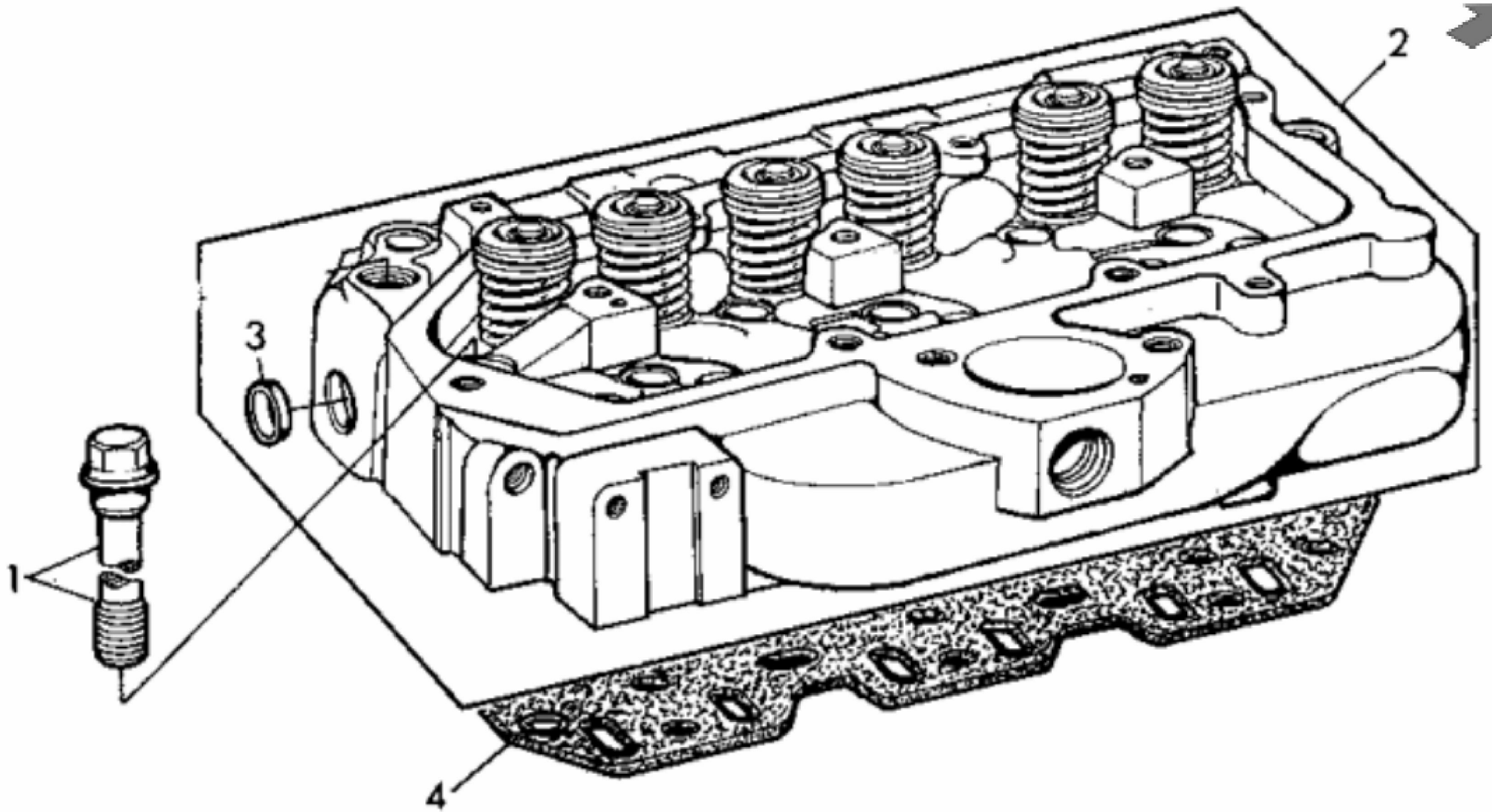
PY50837

KEY	PART NO.	PART NAME	QTY	ALL	REMARKS
1	R56463	O-RING	1	X	
2	R92154	ELBOW FITTING	1	X	
3	AT18904	CLAMP	2	X	
4	R99793	HOSE	1	X	(UPTO SERIAL NO. 5103S-005273, 5203-002524) LGTH=889 MM (35")
5	R519549	VENT	1	X	(FROM SERIAL NO. 5103S-005274, 5203-002525, 5104/5204-000001, 5038D-000001)
6	RE522889	VENT	1	X	(FROM SERIAL NO. 5103S-005274, 5203-002525, 5104/5204-000001, 5038D-000001)
7	19H1255	CAP SCREW	1	X	3/8" X 5/8"
8	T30726	STRAP	1	X	



PY52171

KEY	PART NO.	PART NAME	QTY	ALL	REMARKS	
1	R54565	PLUG	2	X		
2	R501532	SHAFT	1	X		
3	T20316	WASHER	2	X		
4	T20314	SPRING	2	X		
5	R504813	SELF-LOCKING SCREW	3	X		
6	R516741	SUPPORT	3	X		
7	RE62148	ROCKER ARM	6	X	INCL KEYS 10 AND 11	
8	R515095	PUSH ROD	6	X		
9	R515092	CAM FOLLOWER	6	X		
10	R515577	SCREW	6	X		
11	R125881	LOCK NUT	6	X		
12	T26872	INSERT	6	X		



Thank you so much for reading.
Please click the “Buy Now!”
button below to download the
complete manual.



After you pay.

You can download the most
perfect and complete manual in
the world immediately.

Our support email:

ebooklibonline@outlook.com