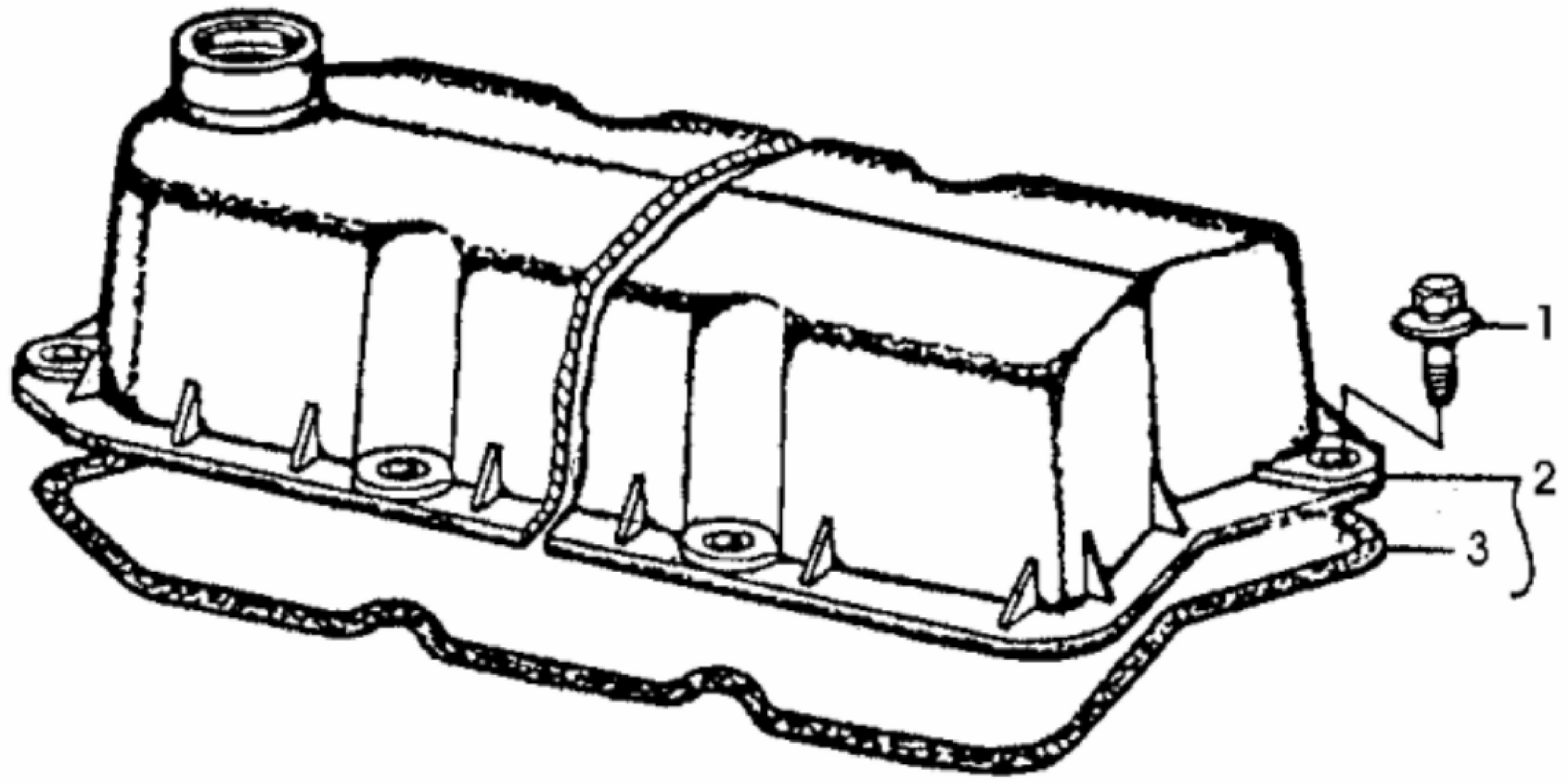


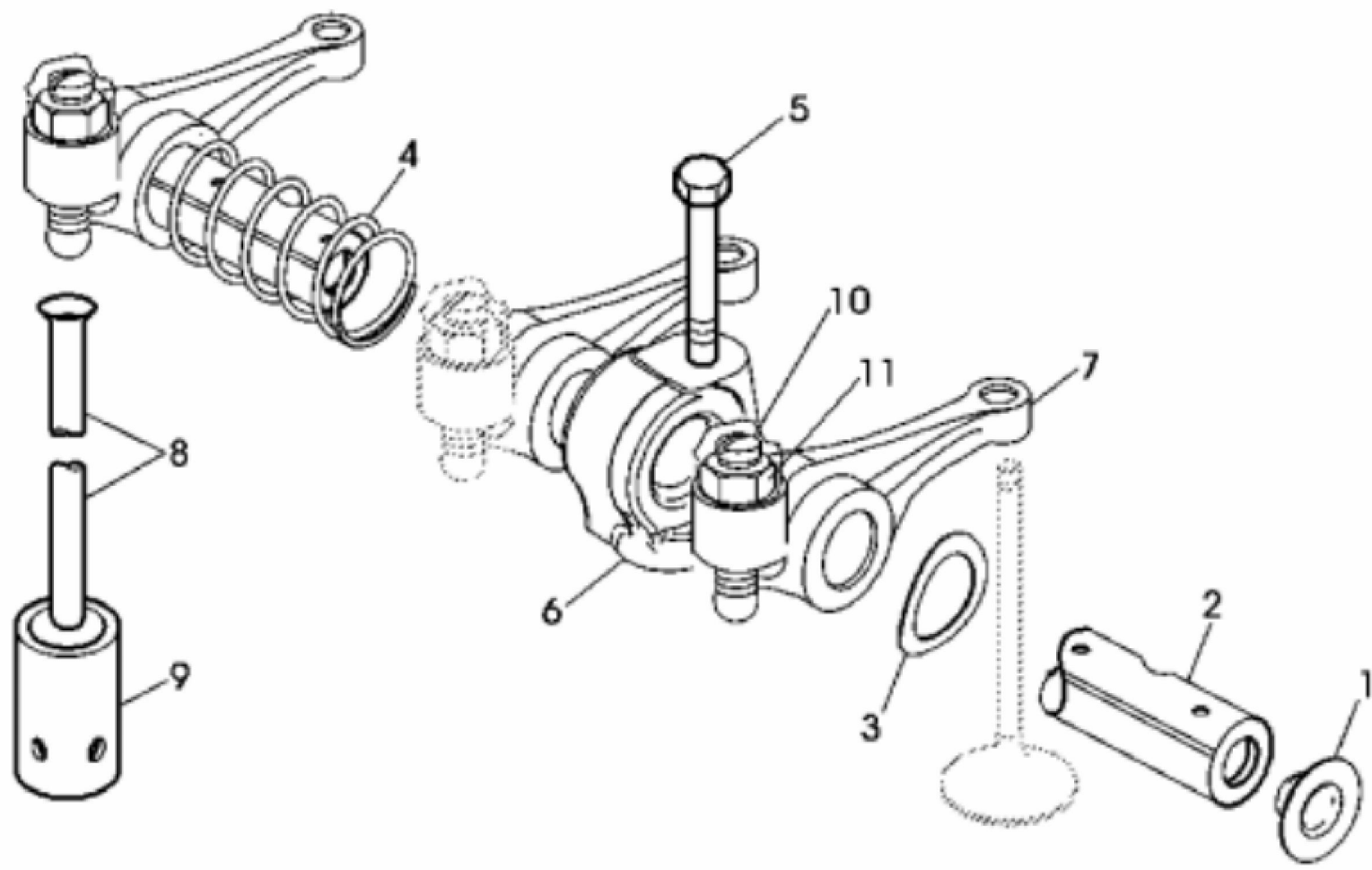
RGP5475

KEY	PART NO.	PART NAME	QTY	5303	5403	REMARKS	
1	R56463	O-RING	1	X	X		
2	R92154	ELBOW FITTING	1	X	X		
3	TY22467	CLAMP	1	X	X	SUB FOR AT18904	
4	R122401	HOSE	1	X	X	(5303(-XXXXXX), 5403(-XXXXXX),)	
4	R516895	HOSE	1	X	X	(5303(XXXXXX- ), 5403(XXXXXX- ).)	



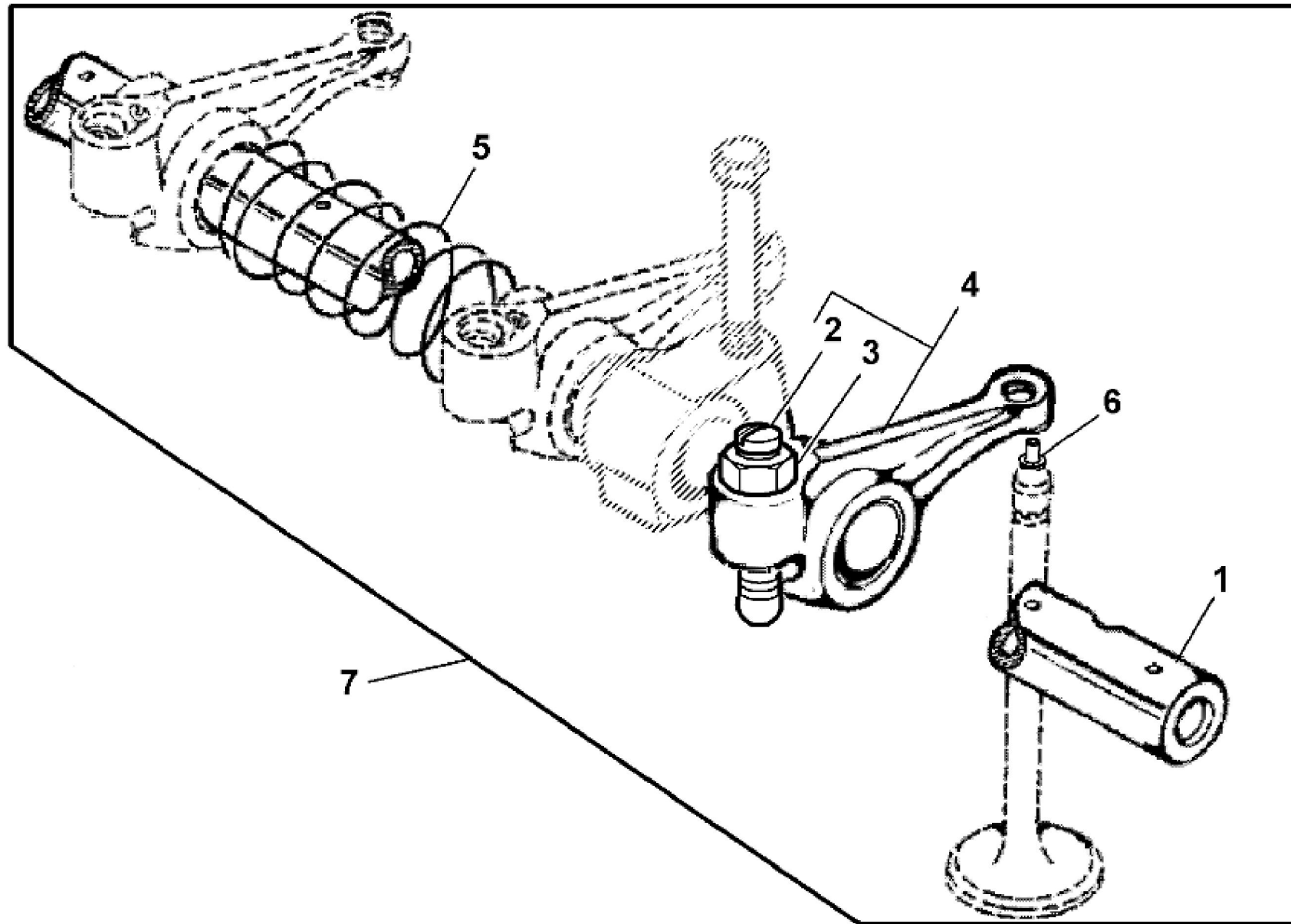
PY50072

KEY	PART NO.	PART NAME	QTY	5303	5403	REMARKS	
1	RE32140	SCREW WITH WASHER	6	X	X		
2	RE515827	VALVE COVER	1	X	X		
3	R106796	O-RING	1	X	X		



PY51627

KEY	PART NO.	PART NAME	QTY	5303	5403	REMARKS	
1	R54565	PLUG	2	X	X		
2	.....	SHAFT	1	X	X	NLA; ORDER RE519735	
2	RE519735	ROCKER ARM SHAFT	1	X	X	SUB FOR R501532	
3	T20316	WASHER	2	X	X		
4	T20314	SPRING	2	X	X		
5	R504813	SELF-LOCKING SCREW	3	X	X	H5= 10.9; SAE 8	
6	R123161	SUPPORT	3	X	X	(5303(-XXXXXX), 5403(-XXXXXX)) SUB FOR R516741	
7	RE62148	ROCKER ARM	6	X	X		
8	R515095	PUSH ROD	6	X	X		
9	R515092	CAM FOLLOWER	6	X	X		
10	R125880	SCREW	3	X	X	(5303(-XXXXXX), 5403(-XXXXXX))	
10	R515577	SCREW	3	X	X	(5303(XXXXXX- ), 5403(XXXXXX- ))	
11	R125881	LOCK NUT	3	X	X		



PY52172

Thank you so much for reading.  
Please click the “Buy Now!”  
button below to download the  
complete manual.



After you pay.

You can download the most  
perfect and complete manual in  
the world immediately.

Our support email:

[ebooklibonline@outlook.com](mailto:ebooklibonline@outlook.com)