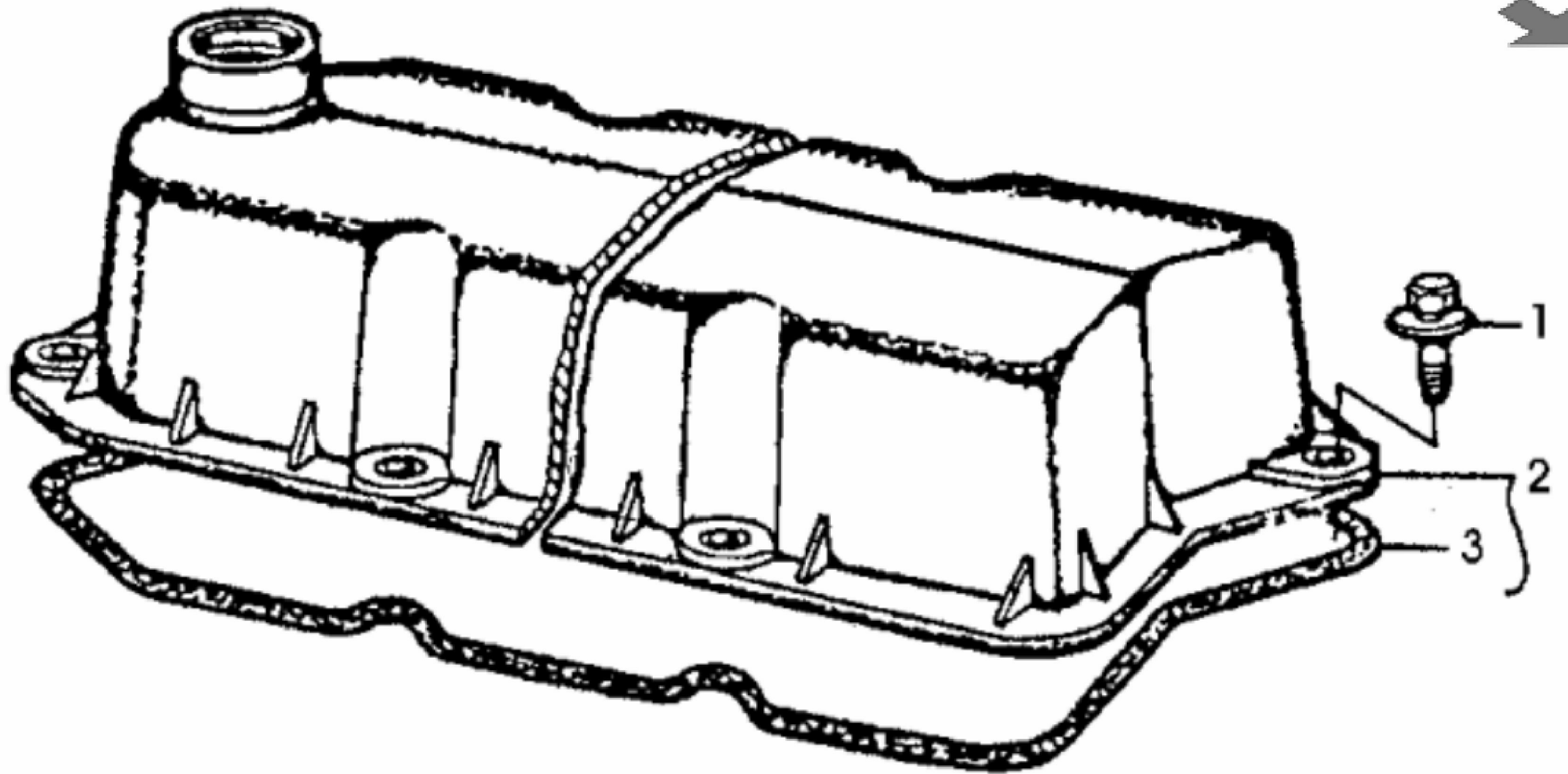


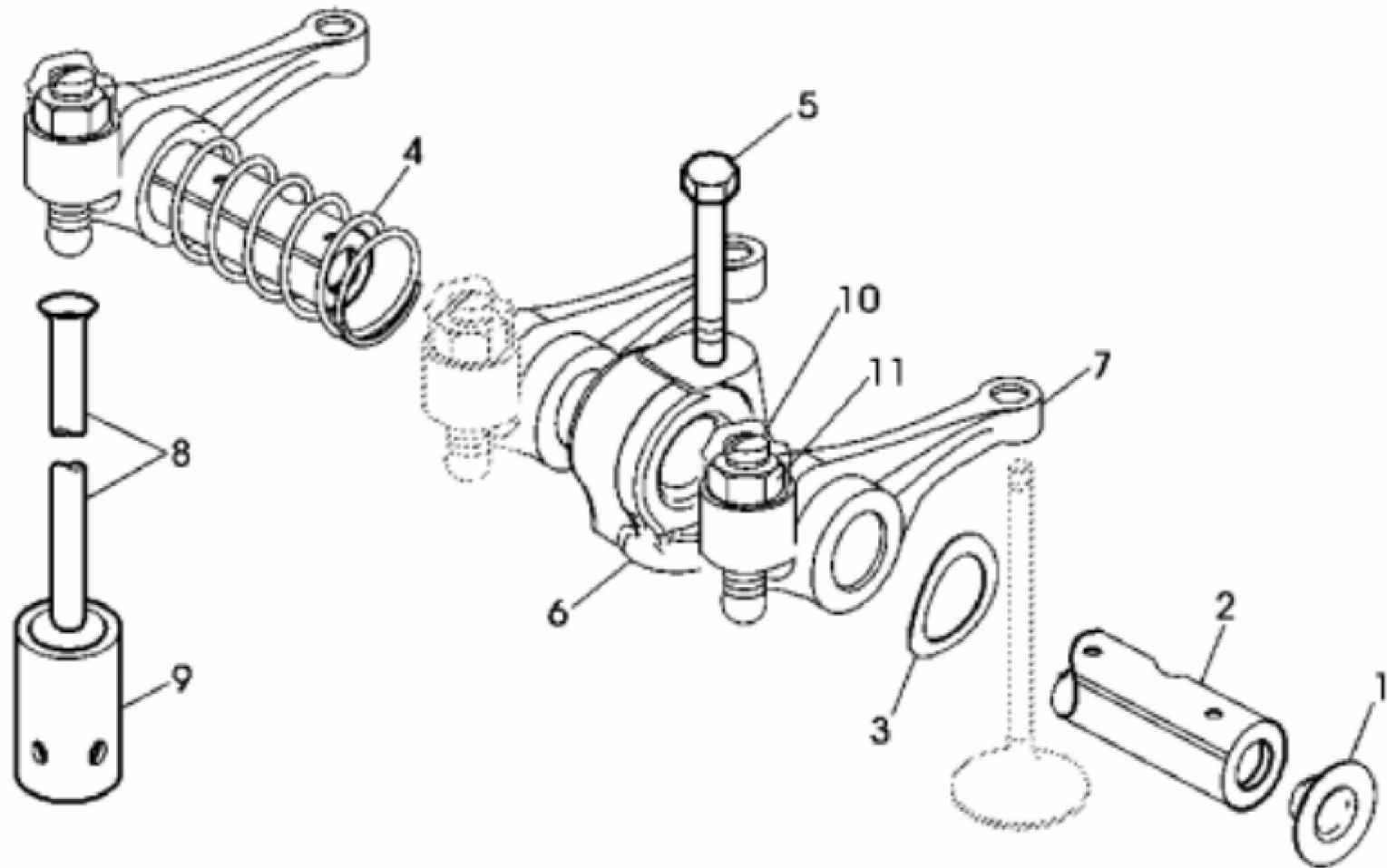
RGP5475

KEY	PART NO.	PART NAME	QTY	ALL	REMARKS	
1	R56463	O-RING	1	X		
2	R92154	ELBOW FITTING	1	X		
3	TY22467	CLAMP	1	X	SUB FOR AT18904	
4	R122401	TUBE	1	X	LGTH = 889 mm	



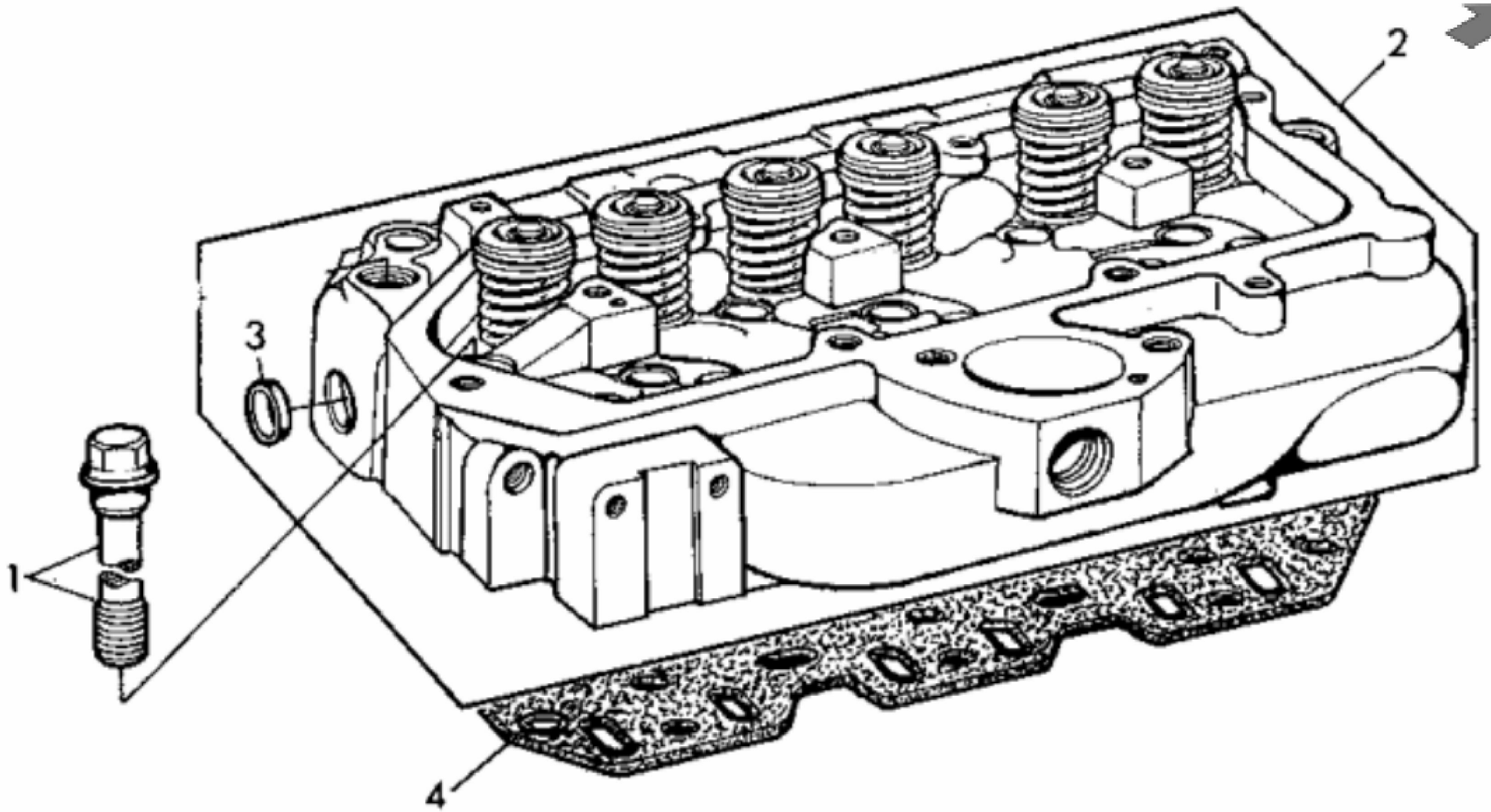
PY50072

KEY	PART NO.	PART NAME	QTY	ALL	REMARKS	
1	RE32140	SCREW WITH WASHER	6	X		
2	RE44202	VALVE COVER	1	X	(5103(-016056), 5203(-007036), 5303(-009145), 5403(-002432))	
2	RE515827	VALVE COVER	1	X	(5103(016057-), 5203(007037-), 5303(009146-), 5403(002433-))	
3	R106796	GASKET	1	X	(CUT TO LENGTH, THIS APPLICATION ONLY)	



PY51627

KEY	PART NO.	PART NAME	QTY	ALL	REMARKS	
1	R54565	PLUG	2	X		
2	R501532	SHAFT	1	X		
3	T20316	WASHER	2	X		
4	T20314	SPRING	2	X		
5	R504813	SELF-LOCKING SCREW	3	X	HS= 10.9; SAE 8	
6	R123161	SUPPORT	3	X	SUB FOR R516741	
7	RE62148	ROCKER ARM	6	X		
8	R515095	PUSH ROD	6	X		
9	R515092	CAM FOLLOWER	6	X		
10	R125880	SCREW	3	X		
11	R125881	LOCK NUT	3	X		



Thank you so much for reading.
Please click the “Buy Now!”
button below to download the
complete manual.



After you pay.

You can download the most
perfect and complete manual in
the world immediately.

Our support email:

ebooklibonline@outlook.com