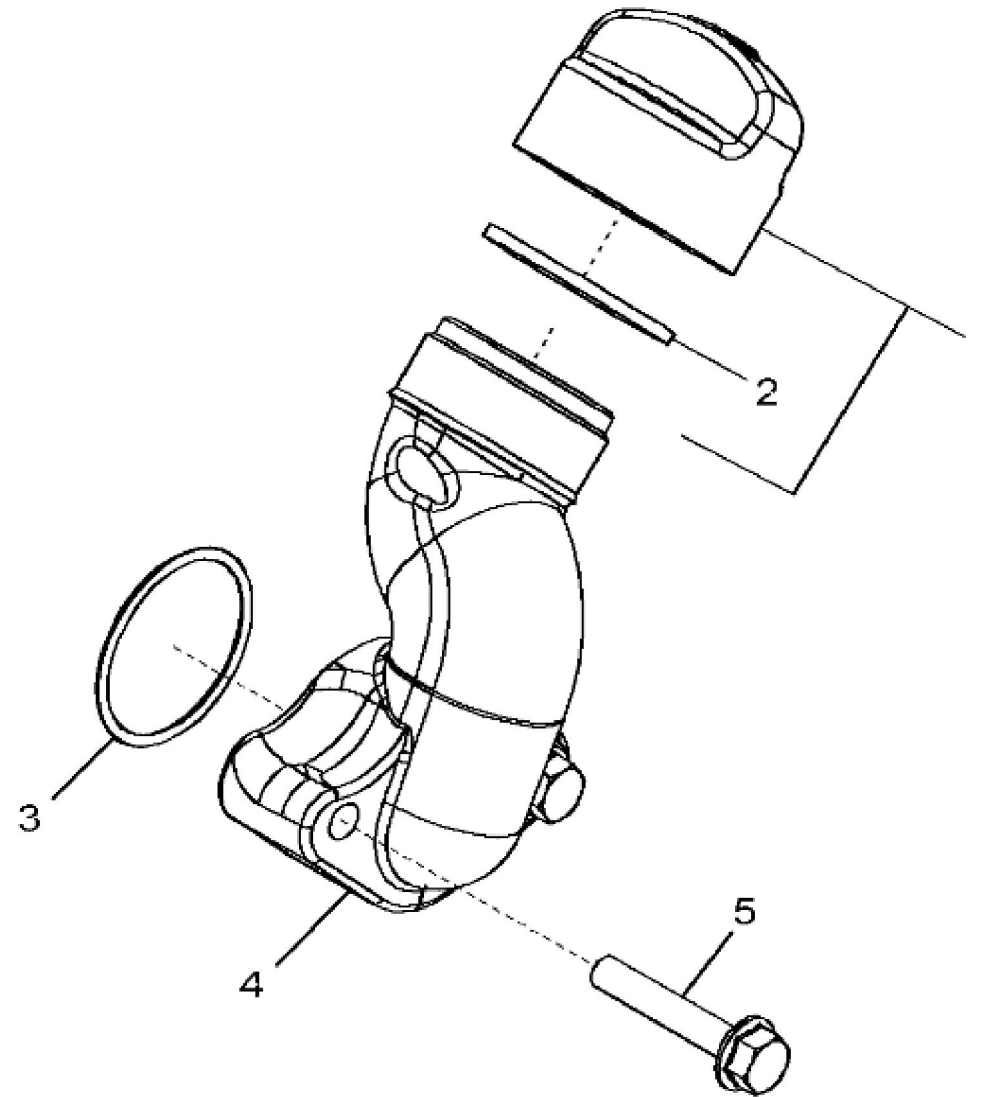


John Deere > Turf And Utility > TRACTOR > 6150R - TRACTOR > 6150R, 6150RH Tractor (North America Edition, Engine SN: 6068RXXXXXX)(Interim Tier 4) > 20 ENGINE 6068RW405-RE549557-ETN90011-ETN90010 > ST164694 - 1174 ROCKER ARM COVER

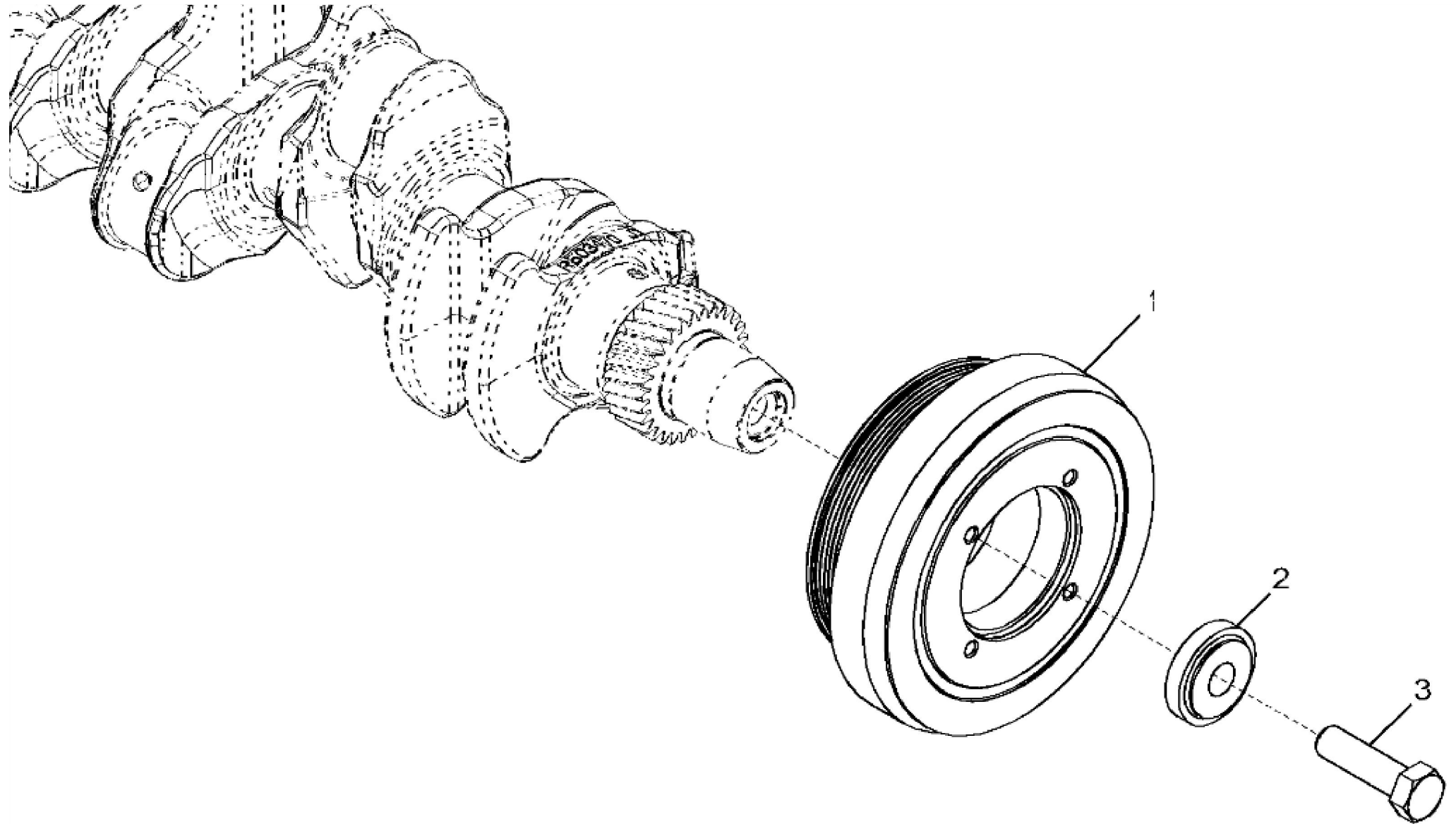
KEY	PART NO.	PART NAME	QTY	REMARKS
1	RE555026	VALVE COVER	1	MARKED R537224; ALSO ORDER TY22462, R536108 AND R534105; SUB FOR R529152
2	RE542918	VALVE	1	
3	19M7867	SCREW	15	M8 X 25
4	R534105	DEFLECTOR	1	USE WITH RE555026
4	R528408	DEFLECTOR	1	USE WITH R529152
5	19M7775	SCREW	2	M6 X 16
6	R528743	GASKET	1	
7	R532038	VALVE	1	USE WITH R529152
8	R536108	HOSE	1	ORDER DZ10571
8	DZ10571	HOSE	1	
9	TY22462	CLAMP	1	



1245_RE540562_PCD

John Deere > Turf And Utility >TRACTOR >6150R - TRACTOR >6150R, 6150RH Tractor (North America Edition, Engine SN: 6068RXXXXXX)(Interim Tier 4) >20 ENGINE 6068RW405-RE549557-ETN90011-ETN90010 >ST330703 - 1245 OIL FILLER NECK

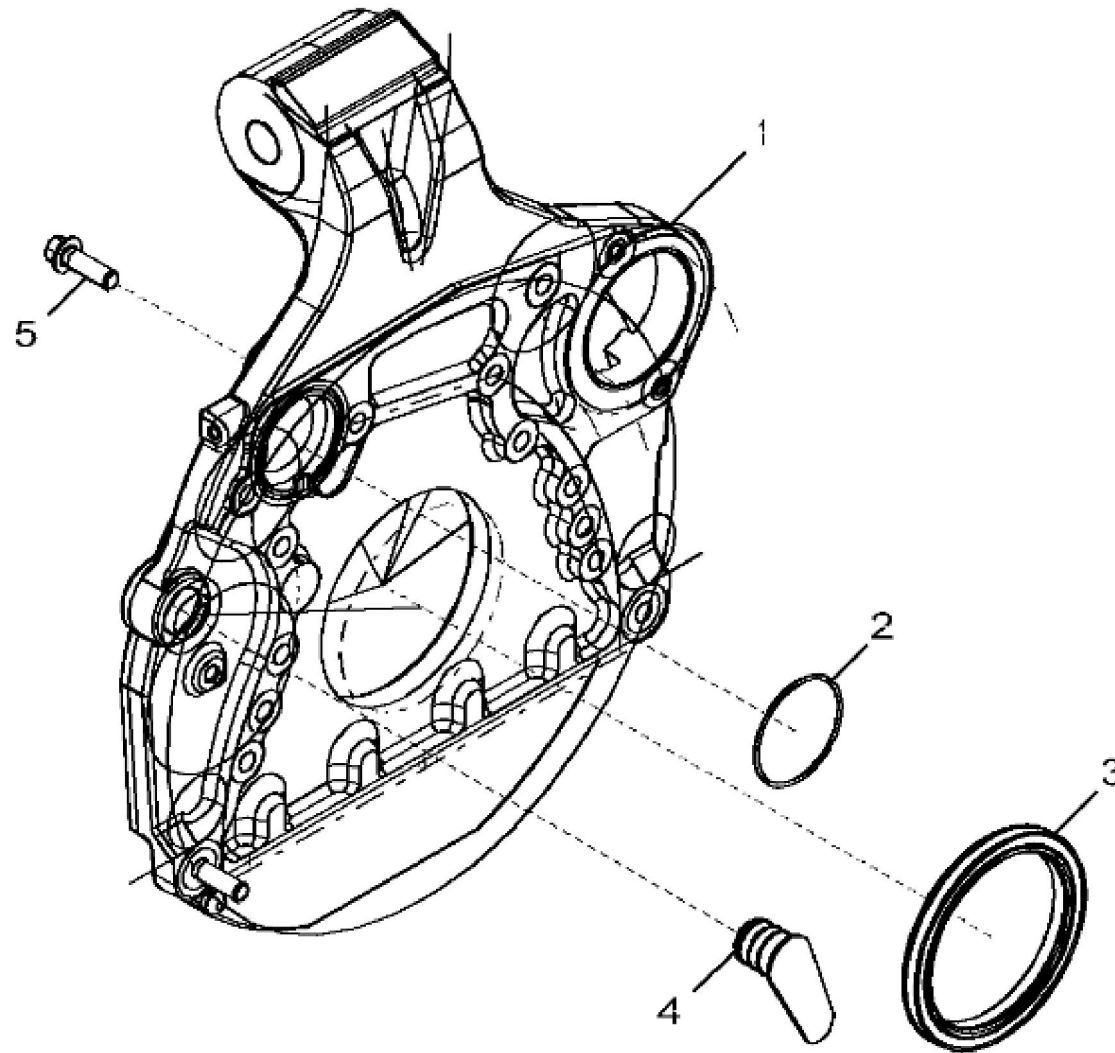
KEY	PART NO.	PART NAME	QTY	REMARKS	
1	RE529554	FILLER CAP	1		
2	R80135	GASKET	1		
3	R528344	O-RING	1	44.120 X 2.616 mm	
4	R529447	FILLER NECK	1		
5	19M7799	SCREW	2	M8 X 45, SUB FOR APPL 19M7798	



1341_RE537577_PCD

John Deere > Turf And Utility > TRACTOR > 6150R - TRACTOR > 6150R, 6150RH Tractor (North America Edition, Engine SN: 6068RXXXXXX)(Interim Tier 4) > 20 ENGINE 6068RW405-RE549557-ETN90011-ETN90010 > ST275176 - 1341 CRANKSHAFT PULLEY

KEY	PART NO.	PART NAME	QTY	REMARKS	
1	DZ103168	PULLEY WITH DAMPENER	1	OD = 188 mm, SUB FOR RE537578	
2	R517237	BUSHING	1		
3	R516648	CAP SCREW	1	(One Time Usage)	



1484_RE542167_PCD

Thank you so much for reading.
Please click the “Buy Now!”
button below to download the
complete manual.



After you pay.

You can download the most
perfect and complete manual in
the world immediately.

Our support email:

ebooklibonline@outlook.com