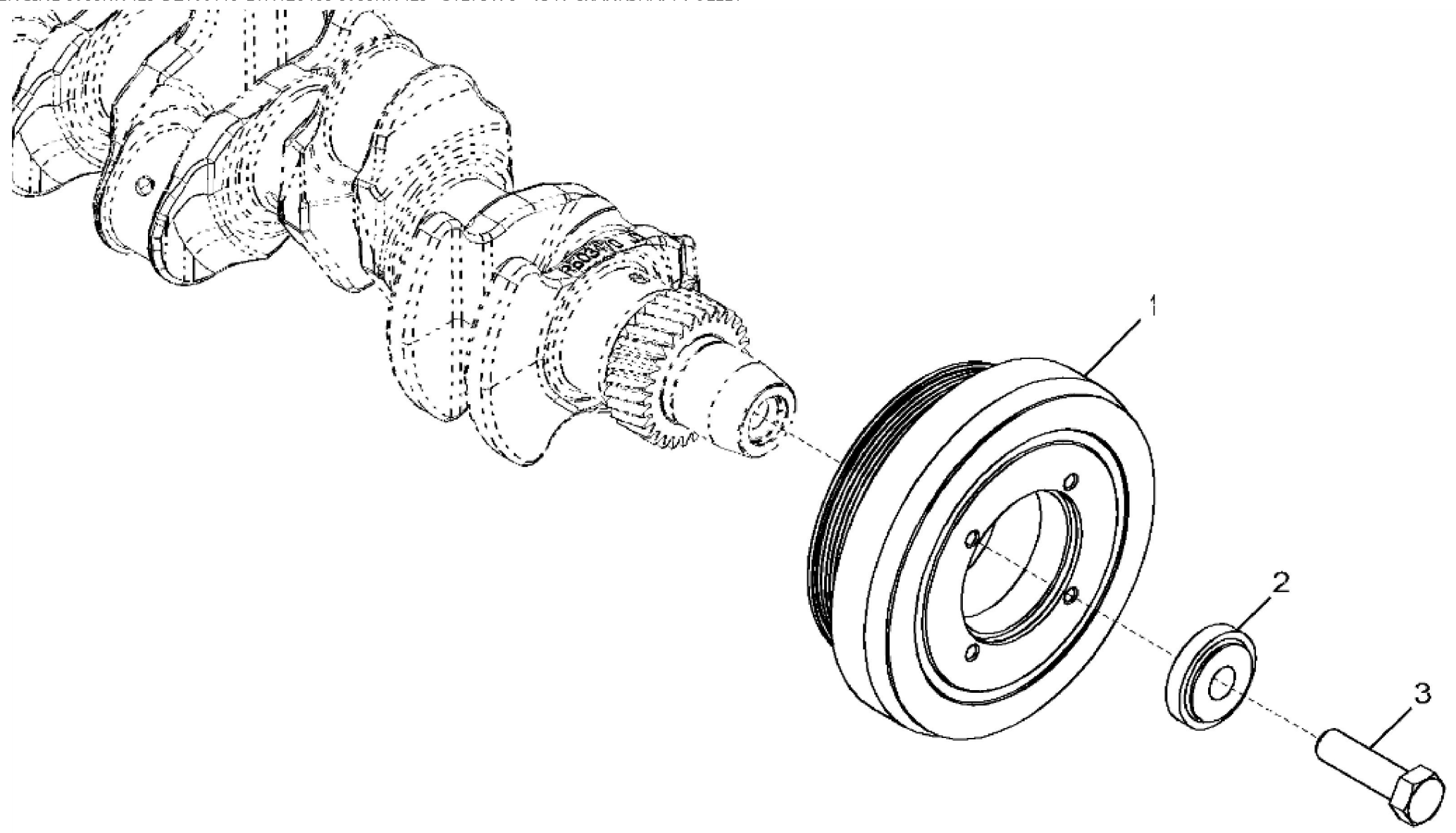


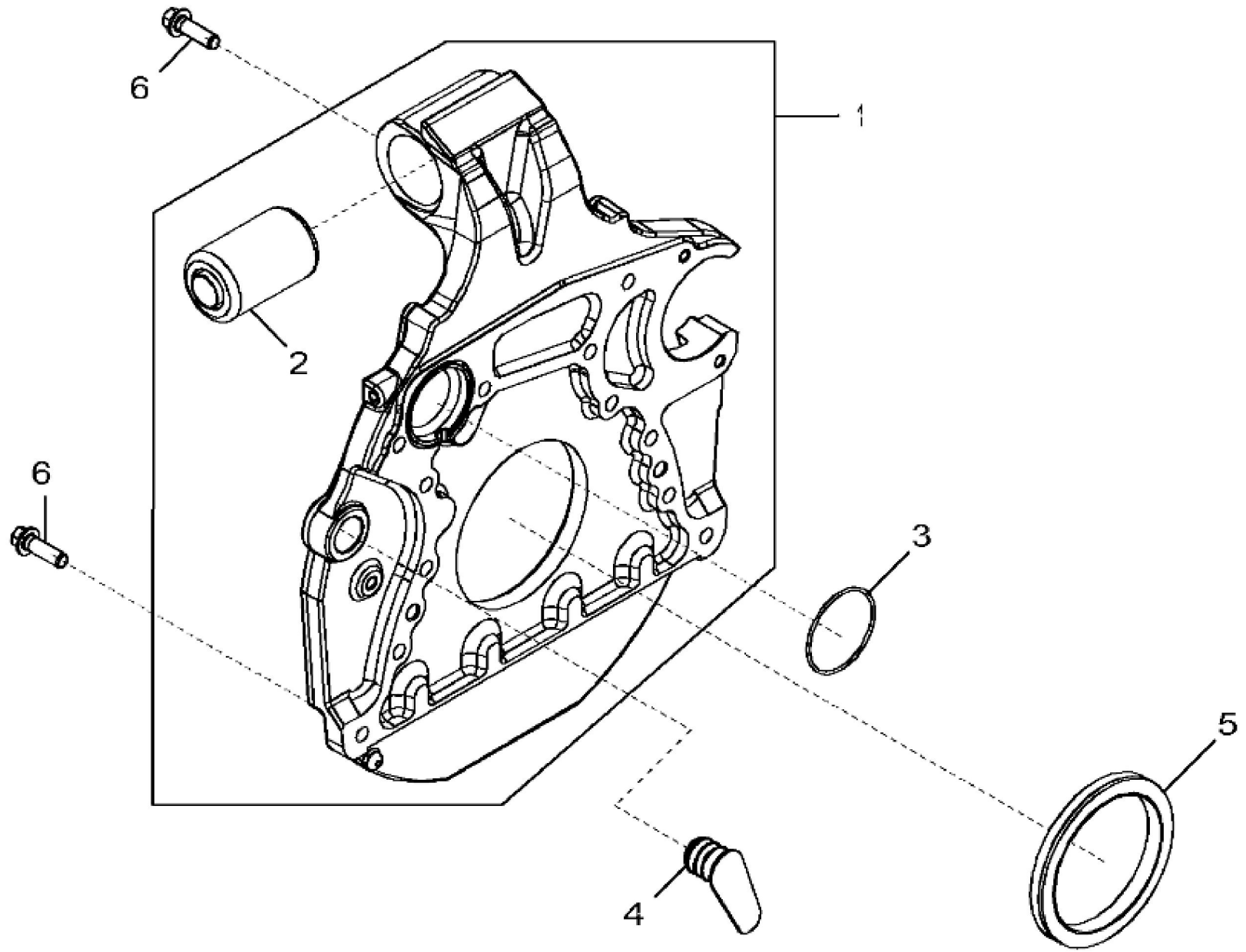
KEY	PART NO.	PART NAME	QTY	REMARKS	
1	RE555026	VALVE COVER	1	MARKED R537224; ALSO ORDER TY22462, R536108 AND R534105; SUB FOR R529152	
2	RE542918	VALVE	1		
3	19M7867	SCREW	15	M8 X 25	
4	R534105	DEFLECTOR	1	USE WITH RE555026	
4	R528408	DEFLECTOR	1	USE WITH R529152	
5	19M7775	SCREW	2	M6 X 16	
6	R528743	GASKET	1		
7	R532038	VALVE	1	USE WITH R529152	
8	R536108	HOSE	1	ORDER DZ10571	
8	DZ10571	HOSE	1		
9	TY22462	CLAMP	1		



1341_RE537577_PCD

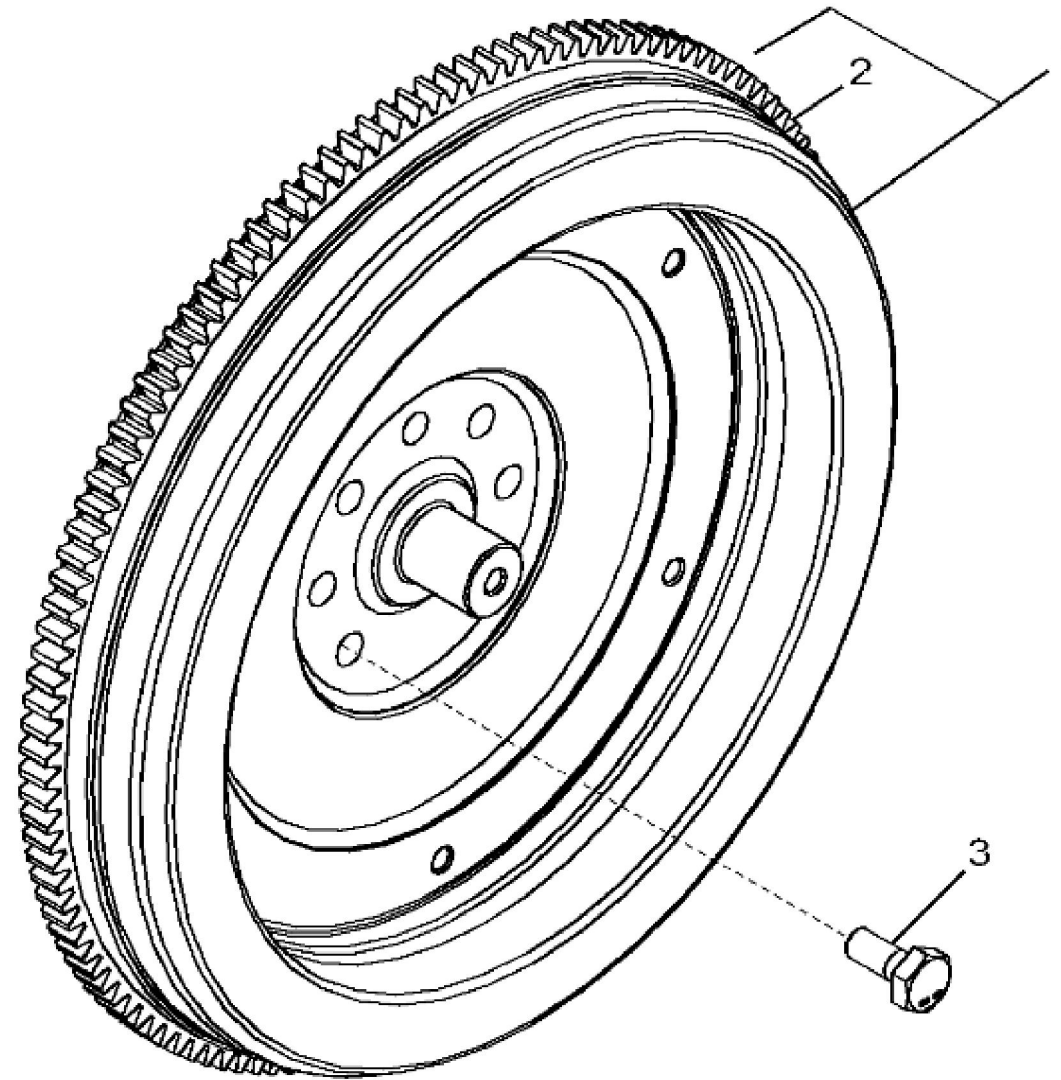
John Deere > Turf And Utility > TRACTOR > 6145R - TRACTOR > 6145R Tractor (North America Edition, Engine SN: 6068UXXXXXX)(Final Tier 4) > E1 ENGINE 6068RW429-DZ100119-ETN126468 > E100 ENGINE 6068RW429-DZ100119-ETN126468 6068RW429 > ST275176 - 1341 CRANKSHAFT PULLEY

KEY	PART NO.	PART NAME	QTY	REMARKS	
1	DZ103168	PULLEY WITH DAMPENER	1	OD = 188 mm, SUB FOR RE537578	
2	R517237	BUSHING	1		
3	R516648	CAP SCREW	1	(One Time Usage)	



John Deere > Turf And Utility > TRACTOR > 6145R - TRACTOR > 6145R Tractor (North America Edition, Engine SN: 6068UXXXXXX)(Final Tier 4) > E1 ENGINE 6068RW429-DZ100119-ETN126468 > E100 ENGINE 6068RW429-DZ100119-ETN126468 6068RW429 > ST572875 - 1448 FLYWHEEL HOUSING

KEY	PART NO.	PART NAME	QTY	REMARKS	
1	RE565739	HOUSING	1	MARKED R543631; SUB FOR RE556605 OR RE544942	
2	ISOLATOR	1	ORDER RE565739	
3	R61467	O-RING	1		
4	R520982	PLUG	1		
5	RE524227	SEAL	1	SUB FOR APPL RE537070	
6	R135918	BOLT	12		



1593_RE526325_PCD

Thank you so much for reading.
Please click the “Buy Now!”
button below to download the
complete manual.



After you pay.

You can download the most
perfect and complete manual in
the world immediately.

Our support email:

ebooklibonline@outlook.com