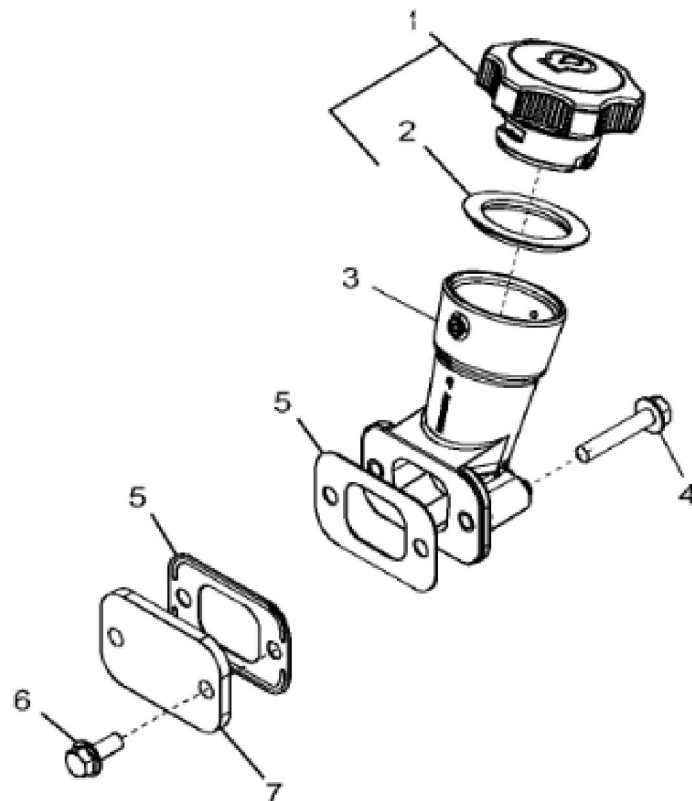
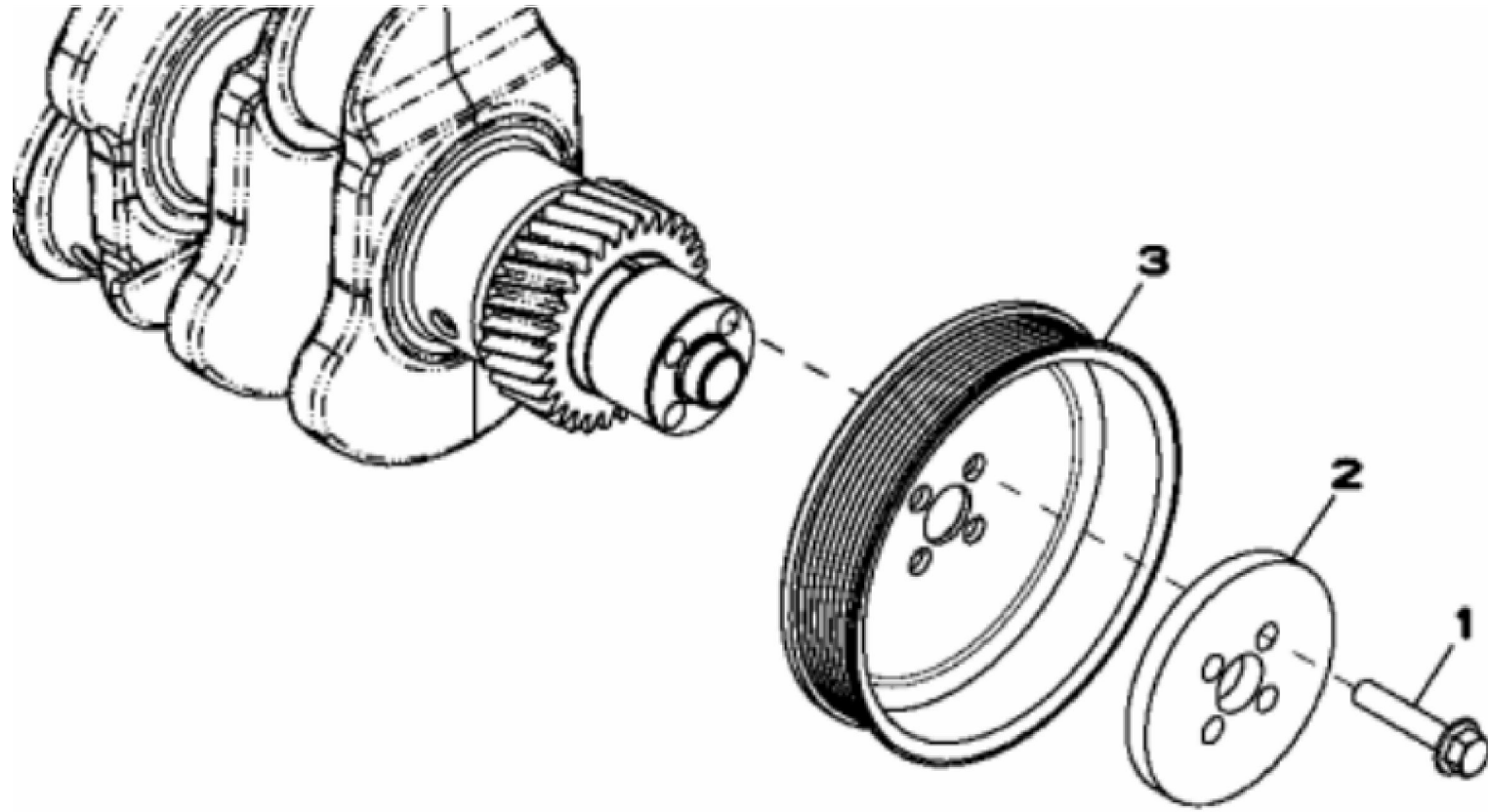


RE59798PCDF01

KEY	PART NO.	PART NAME	QTY	REMARKS	
1	R521401	MEDALLION	1		
2	H23125	PLUG	4		
3	R123574	NUT	4		
4	R123575	O-RING	4		
5	VALVE COVER	1	(MARKED R519779) (ORDER RE70401 AND RE59801)	
6	R524480	GASKET	1	(SUB FOR R123542)	
6	RE520539	GASKET KIT	AR	(SUITABLE FOR HIGH TEMPERATURE, INCLUDE INSTRUCTIONS)	

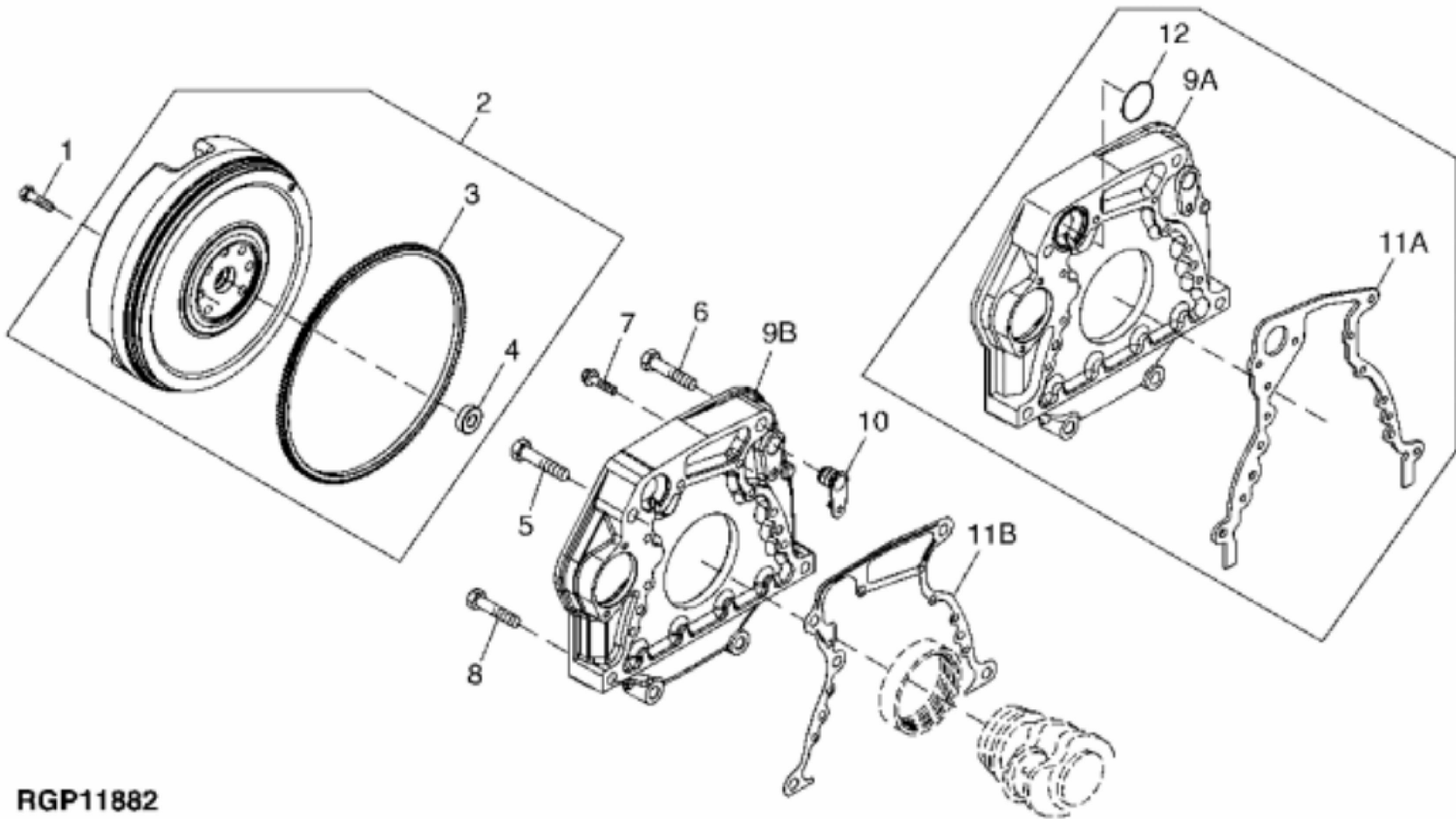


KEY	PART NO.	PART NAME	QTY	REMARKS	
1	RE500005	FILLER CAP	1	ORDER RE535560	
1	RE535560	FILLER CAP	1		
2	R502902	PACKING	1	ID= 44 mm, SUB FOR R500001	
3	RE501377	FILLER NECK	1	SUB FOR R136483	
4	RE67239	SCREW	2	(Threads With Pre-Applied Sealant)	
5	R136495	GASKET	2		
6	RE67238	SCREW	2	(Threads With Pre-Applied Sealant)	
7	R116296	COVER	1		



RE59693PCDD01

KEY	PART NO.	PART NAME	QTY	REMARKS	
1	R121897	BOLT	4		
2	R500649	WASHER	1		
3	R133295	PULLEY	1		



RGP11882

Thank you so much for reading.
Please click the “Buy Now!”
button below to download the
complete manual.



After you pay.

You can download the most
perfect and complete manual in
the world immediately.

Our support email:

ebooklibonline@outlook.com