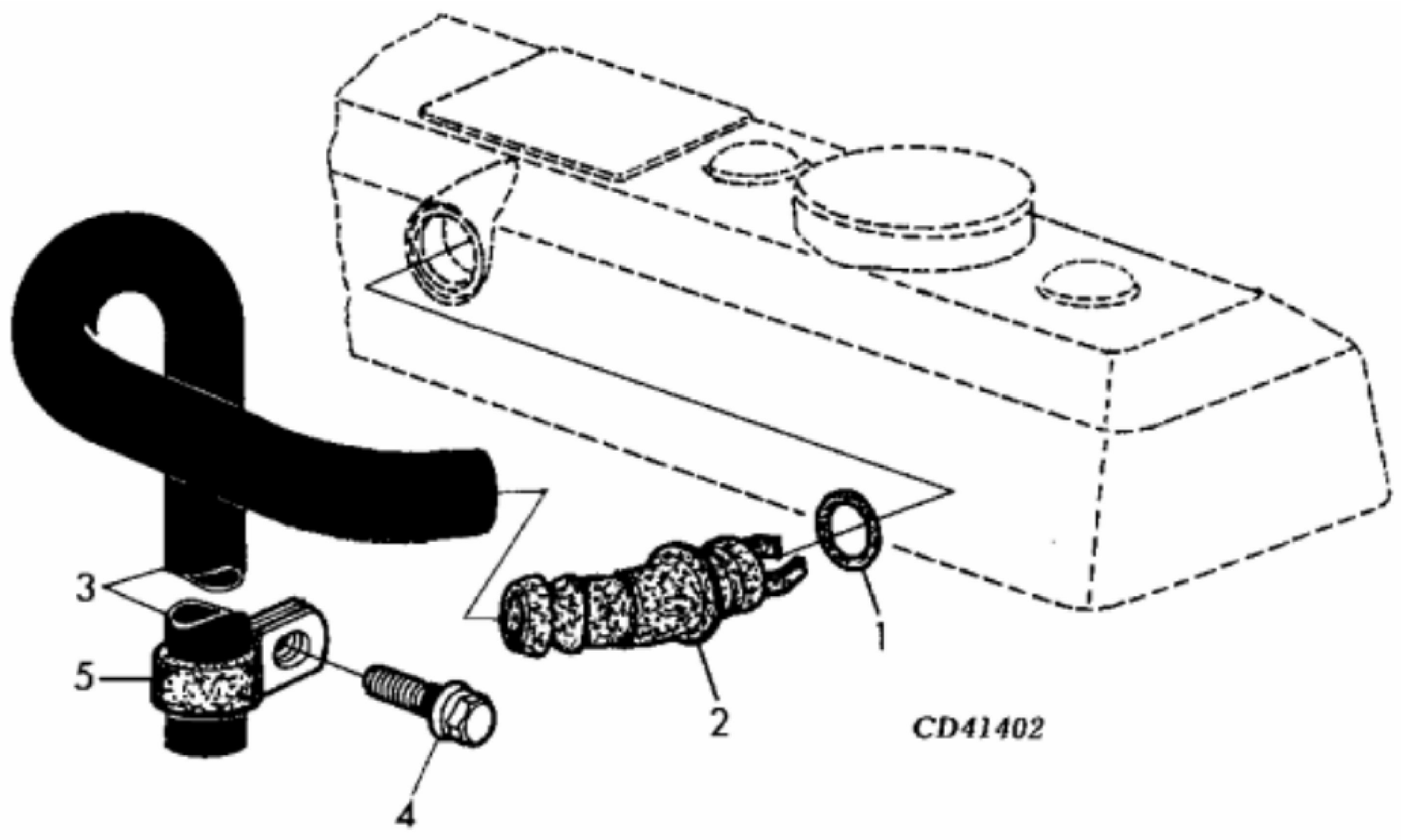
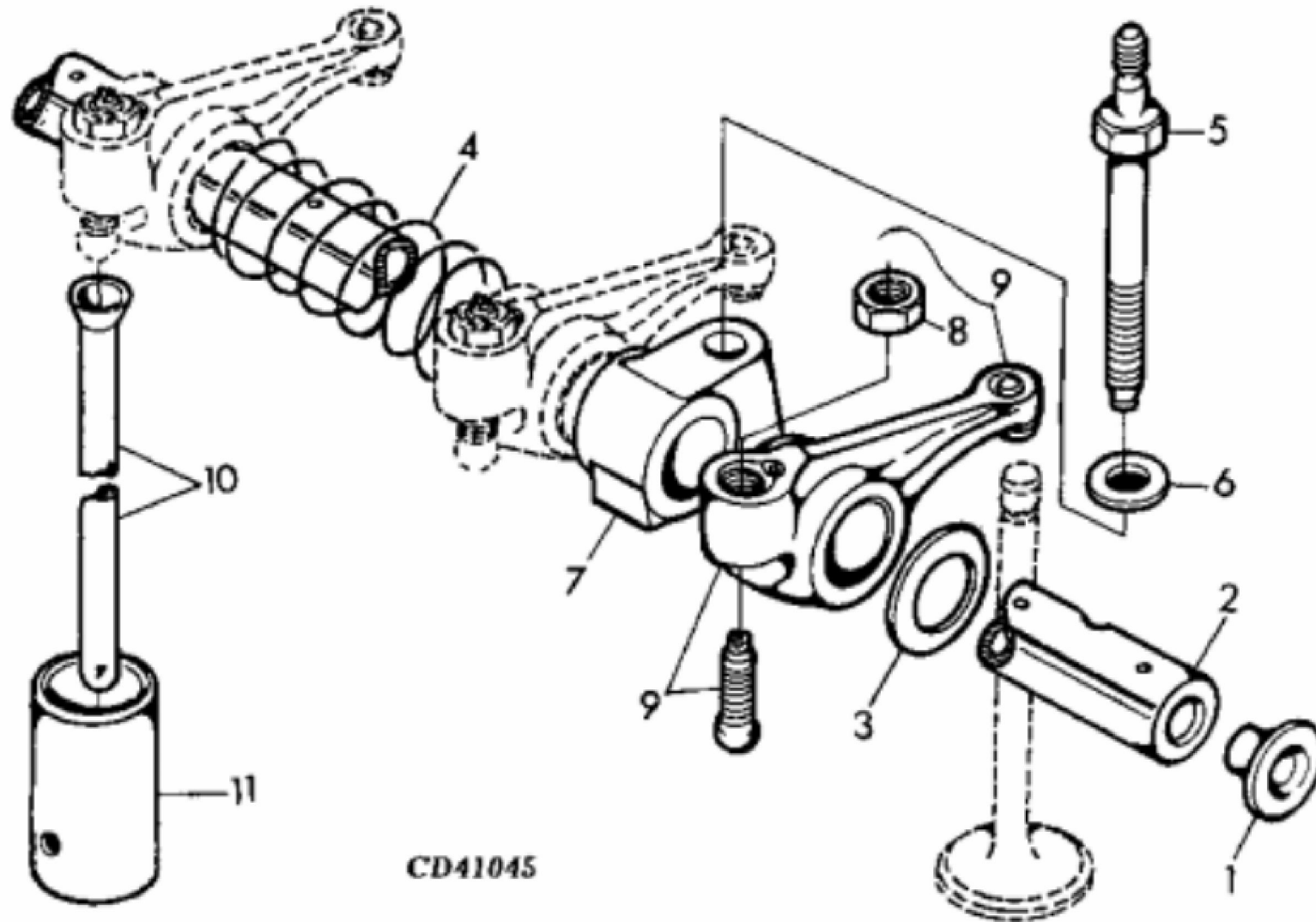


KEY	PART NO.	PART NAME	QTY	Engine Serial No.	REMARKS	
1	H23125	PLUG	4			
2	R123574	NUT	4			
3	R123575	O-RING	4			
4	RE70401	VALVE COVER	1	____-XXXXXX		
4	RE502969	VALVE COVER	1	XXXXXX-____		
5	R123542	GASKET	1			
6	RE59801	PLUG	1			
7	R116324	MEDALLION	1			

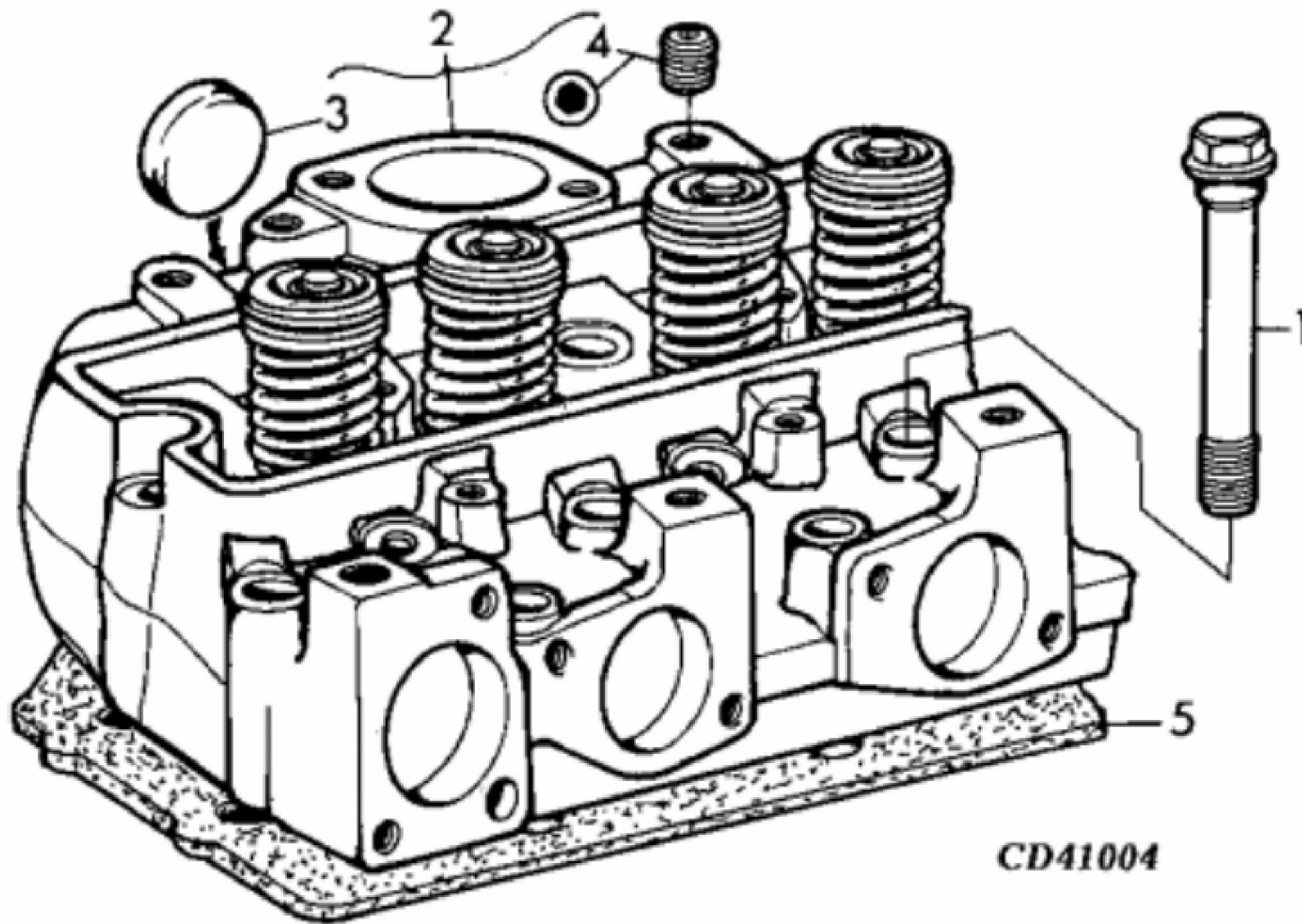


KEY	PART NO.	PART NAME	QTY	REMARKS	
1	R72328	O-RING	1		
2	R123586	ELBOW FITTING	1	45°	
3	H36031	HOSE	1	LGTH 914MM	
4	19M7866	SCREW	AR	M8 X 20	
5	R72659	CLAMP	AR		



CD41045

KEY	PART NO.	PART NAME	QTY	REMARKS	
1	R54565	PLUG	2		
2	.....	ROCKER ARM SHAFT	1	NLA; ORDER RE548059	
3	T20316	WASHER	2		
4	T20314	SPRING	3		
5	R123271	STUD	4		
6	R42729	WASHER	4		
7	R123161	SUPPORT	4		
8	14M7148	NUT	1	M10	
9	RE68695	ROCKER ARM	8		
10	R107731	PUSH ROD	8		
11	R123565	CAM FOLLOWER	8		



CD41004

Thank you so much for reading.  
Please click the “Buy Now!”  
button below to download the  
complete manual.



After you pay.

You can download the most  
perfect and complete manual in  
the world immediately.

Our support email:

[ebooklibonline@outlook.com](mailto:ebooklibonline@outlook.com)