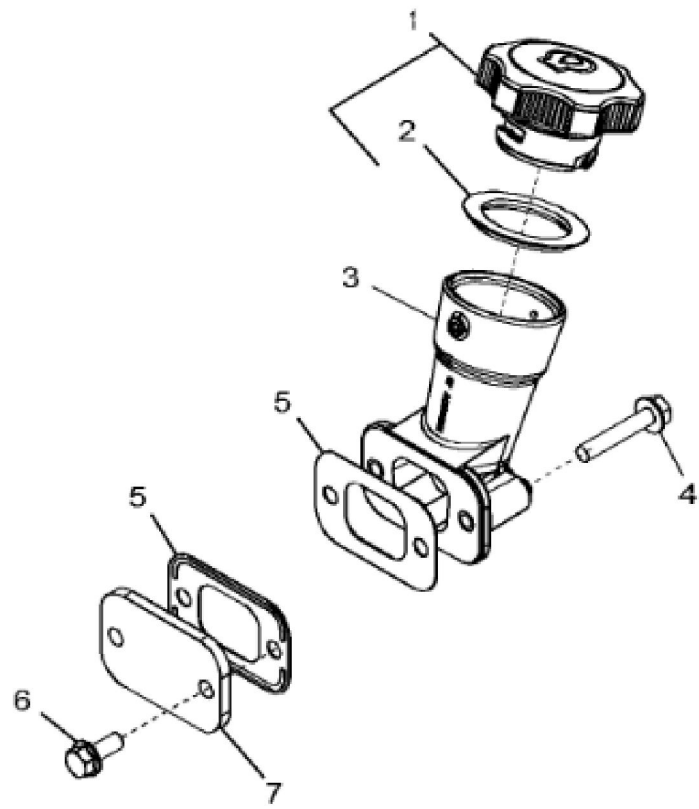


John Deere > Turf And Utility >TRACTOR >5715 - TRACTOR >5415, 5615 and 5715 Tractors (5015 Series) (Worldwide Edition) >20 ENGINE 4045DP057-RE530900 - RE556191 >ST294335 - 1103 VALVE COVER

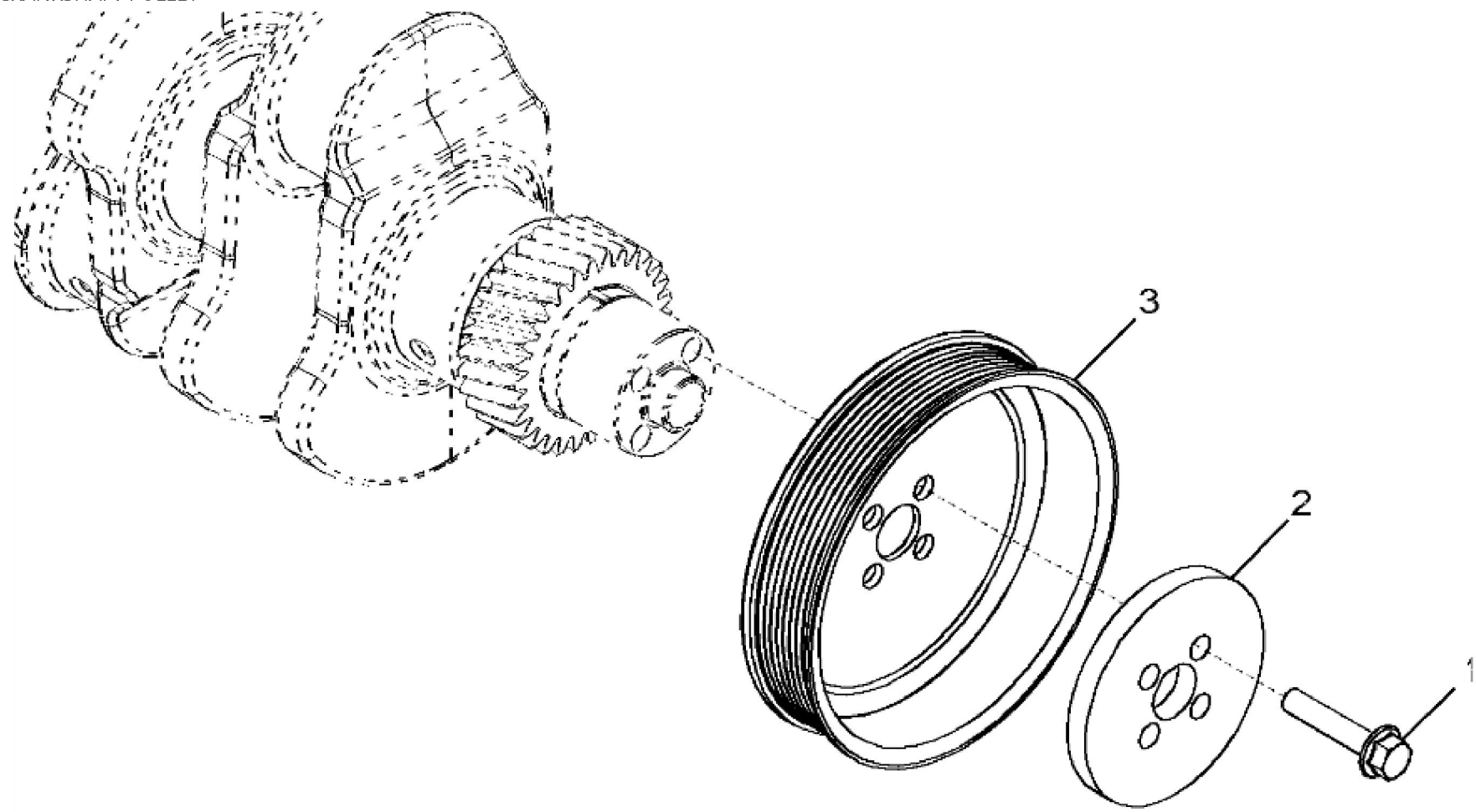
KEY	PART NO.	PART NAME	QTY	REMARKS
1	R521401	MEDALLION	1	SUB FOR R116324
2	H23125	PLUG	4	
3	R123574	NUT	4	
4	R123575	O-RING	4	
5	R524480	GASKET	1	SUB FOR R123542
6	RE502969	VALVE COVER	1	MARKED R519779
7	RE70401	VALVE COVER	1	MARKED R519777
8	RE59801	PLUG	1	USE WITH RE70401
9	U11017	O-RING	1	USE WITH RE70401



John Deere > Turf And Utility >TRACTOR >5715 - TRACTOR >5415, 5615 and 5715 Tractors (5015 Series) (Worldwide Edition) >20 ENGINE 4045DP057-RE530900 - RE556191 >ST308623 - 1202 OIL FILLER NECK

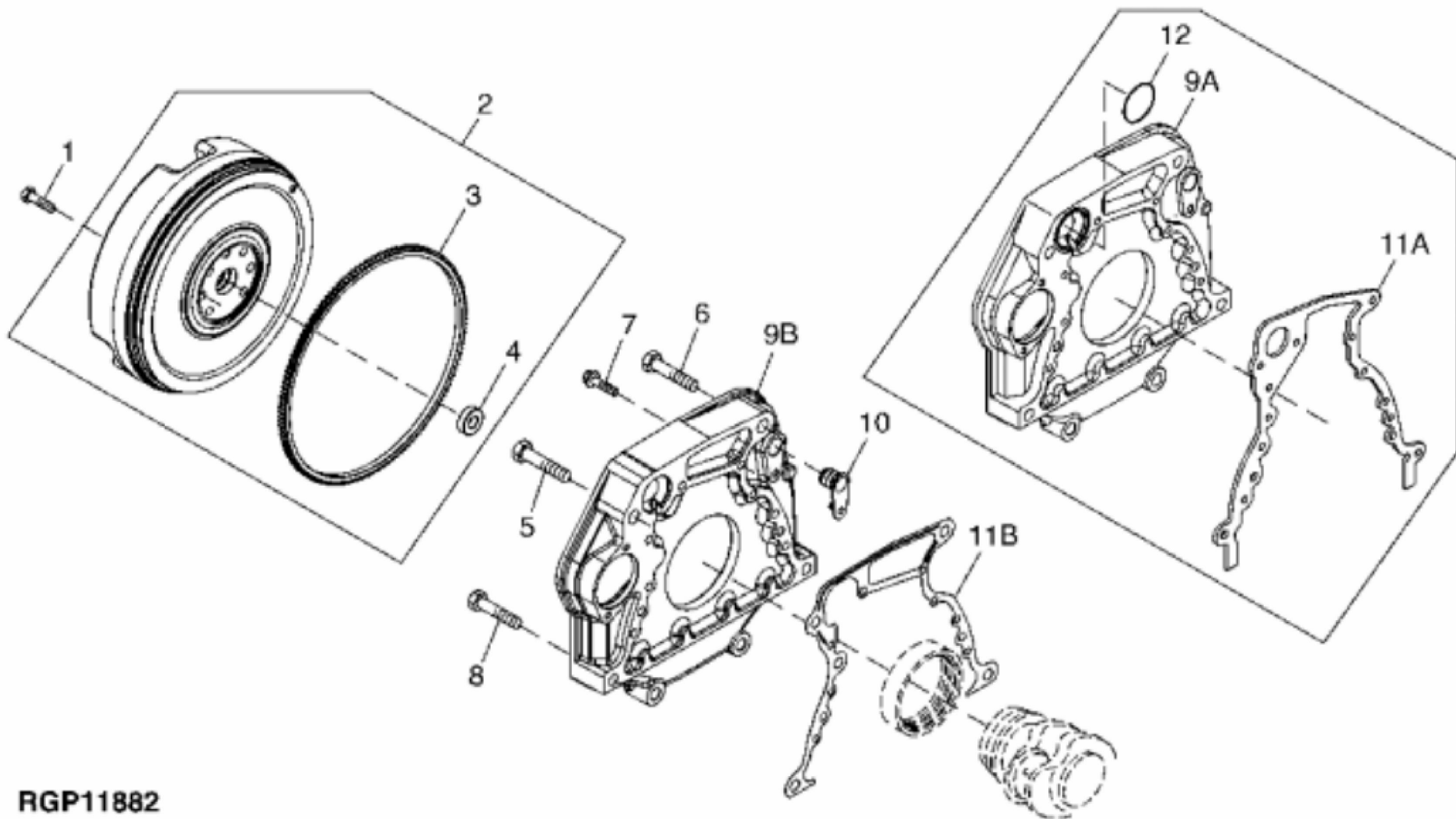
KEY	PART NO.	PART NAME	QTY	REMARKS
1	RE500005	FILLER CAP	1	ORDER RE535560
1	RE535560	FILLER CAP	1	
2	R502902	PACKING	1	ID= 44 mm, SUB FOR R500001
3	RE501377	FILLER NECK	1	SUB FOR R136483
4	RE67239	SCREW	2	(Threads With Pre-Applied Sealant)
5	R136495	GASKET	2	
6	RE67238	SCREW	2	(Threads With Pre-Applied Sealant)
7	R116296	COVER	1	

CRANKSHAFT PULLEY



CRANKSHAFT PULLEY

KEY	PART NO.	PART NAME	QTY	REMARKS	
1	R121897	BOLT	4		
2	R500649	WASHER	1		
3	R133295	PULLEY	1		



RGP11882

Thank you so much for reading.
Please click the “Buy Now!”
button below to download the
complete manual.



After you pay.

You can download the most
perfect and complete manual in
the world immediately.

Our support email:

ebooklibonline@outlook.com