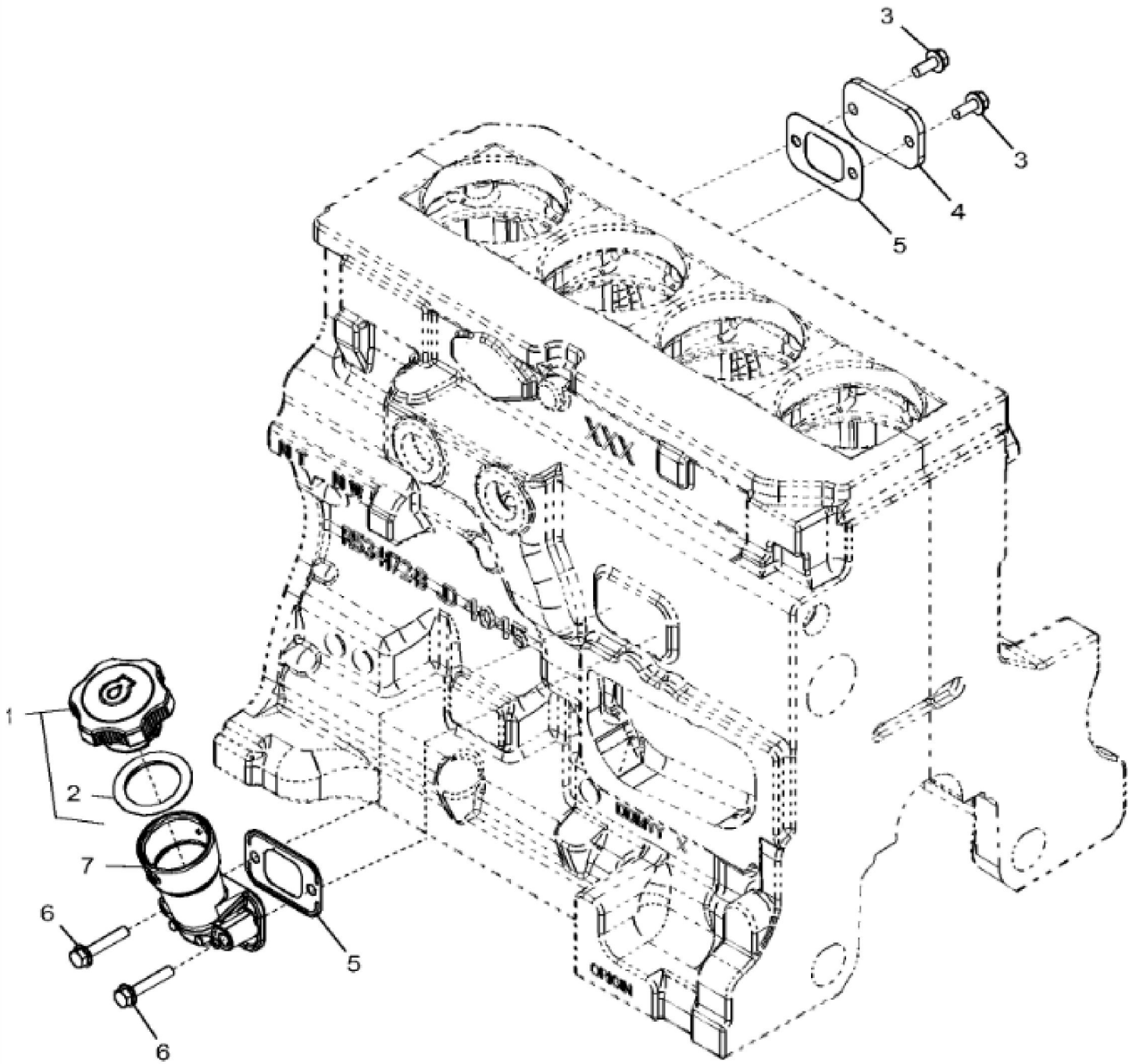
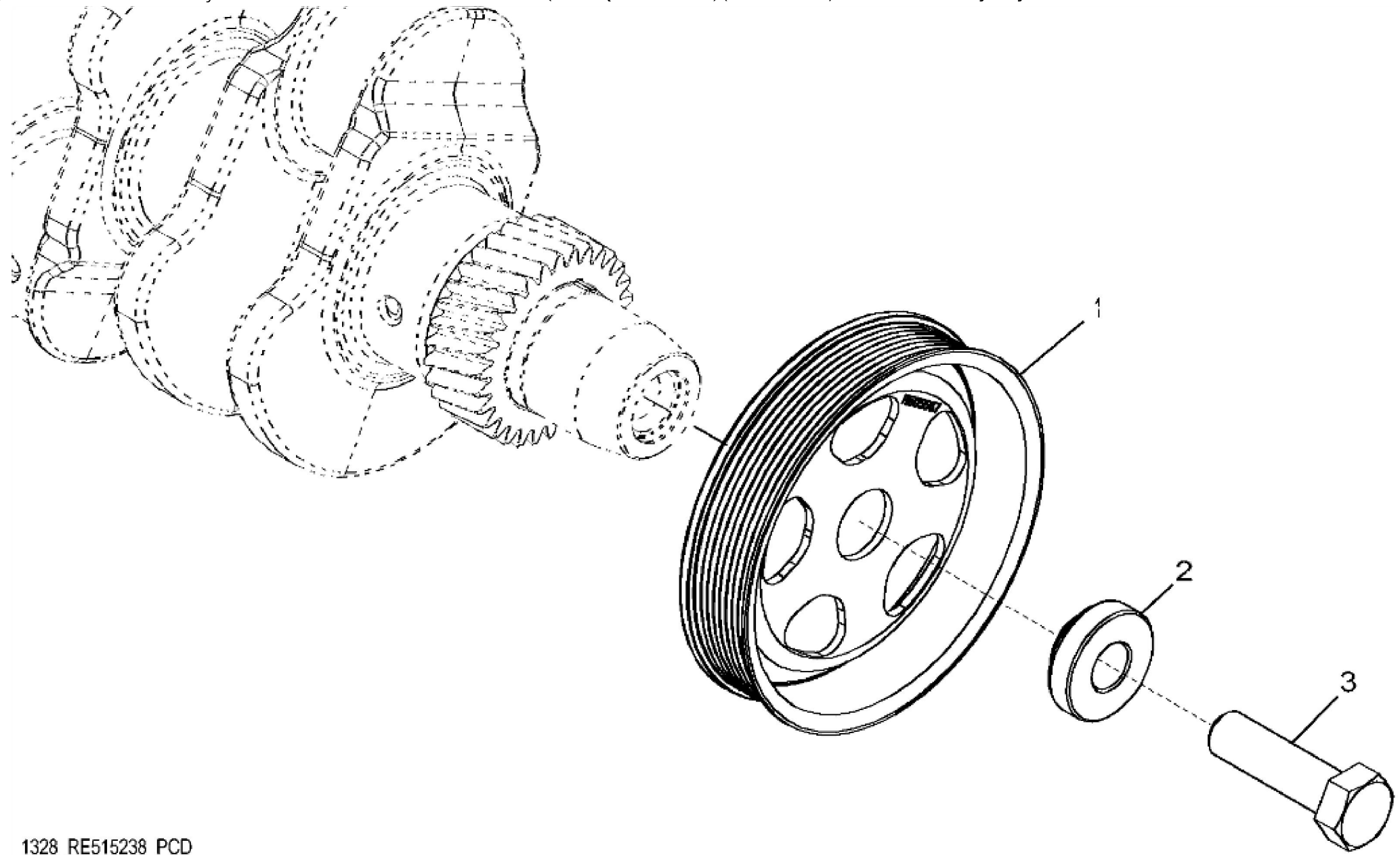


KEY	PART NO.	PART NAME	QTY	REMARKS	
1	R521401	MEDALLION	1	SUB FOR R116324	
2	H23125	PLUG	4		
3	R123574	NUT	4		
4	R123575	O-RING	4		
5	R524480	GASKET	1	SUB FOR R123542	
6	RE502969	VALVE COVER	1	MARKED R519779	
7	RE70401	VALVE COVER	1	MARKED R519777	
8	RE59801	PLUG	1	USE WITH RE70401	
9	U11017	O-RING	1	USE WITH RE70401	

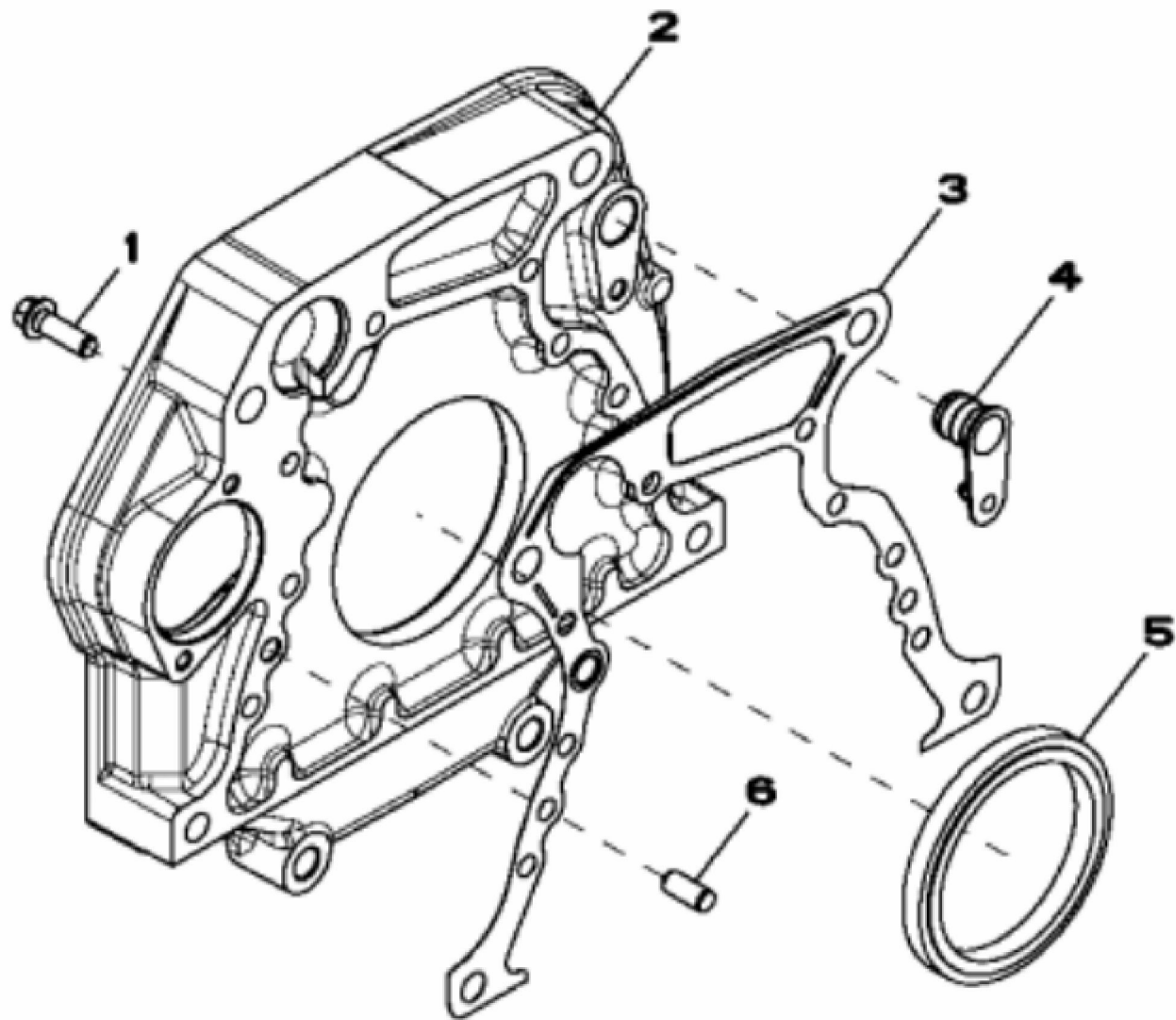


KEY	PART NO.	PART NAME	QTY	REMARKS	
1	RE535560	FILLER CAP	1	SUB FOR RE500005	
2	R502902	PACKING	1	ID = 44 mm	
3	RE67238	SCREW	2	(Threads With Pre-Applied Sealant)	
4	R116296	COVER	1		
5	R136495	GASKET	2		
6	RE67239	SCREW	2	(Threads With Pre-Applied Sealant)	
7	RE501377	FILLER NECK	1		



1328_RE515238_PCD

KEY	PART NO.	PART NAME	QTY	REMARKS	
1	R505567	PULLEY	1	OD = 173 mm	
2	R515040	BUSHING	1	OD = 50 mm	
3	R516648	CAP SCREW	1	(One Time Usage) M20 X 70	



RE517252PCDA01

Thank you so much for reading.
Please click the “Buy Now!”
button below to download the
complete manual.



After you pay.

You can download the most
perfect and complete manual in
the world immediately.

Our support email:

ebooklibonline@outlook.com