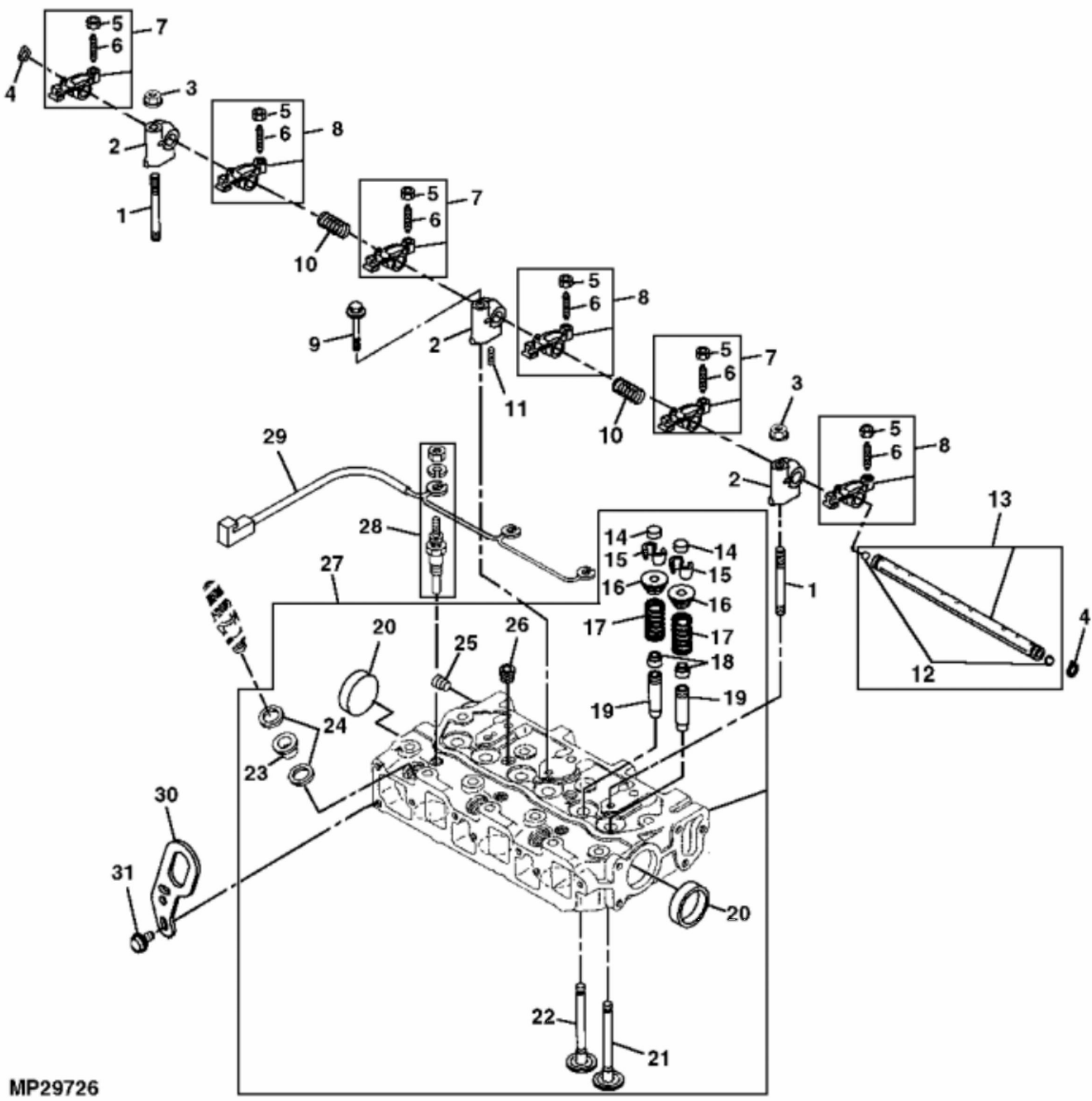


MP17850

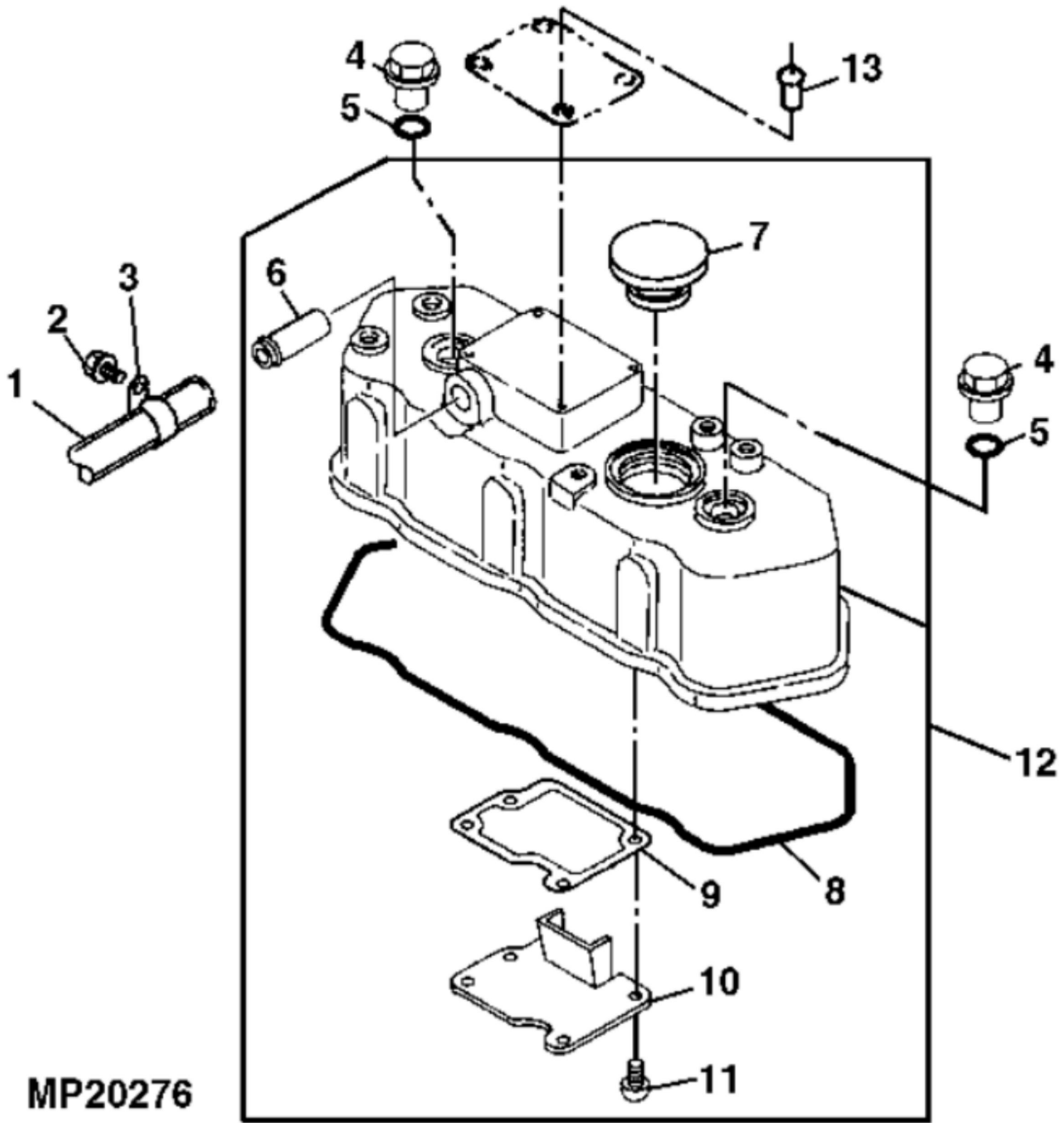
KEY	PART NO.	PART NAME	QTY	REMARKS
1	M87866	BOLT	14	
2	M807320	ENGINE CYLINDER HEAD GASKET	1	
3	AM879213	CYLINDER BLOCK	1	
4	30M7023	PLUG	6	
5	M802255	PIN	2	
6	M802254	PIN	2	
7	M802643	PLUG	1	
8	M112792	DRAIN PLUG	1	
9	M809593	PLUG	1	
10	CH18079	SPRING PIN	2	
11	M87862	BUSHING	1	CAMSHAFT
12	19M7774	SCREW	3	M6 X 12
13	M89140	SHAFT	1	IDLE GEAR
14	M87801	PLUG	1	
15	M800006	DOWEL PIN	2	
16	EPC200680	PLUG	1	
17	AM100719	BEARING KIT	2	THRUST
18	AM100718	BEARING KIT	4	MAIN, STD
18	AM100732	BEARING KIT	4	.25 MM (.010") US, MAIN
19	.....	BEARING CAP	3	
20	M87879	BOLT	8	
21	.....	BEARING CAP	1	
..	AM132857	ENGINE	1	(MARKED 3TNE74-EJKH) (ORDER AM879207)
..	MIA882674	SHORT BLOCK ASSEMBLY	1	SUB FOR AM879207



MP29726

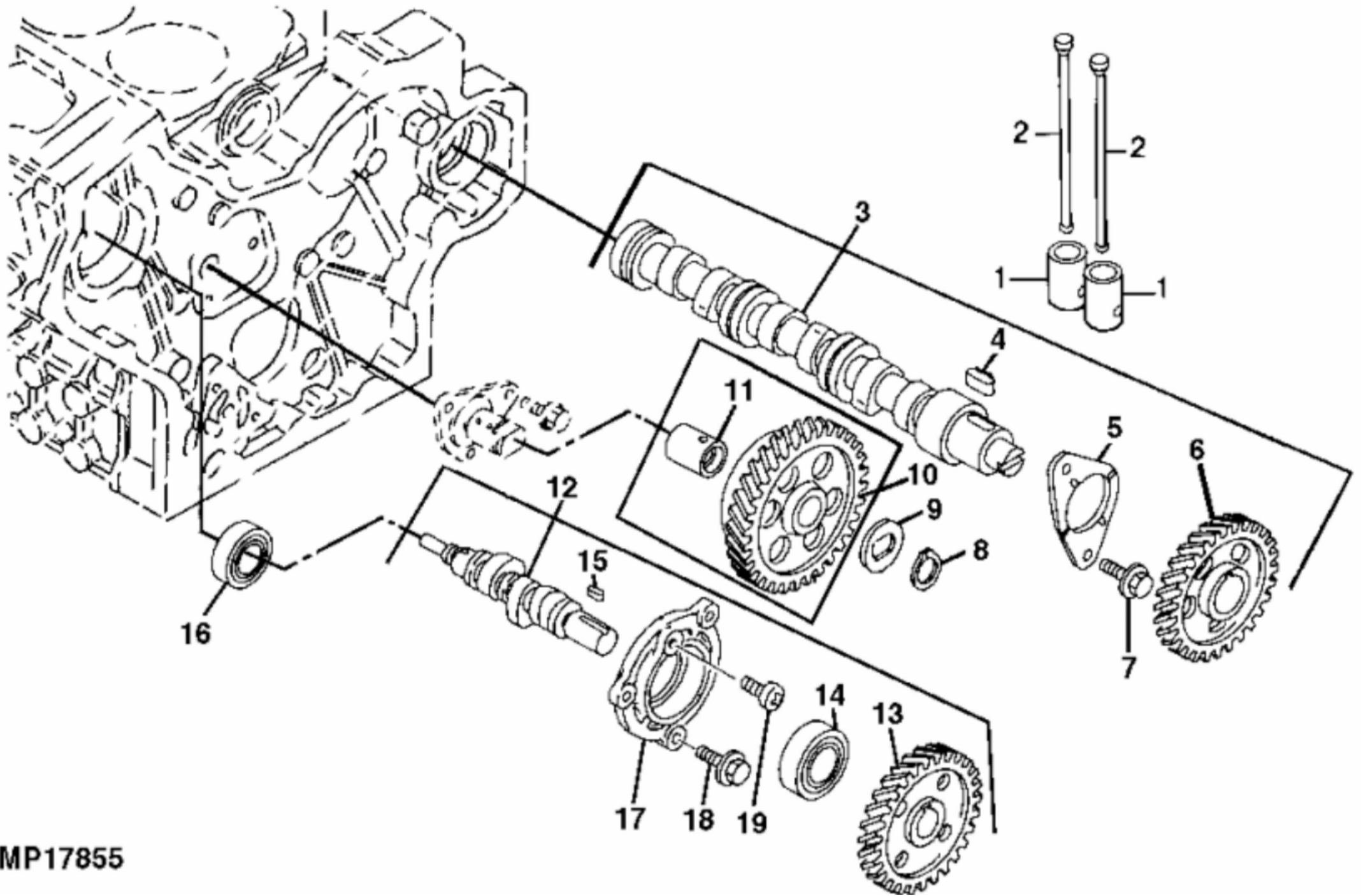
## ARMS

KEY	PART NO.	PART NAME	QTY	REMARKS
1	M87836	STUD	2	
2	M87891	SUPPORT	3	ROCKER ARM
3	14M7298	FLANGE NUT	2	M8
4	M87818	SNAP RING	2	
5	14M7194	NUT	1	M6
6	M87841	SCREW	1	
7	AM100736	ARM	3	EXHAUST
8	AM100735	ARM	3	INTAKE
9	CH19101	BOLT	1	
10	M87892	SPRING	2	
11	M87893	SCREW	1	
12	400R	BALL	2	
13	AM100749	ROCKER ARM SHAFT	1	
14	CH12585	CAP	6	
15	AM100828	KIT	6	VALVE RETAINER (INCLUDES (2) SIDES)
16	M87835	HOLDER	6	
17	M87834	SPRING	6	VALVE
18	CH10346	SEAL	6	VALVE STEM
19	M87863	GUIDE	6	VALVE
20	CH16751	PLUG	2	
21	M807328	VALVE	3	INTAKE
22	M87833	VALVE	3	EXHAUST
23	M89134	PACKING	3	(NOZZLE PROTECTOR)
24	M89135	GASKET	6	NOZZLE
25	M87831	PLUG	1	
26	15H559	PIPE PLUG	2	1/4", (SUB FOR EPC200683)
27	AM879210	CYLINDER HEAD	1	
28	AT110814	GLOW PLUG	3	GLOW
29	M802705	ELECTRICAL CONNECTOR ASSY	1	GLOW PLUG
30	M800066	BRACKET	1	LIFT, (SUB MIU800461)
31	CH19780	BOLT	2	M8 X 14



**MP20276**

KEY	PART NO.	PART NAME	QTY	REMARKS	
1	CH15409	PIPE	1	CRANKCASE BREATHER	
2	19M7864	SCREW	1	M8 X 12	
3	CH10331	CLAMP	1		
4	CH10348	PLUG	2		
5	CH10568	PACKING	2		
6	M807038	CONNECTOR	1		
7	M807329	PLUG	1		
8	M87854	GASKET	1		
9	M805697	GASKET	1		
10	M87837	DEFLECTOR	1		
11	M807374	SCREW	4		
12	AM879190	COVER	1		
13	CH10061	RIVET	4		



MP17855

Thank you so much for reading.  
Please click the “Buy Now!”  
button below to download the  
complete manual.



After you pay.

You can download the most  
perfect and complete manual in  
the world immediately.

Our support email:

[ebooklibonline@outlook.com](mailto:ebooklibonline@outlook.com)