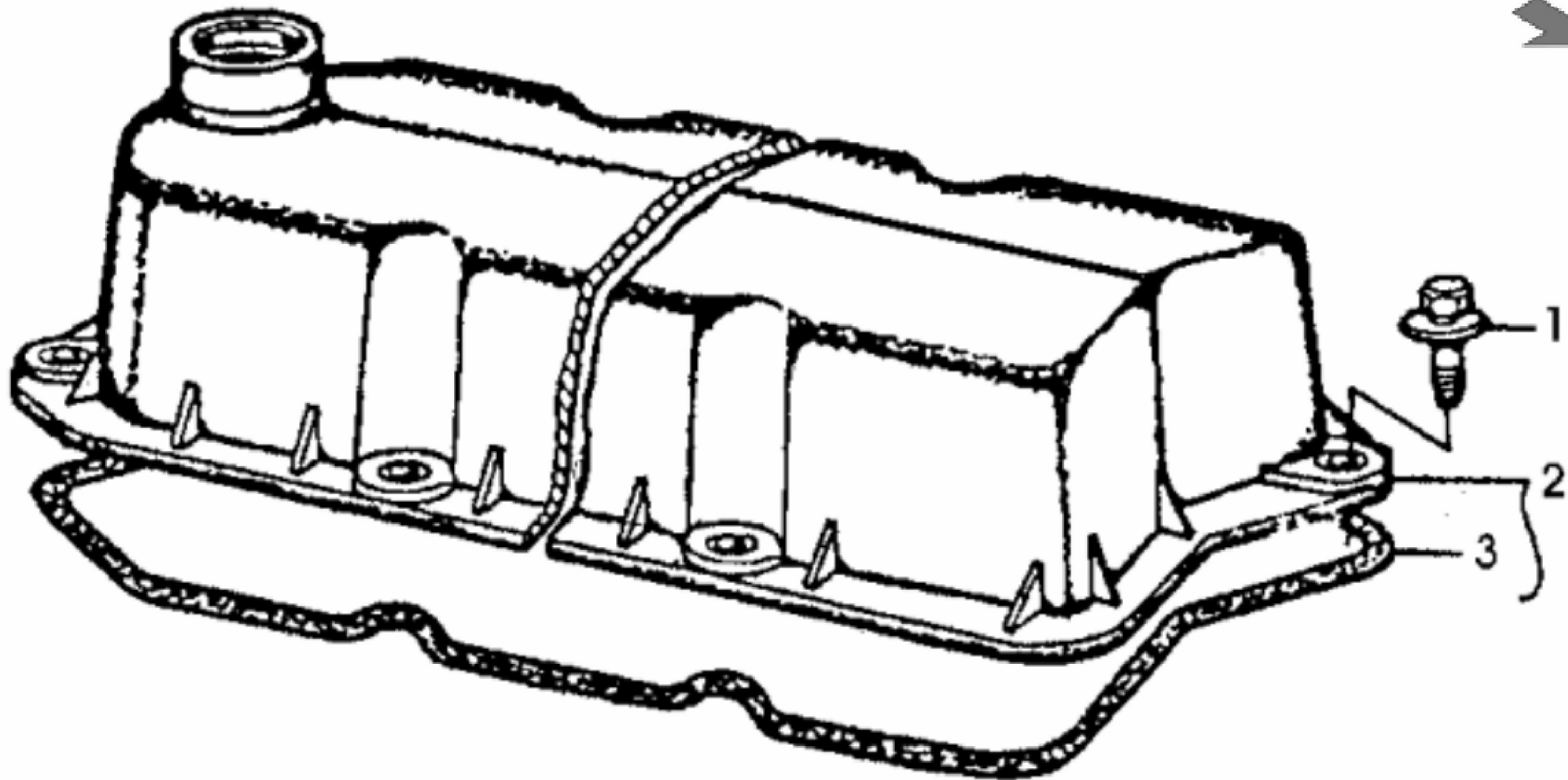


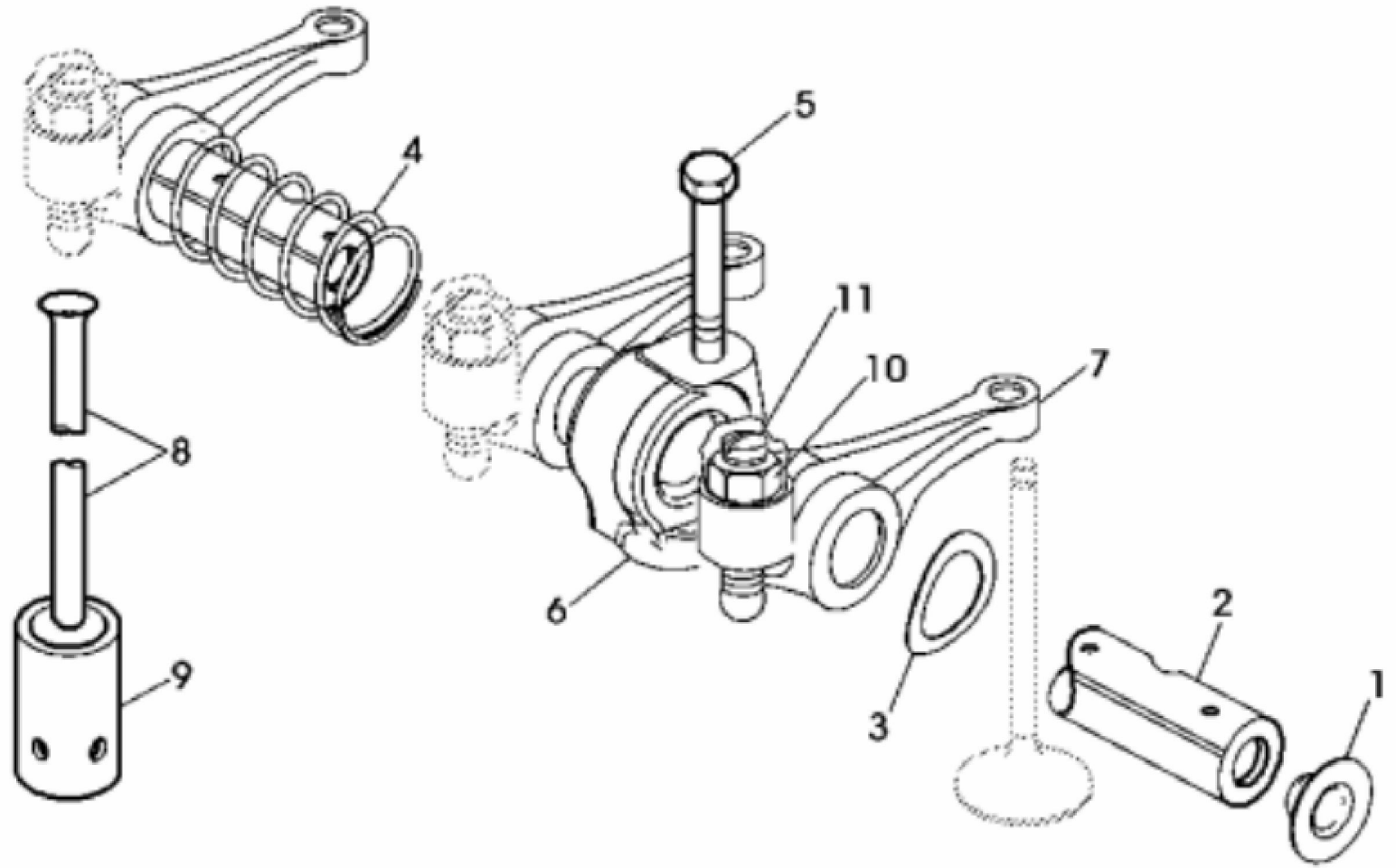
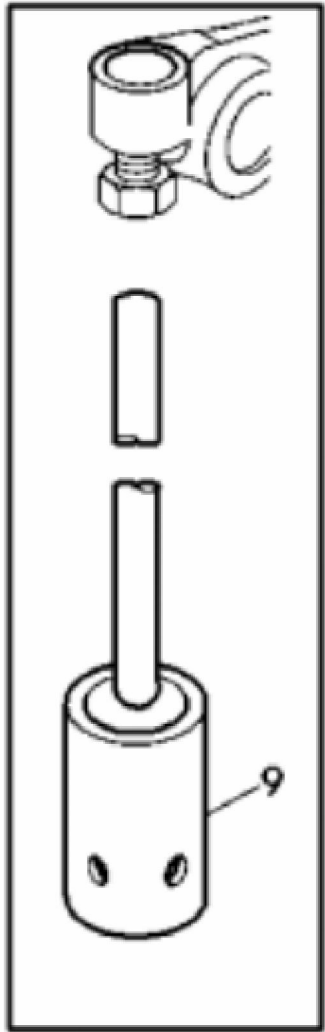
**RGP5475**

KEY	PART NO.	PART NAME	QTY	ALL	REMARKS	
1	R56463	O-RING	1	X		
2	R92154	ELBOW FITTING	1	X		
3	TY22467	CLAMP	1	X	(SUB FOR AT18904)	
4	R122401	TUBE	1	X	89 MM (35"), CUT TO LENGTH	



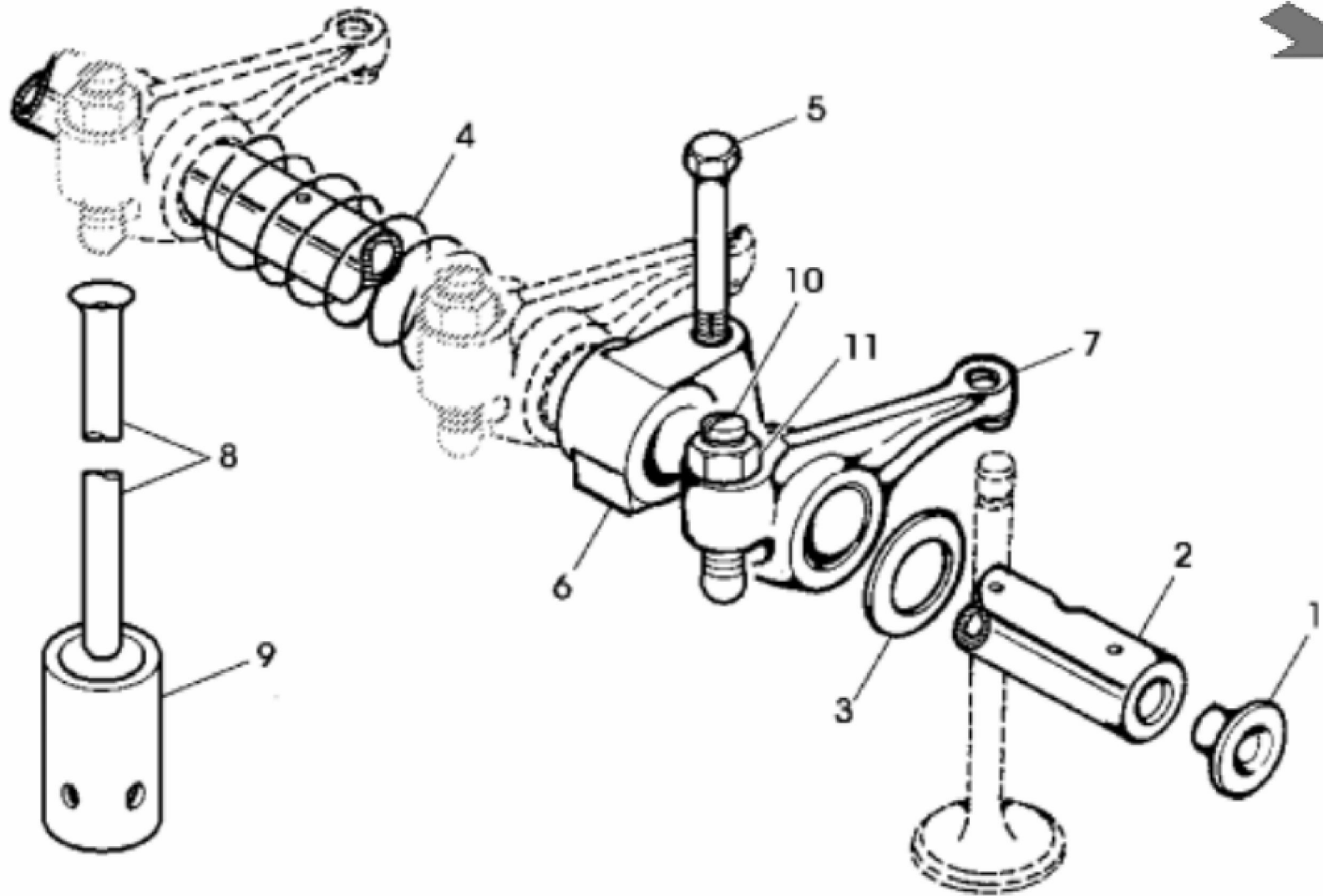
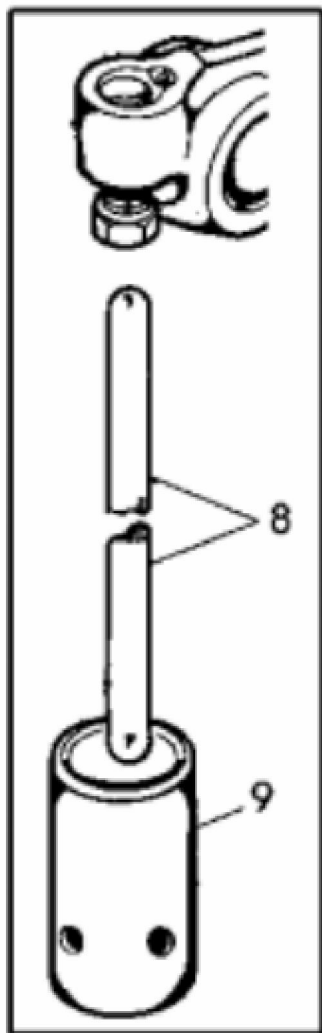
PY50072

KEY	PART NO.	PART NAME	QTY	ALL	REMARKS	
1	RE32140	SCREW WITH WASHER	6	X		
2	RE44202	VALVE COVER	1	X		
3	R106796	GASKET	1	X	(CUT TO LENGTH, THIS APPLICATION ONLY)	



**PY51682**

KEY	PART NO.	PART NAME	QTY	Engine Serial No.	5103	5203	5303	REMARKS
1	R54565	PLUG	2		X	X	X	
2	DD12119	ROCKER ARM SHAFT	1	____-107810	X	X	X	
2	R501532	SHAFT	1	107811-____	X	X	X	
3	T20316	WASHER	2		X	X	X	
4	T20314	SPRING	2		X	X	X	
5	R504813	SELF-LOCKING SCREW	3		X	X	X	(HS, SAE 8)
6	R123161	SUPPORT	3		X	X	X	
7	RE31973	ROCKER ARM	3	____-107810	X	X	X	
7	RE62148	ROCKER ARM	6	107811-____	X	X	X	
8	T20310	PUSH ROD	6	____-107810	X	X	X	234MM (9.213")
8	R515095	PUSH ROD	6	107811-____	X	X	X	
9	T20073	CAM FOLLOWER	6	____-107810	X	X	X	
9	R515092	CAM FOLLOWER	6	107811-____	X	X	X	
10	R125880	SCREW	3		X	X	X	
11	R125881	LOCK NUT	3		X	X	X	



PY51106

Thank you so much for reading.  
Please click the “Buy Now!”  
button below to download the  
complete manual.



After you pay.

You can download the most  
perfect and complete manual in  
the world immediately.

Our support email:

[ebooklibonline@outlook.com](mailto:ebooklibonline@outlook.com)