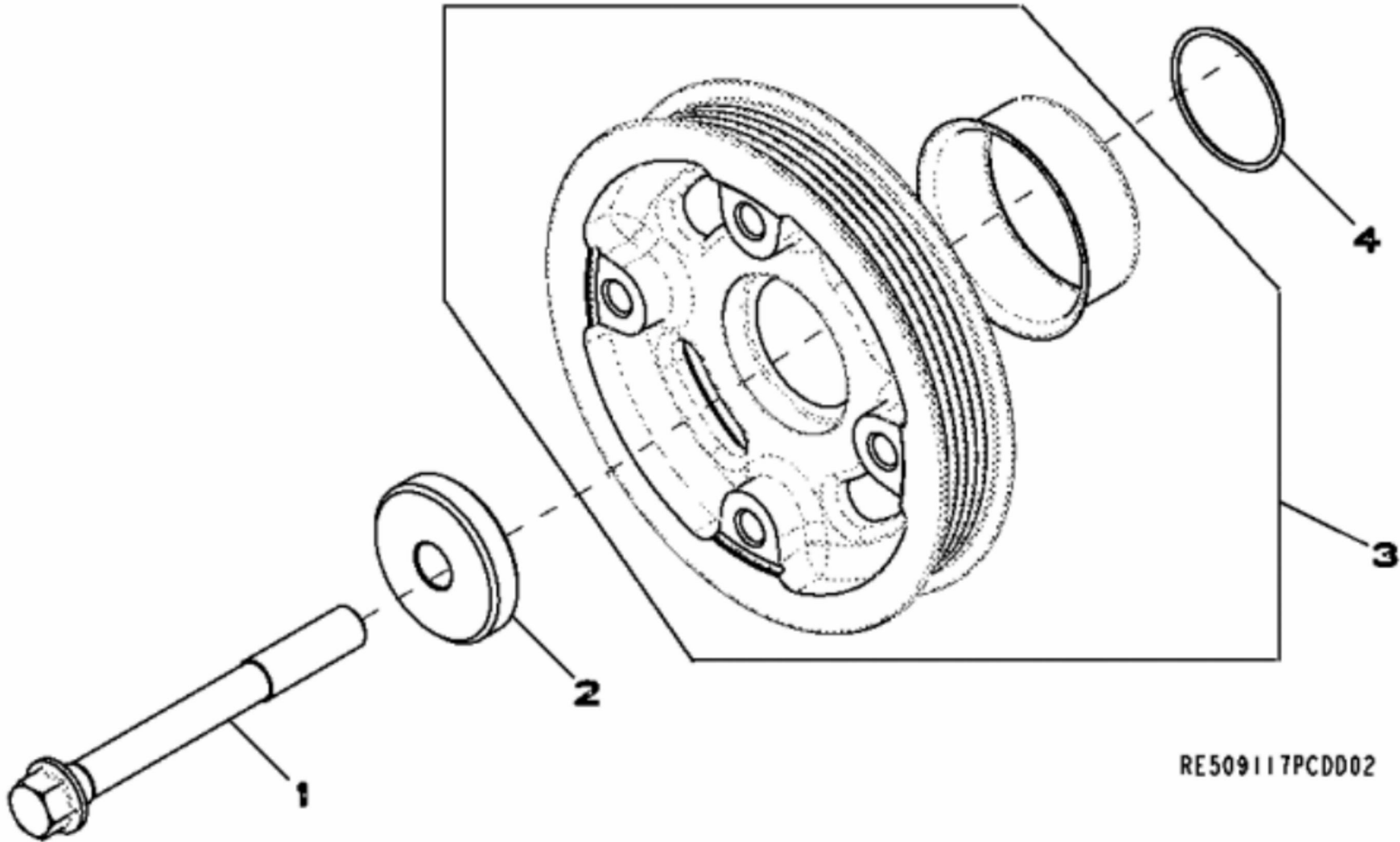


RE509872PCDD03

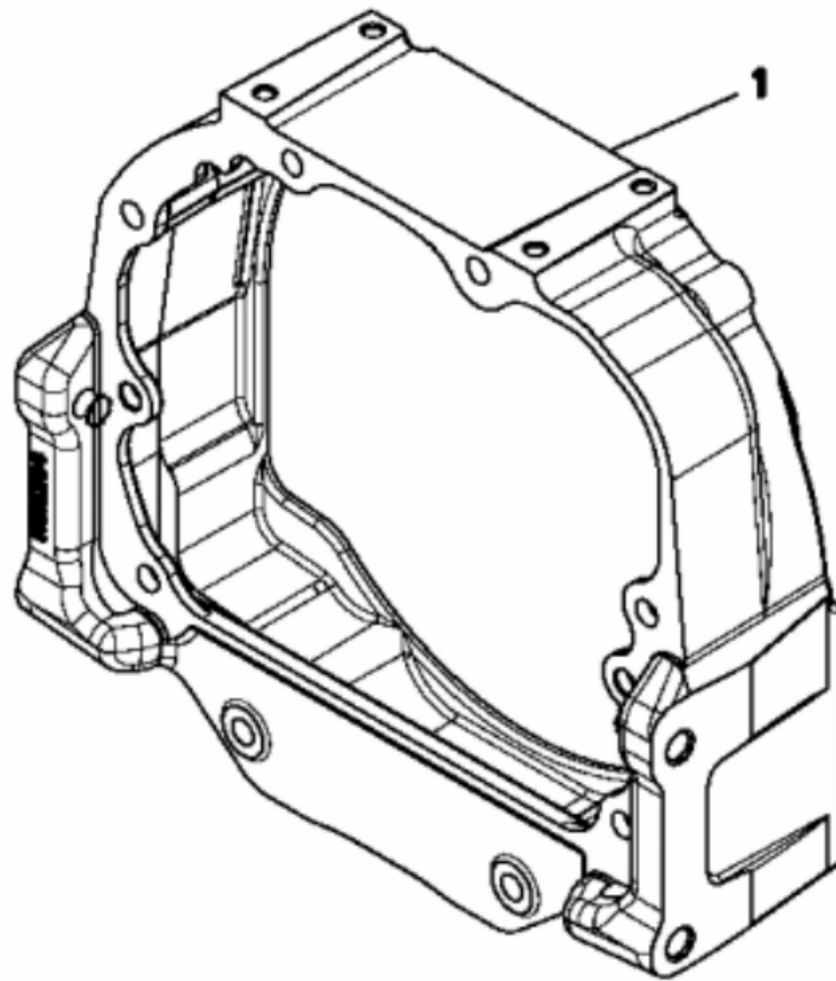
KEY	PART NO.	PART NAME	QTY	Engine Serial No.	REMARKS
1	RE517080	SCREW	5		
2	R26287	O-RING	5		
3	RE509946	VALVE COVER	1		
4	R504876	ISOLATOR	1		
5	37M7089	SCREW	2		M6 X 12
6	R515057	FILLER CAP	1		
7	RE42713	PIPE PLUG	1	_____-052424	1/8"-27NPT
..	PM710XX280	SEALANT	AR		



RE509117PCDD02

John Deere > Turf And Utility >TRACTOR, COMPACT UTILITY >4720 - TRACTOR, COMPACT UTILITY >4720 Compact Utility Tractor >21 ENGINE 4024TLV03-RE516055 >ST293043 - 1301 CRANKSHAFT PULLEY

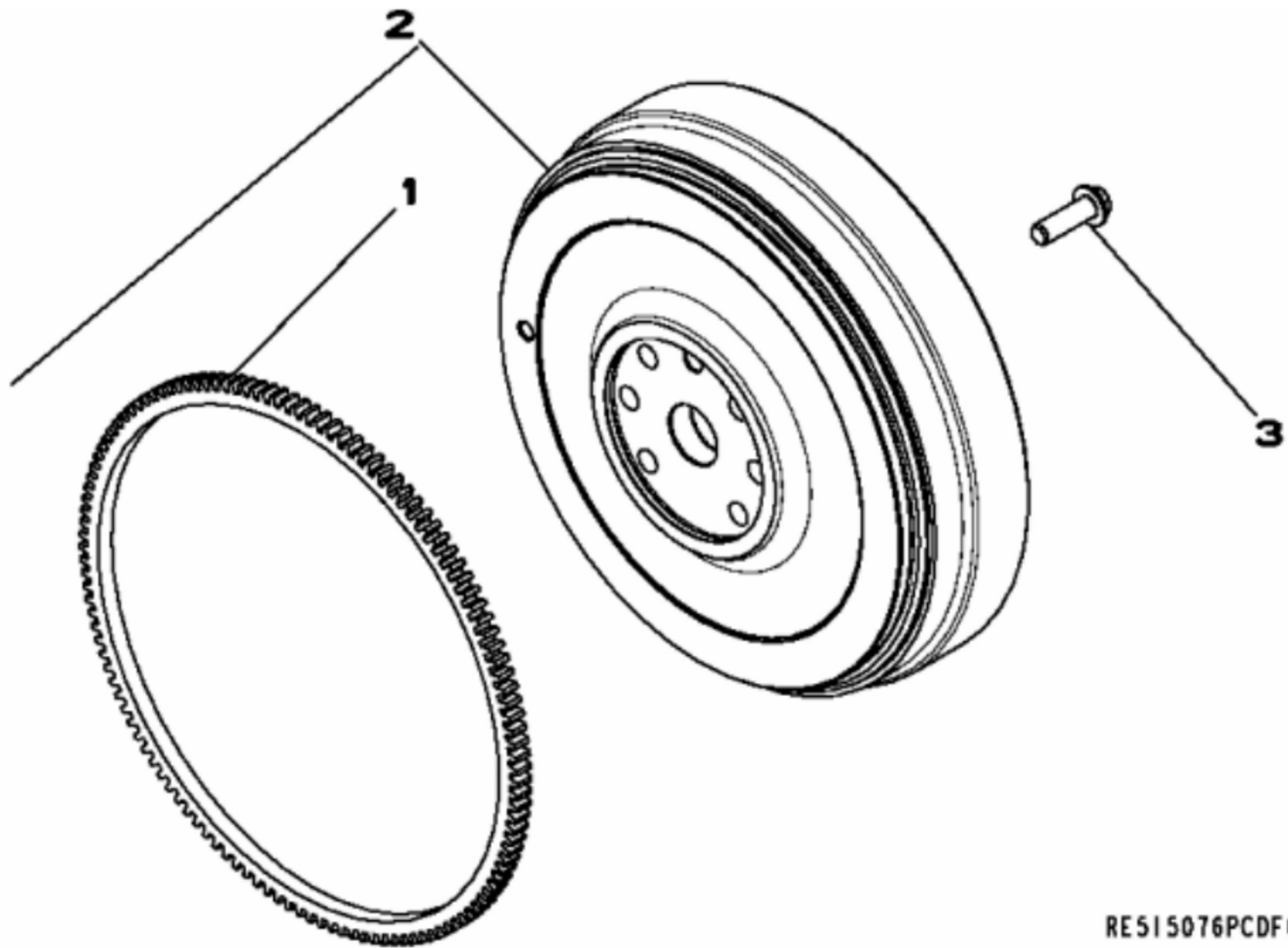
KEY	PART NO.	PART NAME	QTY	REMARKS	
1	R504680	CAP SCREW	1	M12 X 110	
2	R502885	BUSHING	1	ID 13MM	
3	RE520244	PULLEY	1	(ALSO ORDER AR67942)	
4	T143324	O-RING	1		



RE515286PCDD01

HOUSING

KEY	PART NO.	PART NAME	QTY	REMARKS	
1	R515294	HOUSING	1		
2	19M7788	SCREW	3	M12 X 25	



RE515076PCDF01

KEY	PART NO.	PART NAME	QTY	REMARKS	
1	R519447	RING GEAR	1	Z = 127	
2	RE508934	FLYWHEEL	1	(MARKED R505124) (SUB FOR RE530740 THIS APPLICATION)	
3	RE515576	SCREW	6	M12 X 38	

Thank you so much for reading.
Please click the “Buy Now!”
button below to download the
complete manual.



After you pay.

You can download the most
perfect and complete manual in
the world immediately.

Our support email:

ebooklibonline@outlook.com