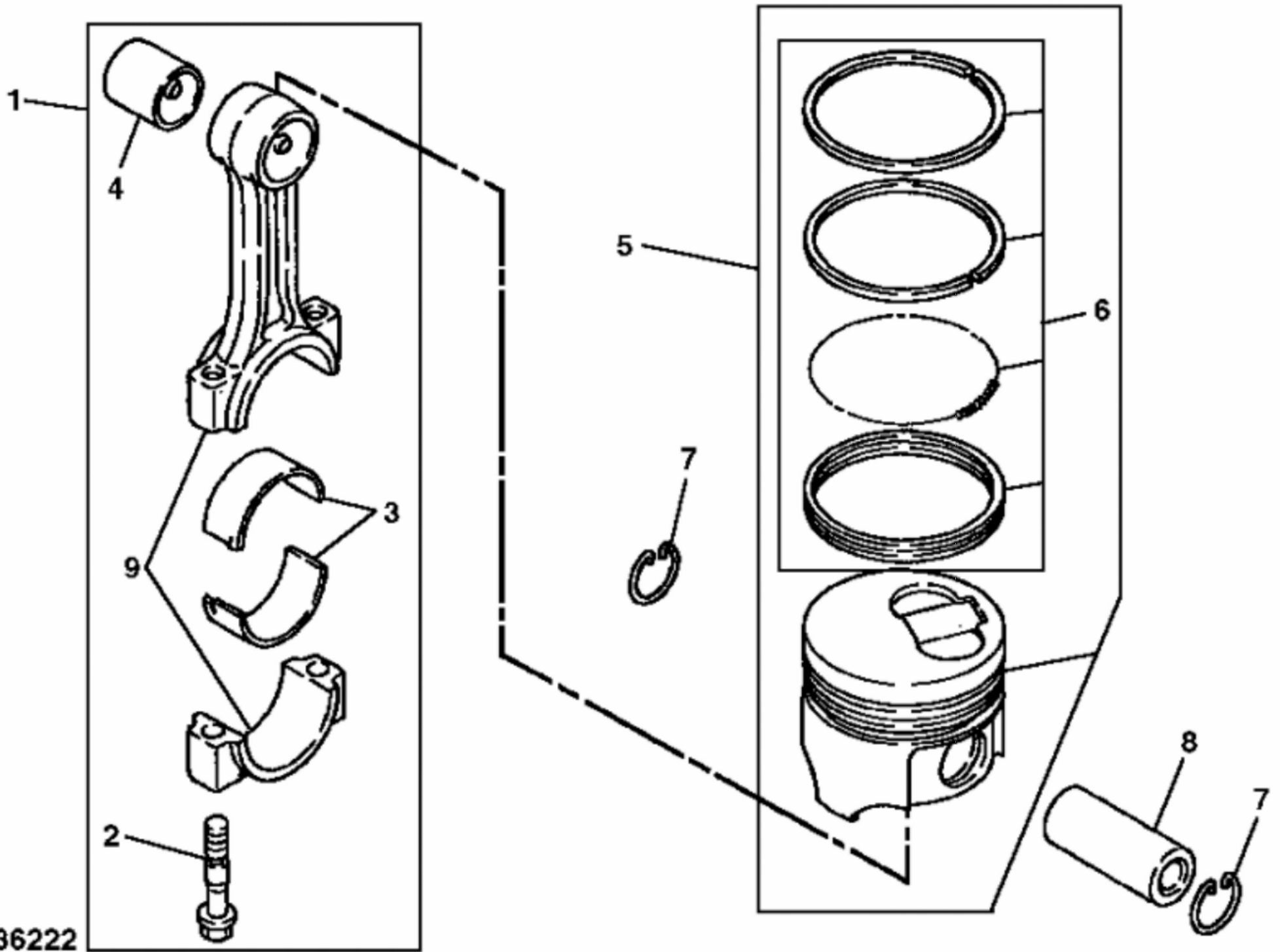


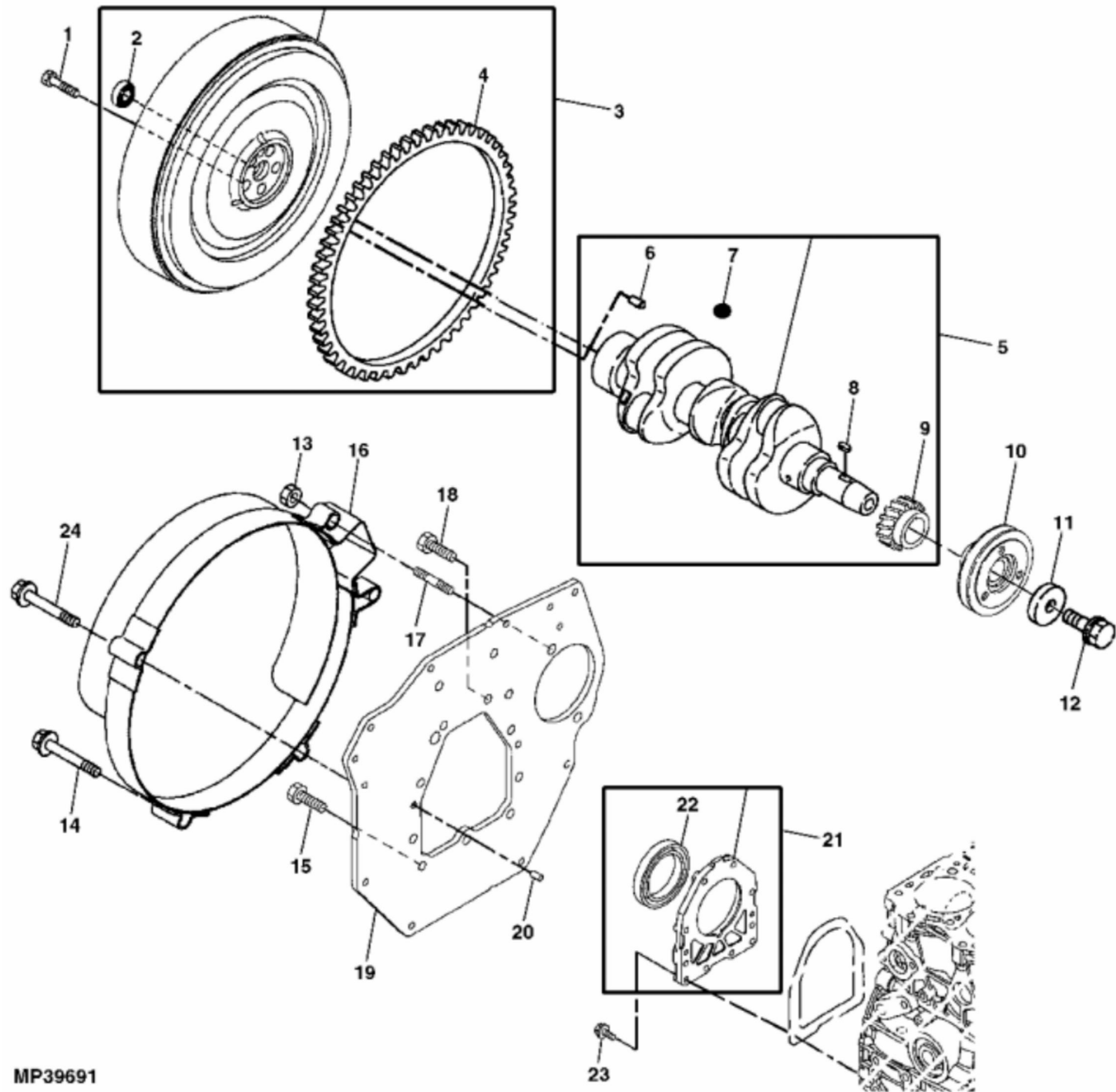
MP35109

KEY	PART NO.	PART NAME	QTY	REMARKS
1	M800970	BOLT	14	
2	M811815	ENGINE CYLINDER HEAD GASKET	1	
3	CH18079	SPRING PIN	2	
4	M811807	PLUG	3	
5	CYLINDER BLOCK	1	
6	MIU800572	CAMSHAFT	1	(SUB FOR M811828)
7	M87871	BOLT	3	
8	M811882	SHAFT	1	
9	M800006	DOWEL PIN	2	
10	CH10314	PLUG	1	
11	M802255	PIN	2	
12	M802254	PIN	2	
13	MIA880551	BEARING	4	STD (SUB FOR MIA880033)
13	AM882418	BEARING KIT	4	.25 MM (.010"), US
14	AM882419	THRUST WASHER	2	STD
14	AM875594	THRUST WASHER	2	.25 MM (.010"), US
15	M87801	PLUG	1	
16	BEARING CAP	1	
17	M87879	BOLT	8	
18	BEARING CAP	3	
19	MIA880096	CYLINDER BLOCK	1	(SUB FOR AM882444)
20	M811805	PLUG	4	
21	CH10335	PLUG	1	
22	M809593	PLUG	1	
..	ENGINE	1	(MARKED 3TNV76-XJKV)
..	ENGINE	1	(MARKED 3TNV76-XJKVE) (EXPORT)
..	MIA880049	SHORT BLOCK ASSEMBLY	1	NLA; ORDER MIA882684 (SUB FOR AM882468)
..	MIA882684	SHORT BLOCK ASSEMBLY	1	



MP36222

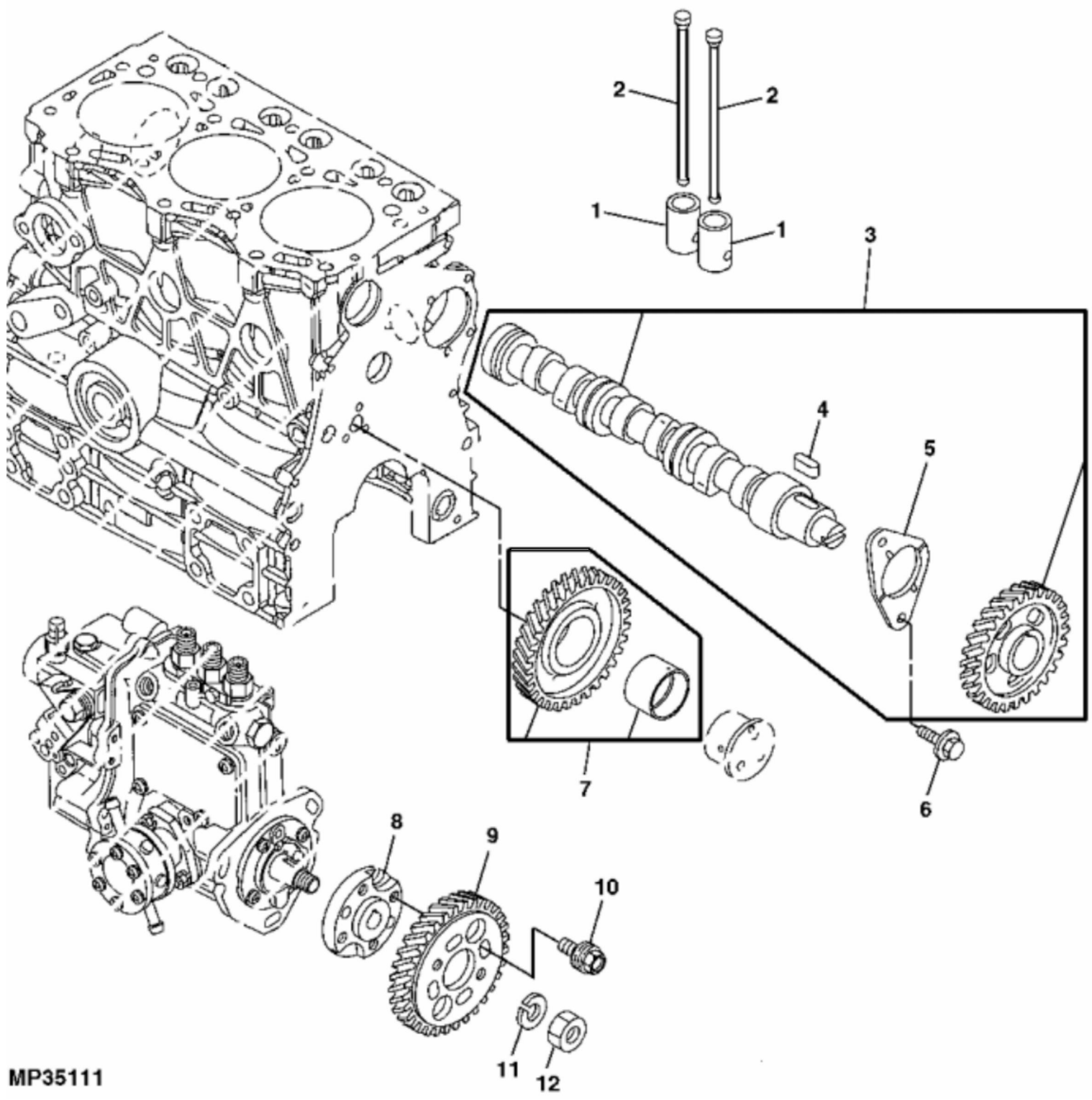
KEY	PART NO.	PART NAME	QTY	REMARKS	
1	AM882431	CONNECTING ROD	3		
2	M811877	BOLT	6		
3	MIA880561	BEARING	3	STD ;SUB FOR AM882432	
3	AM882433	BEARING KIT	3	.25 MM (.010"), US	
4	M811880	BUSHING	3		
5	AM882426	PISTON	3	STD	
5	AM882430	PISTON	3	.25 MM (.010"), US	
6	AM882428	PISTON RING KIT	3	STD	
6	AM882429	PISTON RING KIT	3	.25 MM (.010"), US	
7	CH11486	RING	6		
8	M811869	PISTON PIN	3		
9	CONNECTING ROD	3		



MP39691

John Deere > Turf And Utility >TRACTOR, COMPACT UTILITY >3TNV76 - TRACTOR, COMPACT UTILITY >2320 Compact Utility Tractor >20 ENGINE >ST149755 - CRANKSHAFT, FLYWHEEL AND MOUNTING FLANGE

KEY	PART NO.	PART NAME	QTY	REMARKS
1	M87887	BOLT	5	
2	M807344	BEARING	1	
3	MIA880102	FLYWHEEL	1	
4	M88025	RING GEAR	1	
5	AM882425	CRANKSHAFT	1	
6	M802255	PIN	1	
7	400R	BALL	1	
8	M87812	SHAFT KEY	1	
9	M811864	GEAR	1	
10	MIU800069	PULLEY	1	
11	M800308	WASHER	1	
12	M800075	BOLT	1	
13	M801156	NUT	1	
14	19M8317	SCREW	2	M8 X 40
15	19M7402	CAP SCREW	3	M10 X 25
16	MIU800146	COVER	1	
17	M87982	STUD	2	
18	M800011	BOLT	7	M10 X 20
19	MIU800145	FLANGE	1	
20	M802255	PIN	2	
21	AM882411	HOUSING	1	
22	M801941	SEAL	1	
23	M87826	BOLT	10	
24	M87885	BOLT	2	M8 X 80



MP35111

Thank you so much for reading.
Please click the “Buy Now!”
button below to download the
complete manual.



After you pay.

You can download the most
perfect and complete manual in
the world immediately.

Our support email:

ebooklibonline@outlook.com