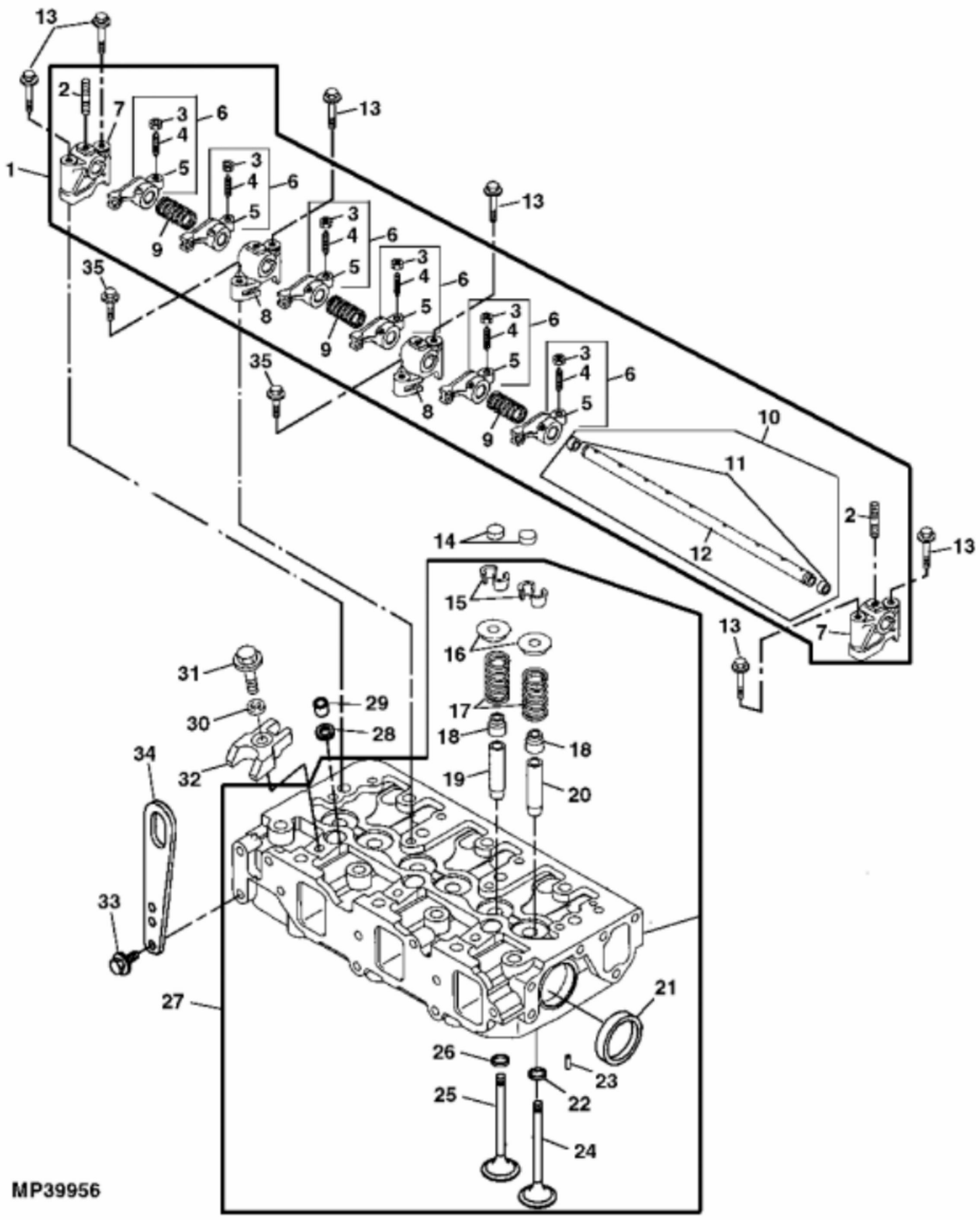


MP40262

KEY	PART NO.	PART NAME	QTY	REMARKS
1	M801186	BOLT	14	
2	M806440	ENGINE CYLINDER HEAD GASKET	1	
3	MIA880914	CYLINDER BLOCK	1	
4	30M7023	PLUG	6	
5	15H562	PIPE PLUG	1	1"
6	MIU800573	BUSHING	1	CAMSHAFT
7	MIU800797	SHAFT	1	IDLE GEAR
8	19M8317	BOLT	3	
9	M87801	PLUG	2	
10	M800974	PIPE	2	KNOCK
11	AM875371	BEARING KIT	4	MAIN (STD)
11	MIA880550	BEARING	4	(.25 MM (.010")), US, MAIN
12	BEARING CAP	3	MAIN BEARING
13	M801189	BOLT	8	
14	BEARING CAP	1	MAIN BEARING
15	MIA880555	BEARING	2	THRUST
16	CH10335	PLUG	3	
17	CH10314	PLUG	1	
18	M802255	PIN	4	
19	DRAIN PLUG	1	
20	CH18079	SPRING PIN	2	
21	CH15575	PIN	3	
22	T110725	NOZZLE	3	COOLING
23	T110724	CHECK VALVE	3	
24	MIA880918	SHORT BLOCK ASSEMBLY	1	NLA; ORDER MIA882688; Not Illustrated
24	MIA882688	SHORT BLOCK ASSEMBLY	1	SUB FOR MIA880918; Not Illustrated
25	MIA10883	DIESEL ENGINE	1	NLA; ORDER MIA12471; Not Illustrated
25	MIA12471	DIESEL ENGINE	1	ORDER MIA882688; Not Illustrated
25	MIA882688	SHORT BLOCK ASSEMBLY	1	Not Illustrated

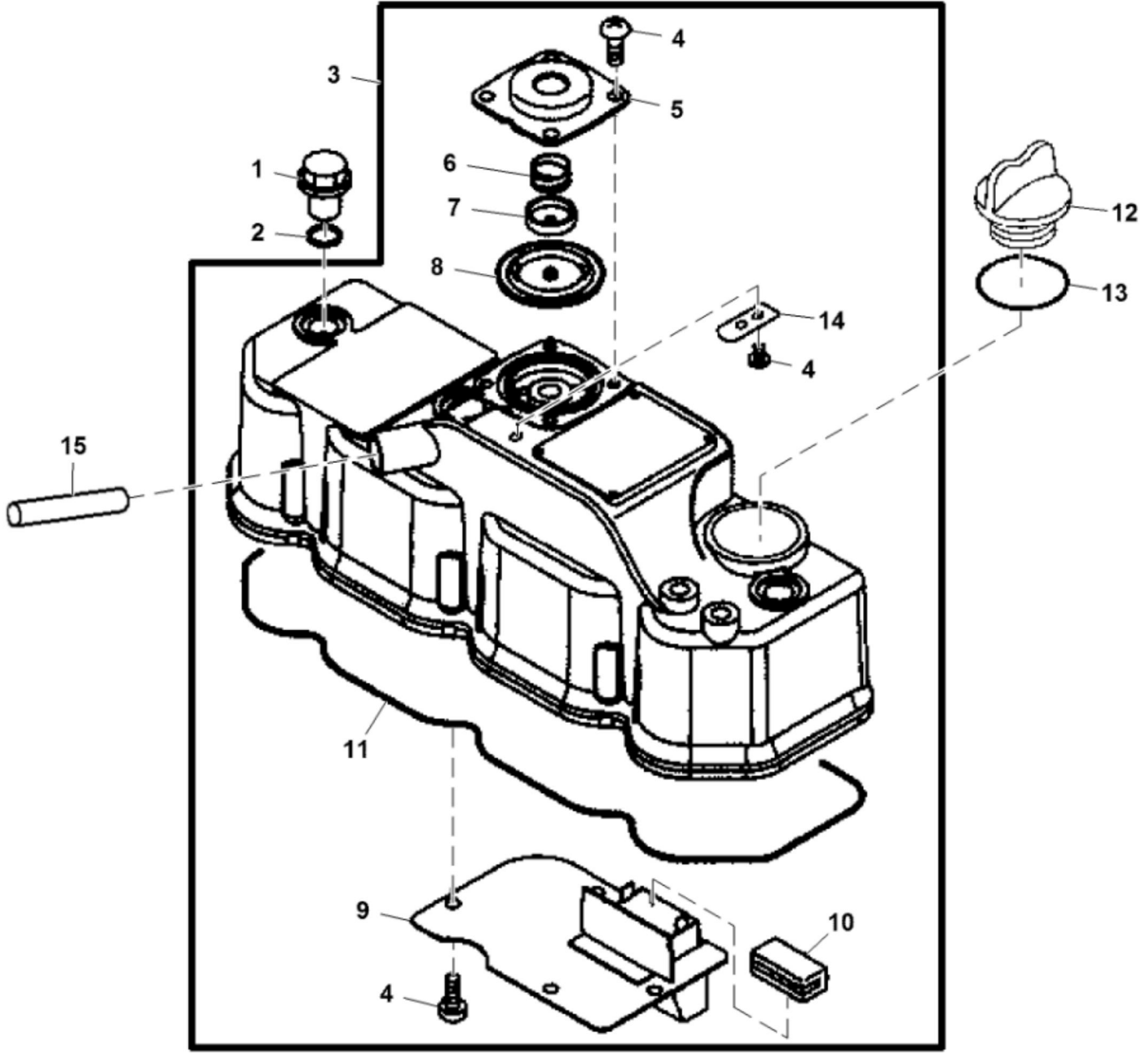


MP39956

ARMS

KEY	PART NO.	PART NAME	QTY	REMARKS
1	AM882086	KIT	1	ROCKER SHAFT
2	STUD	3	
3	M801028	NUT	1	
4	M801027	SCREW	1	
5	ROCKER ARM	1	
6	AM881820	ARM	6	
7	M811050	SUPPORT	2	ROCKER ARM
8	M811051	SUPPORT	2	ROCKER ARM
9	M801025	SPRING	3	
10	M811426	ROCKER ARM SHAFT	1	
11	PLUG	2	
12	SHAFT	1	
13	CH19086	BOLT	6	
14	M801224	CAP	6	
15	AM878862	RETAINER KIT	6	(2 PER PKG) , VALVE RETAINER
16	M801223	RETAINER	6	SPRING
17	M801222	SPRING	6	VALVE
18	CH10450	SEAL	3	INTAKE
18	T110650	SEAL	3	EXHAUST
19	M801228	GUIDE	3	EXHAUST
20	M801227	GUIDE	3	INTAKE
21	CH16751	PLUG	2	
22	M811498	VALVE SEAT	3	INTAKE
23	M801217	PLUG	3	
24	MIU800446	INTAKE VALVE	3	
25	T110649	EXHAUST VALVE	3	
26	T110653	VALVE SEAT	3	EXHAUST
27	MIA880912	CYLINDER HEAD	1	
28	M801017	VALVE SEAT	3	
29	M811052	GUARD	3	NOZZLE
30	M811080	WASHER	3	
31	M87884	BOLT	3	
32	M811088	RETAINER	3	
33	19M7865	SCREW	4	M8 X 16

KEY	PART NO.	PART NAME	QTY	REMARKS	
34	AT211695	LIFT ARM	2		
35	CH19085	BOLT	2		



John Deere > Turf And Utility >TRACTOR, COMPACT UTILITY >4105 - TRACTOR, COMPACT UTILITY >4105 Compact Utility Tractor >20 ENGINE >ST151165 - CYLINDER HEAD COVER AND GASKETS (- 610000)

KEY	PART NO.	PART NAME	QTY	REMARKS	
1	CH10348	NUT	3		
2	CH10568	PACKING	3		
3	MIA880911	VALVE COVER	1		
4	M807374	SCREW	9		
5	M811649	COVER	1	BREATHER	
6	M811650	SPRING	1		
7	M811046	PLATE	1		
8	M811048	DIAPHRAGM	1		
9	M811085	PLATE	1		
10	M801032	DEFLECTOR	1		
11	M811429	GASKET	1		
12	M805710	CAP	1		
13	M805711	PACKING	1		
14	MIU800897	SPRING	1	(Spring, Plate)	
15	M801037	HOSE	1	USE WITH MIA13023	

Thank you so much for reading.
Please click the “Buy Now!”
button below to download the
complete manual.



After you pay.

You can download the most
perfect and complete manual in
the world immediately.

Our support email:

ebooklibonline@outlook.com