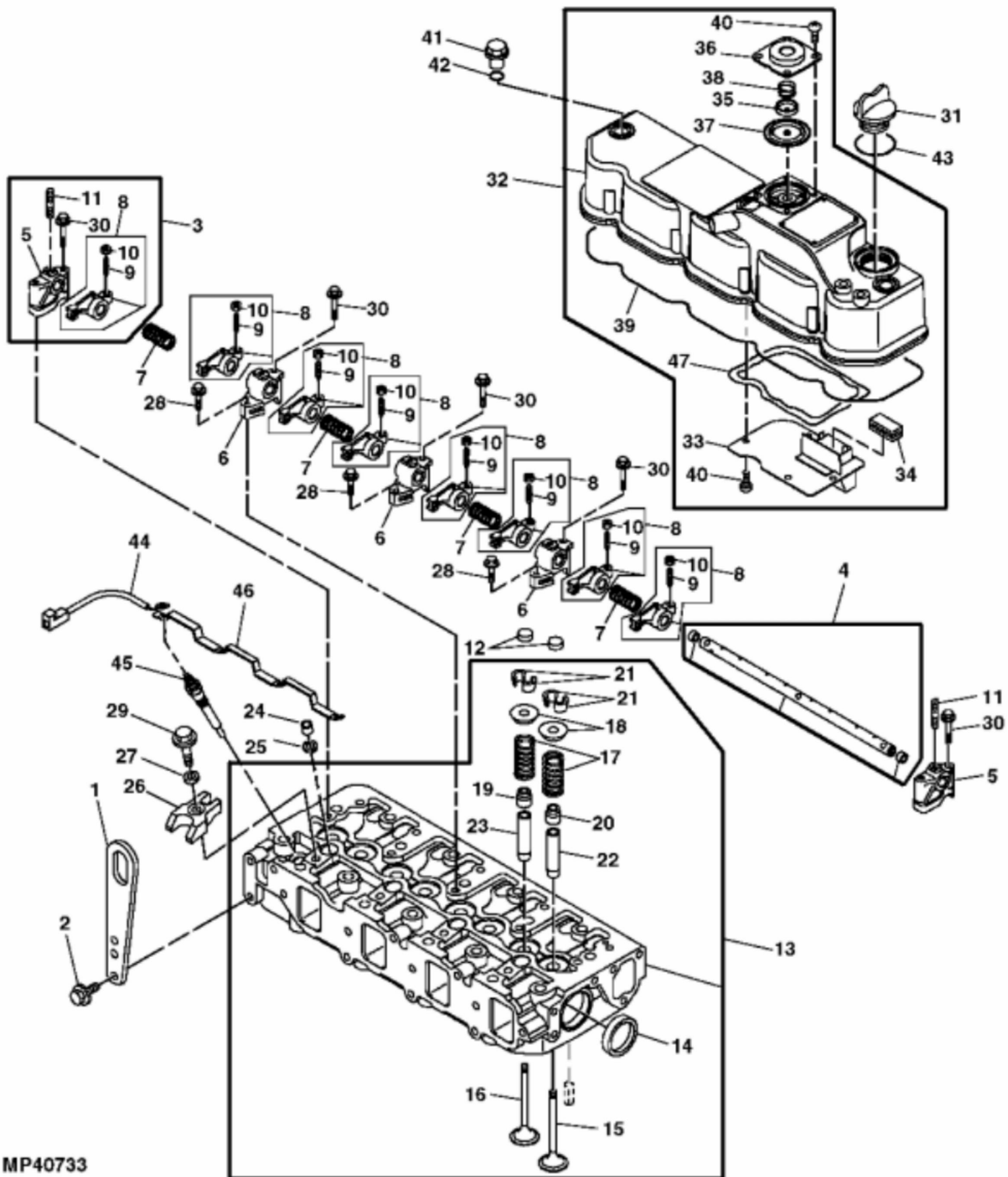


KEY	PART NO.	PART NAME	QTY	REMARKS
1	MIA880799	CYLINDER BLOCK	1	
2	CH10314	PLUG	1	
3	PLUG	1	
4	CH10335	PLUG	2	
5	15H562	PIPE PLUG	1	1"
6	M801189	BOLT	10	
7	MIU800573	BUSHING	1	CAMSHAFT
8	M87801	PLUG	2	
9	30M7023	PLUG	8	
10	M802255	PIN	4	
11	M811307	PLUG	1	
12	M800974	PIPE	2	
13	MIA880555	BEARING	2	THRUST
14	MIU800797	SHAFT	1	
15	CH18079	SPRING PIN	2	
16	19M8317	SCREW	3	M8 X 40
17	M801186	BOLT	18	
18	M806518	ENGINE CYLINDER HEAD GASKET	1	
19	MIA880554	BEARING	5	MAIN, (STD)
19	MIA880550	BEARING	5	.25MM (.010"), US, MAIN
20	BEARING CAP	5	
..	ENGINE	1	(MARKED 4TNV88-ULJNT) (ORDER MIA880806)
..	MIA880806	SHORT BLOCK ASSEMBLY	1	NLA; ORDER MIA882696
..	MIA882696	SHORT BLOCK ASSEMBLY	1	

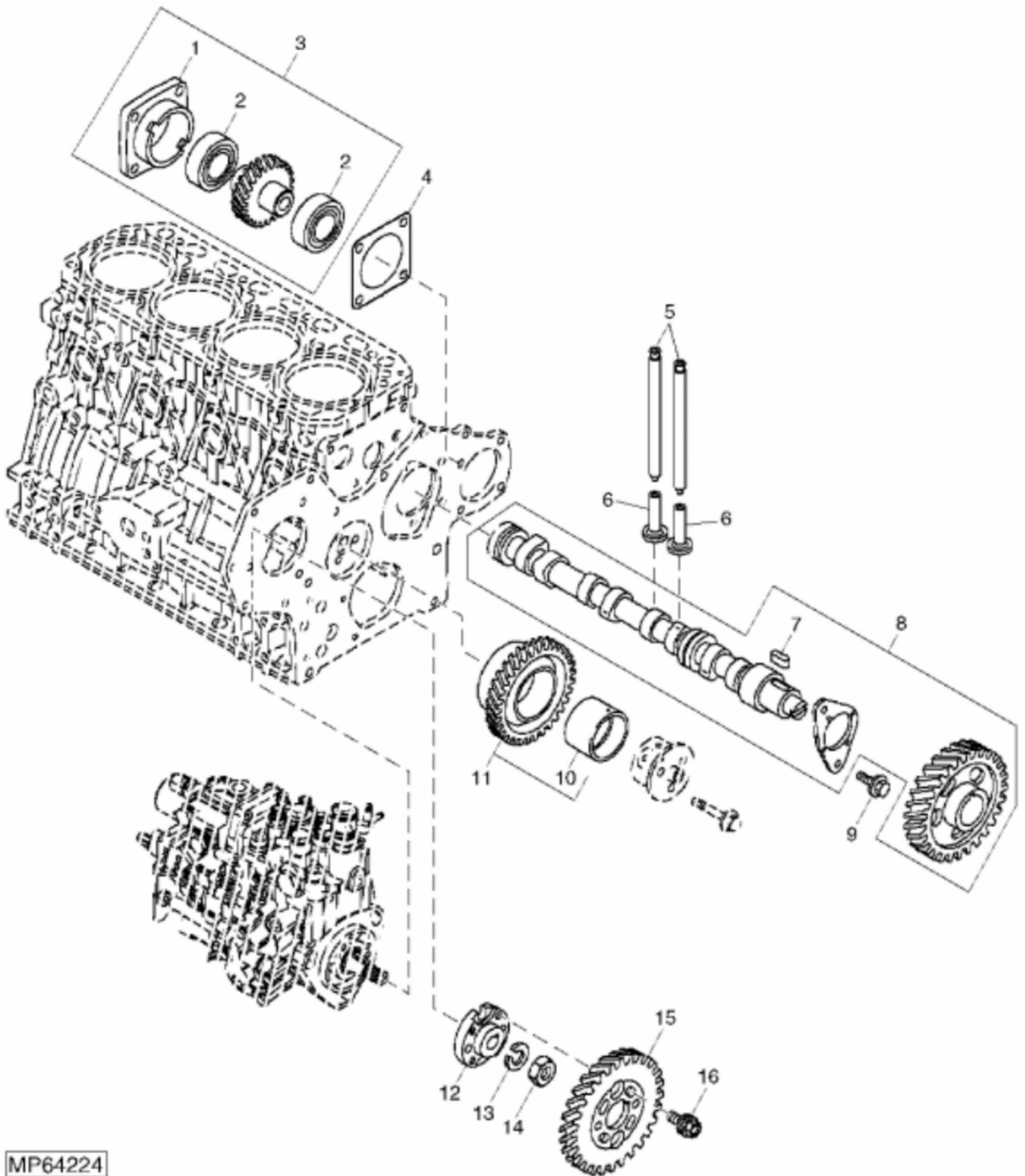


MP40733

ARMS

KEY	PART NO.	PART NAME	QTY	REMARKS
1	AT211695	LIFT ARM	2	ENGINE
2	CH19780	BOLT	4	
3	AM881804	ROCKER ARM SHAFT	1	
4	M811121	SHAFT	1	
5	M811050	SUPPORT	2	
6	M811051	SUPPORT	3	
7	M801025	SPRING	4	
8	AM881820	ROCKER ARM	8	
9	M801027	SCREW	1	
10	M801028	NUT	1	
11	M801024	STUD	3	
12	M801224	CAP	8	
13	MIA880794	CYLINDER HEAD	1	
14	CH16751	PLUG	2	
15	M811557	INTAKE VALVE	4	
16	MIU800494	EXHAUST VALVE	4	
17	M801222	SPRING	8	
18	M801223	RETAINER	8	
19	T110650	SEAL	4	
20	CH10450	SEAL	4	
21	AM878862	RETAINER KIT	8	
22	M801227	GUIDE	4	INTAKE VALVE
23	M801228	GUIDE	4	EXHAUST VALVE
24	M811052	SHIELD	4	
25	M801017	VALVE SEAT	4	
26	M811088	RETAINER	4	
27	M811080	WASHER	4	
28	CH19085	BOLT	3	
29	19M7897	SCREW	4	M8 X 35
30	19M7800	SCREW	7	M8 X 50
31	M805710	CAP	1	
32	AM881803	VALVE COVER	1	
33	M811085	PLATE	1	
34	M801032	DEFLECTOR	1	BREATHER

KEY	PART NO.	PART NAME	QTY	REMARKS	
35	M811046	PLATE	1		
36	M811649	COVER	1		
37	M811048	DIAPHRAGM	1		
38	M811650	SPRING	1		
39	M811123	GASKET	1		
40	M807374	SCREW	8		
41	CH10348	NUT	3		
42	CH10568	PACKING	3		
43	M805711	PACKING	1		
44	MIU800798	WIRING HARNESS	1	GLOW PLUG	
45	MIU800816	GLOW PLUG	4		
46	MIU800828	ELECTRICAL CONNECTOR ASSY	1	GLOW PLUG	
47	SEALANT	1		



MP64224

KEY	PART NO.	PART NAME	QTY	REMARKS	
1	M802618	BRACKET	1		
2	CH13505	BALL BEARING	2		
3	AM876339	GEAR	1	HYDRAULIC PUMP DRIVE	
4	M805840	GASKET	1		
5	M801238	PUSH ROD	8		
6	M801046	CAM FOLLOWER	8		
7	M801045	SHAFT KEY	1		
8	AM875386	CAMSHAFT	1		
9	CH19780	BOLT	2		
10	MIU800595	BUSHING	1		
11	MIA880571	IDLER GEAR	1		
12	FLANGE	1		
13	12M7068	LOCK WASHER	1	14 mm	
14	CH17448	NUT	1		
15	M811057	GEAR	1		
16	BOLT	4		

Thank you so much for reading.
Please click the “Buy Now!”
button below to download the
complete manual.



After you pay.

You can download the most
perfect and complete manual in
the world immediately.

Our support email:

ebooklibonline@outlook.com