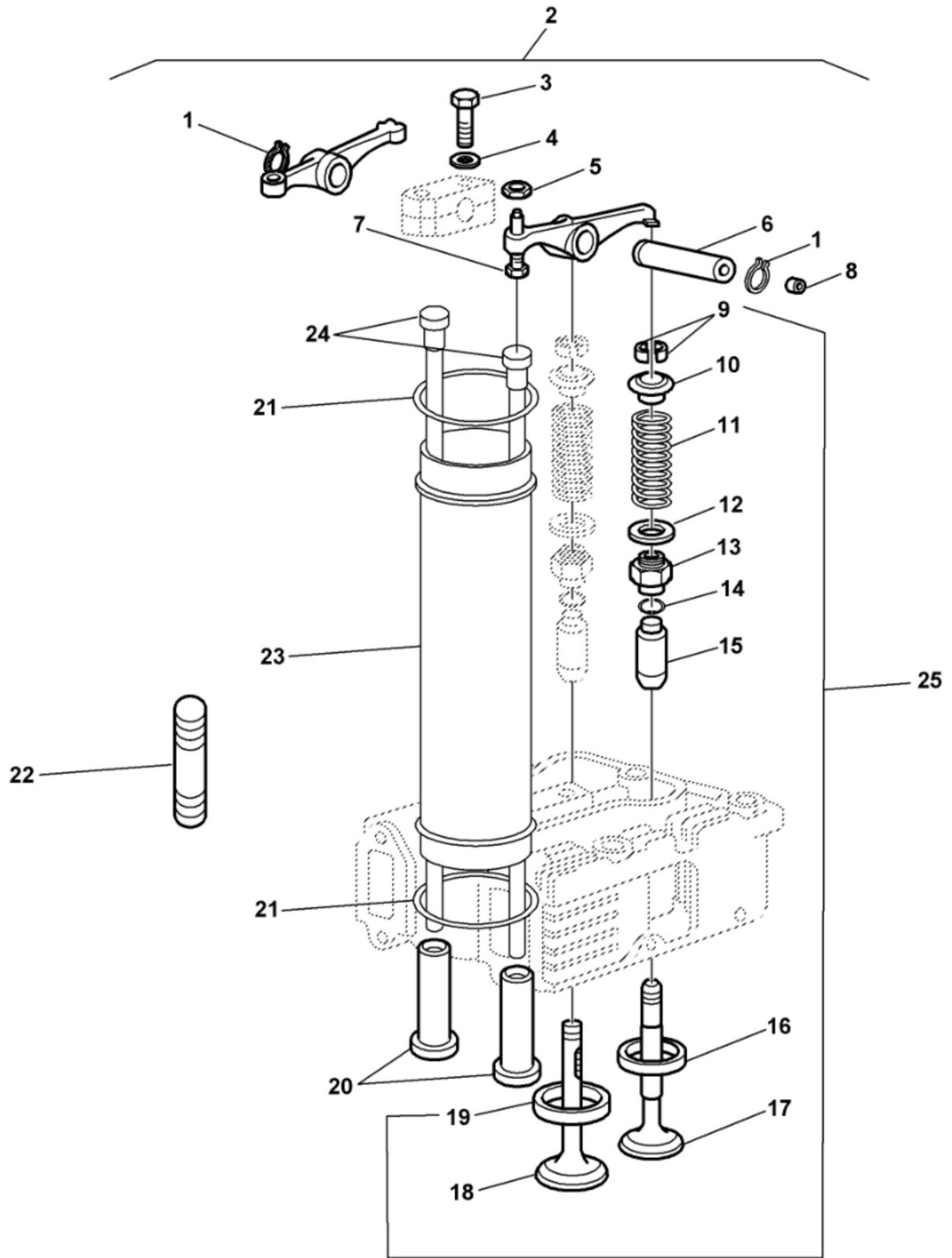




PULV101949

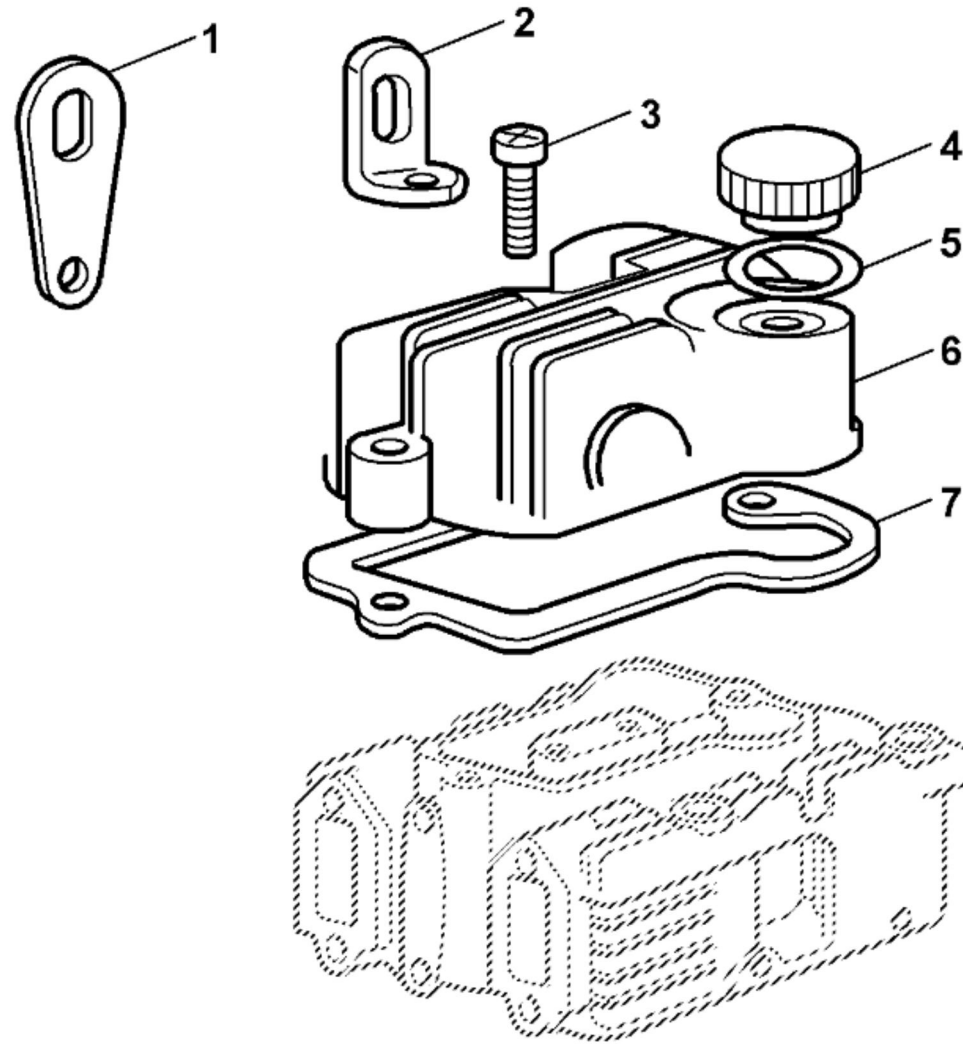
KEY	PART NO.	PART NAME	QTY	REMARKS	
1	FG2010612	DIESEL ENGINE	1		



PY54120

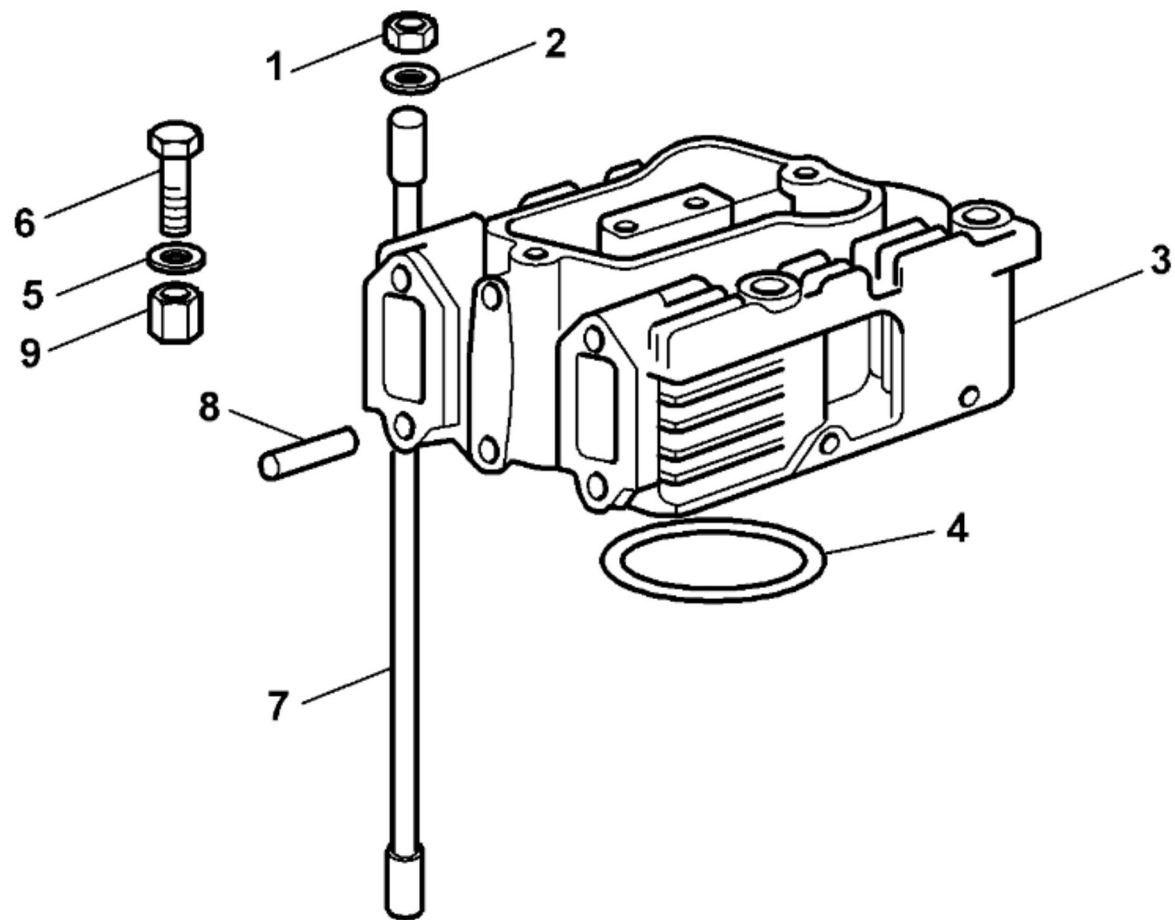
John Deere > Turf And Utility >TRACTOR, COMPACT UTILITY >20A - TRACTOR, COMPACT UTILITY >20A Nursery and Greenhouse Tractor >20 ENGINE >ST321548 - ROCKER ARM / SHAFT / TAPPET / PUSH ROD

KEY	PART NO.	PART NAME	QTY	REMARKS
1	SNAP RING	2	ORDER FGL6045143
2	FGL6045143	ROCKER ARM	2	ASSY
3	FGL1770014	BOLT	4	
4	FGL771R011	WASHER	4	
5	FGL323R007	NUT	4	
6	FGL601R062	PIN	2	
7	FGL726R003	ADJUSTER	4	
8	FGL886R044	PLUG	2	
9	FGL809R004	VALVE	8	
10	FGL616R043	PLATE	4	
11	FGL540R077	SPRING	4	
12	FGL6400098	PLATE	4	
13	FGL4535015	GASKET	4	
14	FGL059R068	RING	4	
15	FGL464R077	GUIDE	4	
15	FGL464R059	GUIDE	4	0.1 MM
16	FGL059R096	RING	2	
16	FGL060R007	O-RING	2	0.5 MM
17	FGL960R055	VALVE	2	EXHAUST
18	FGL960R056	VALVE	2	INTAKE
19	FGL059R097	RING	2	
19	FGL060R008	O-RING	2	0.5 MM
20	FGL708R013	TAPPET	4	
21	FGL579R046	RING	4	
22	FGL6780085	STUD	2	
23	FGL940R021	PIPE	2	
24	FGL071R058	PUSH ROD	4	
25	FGLA20R090	CYLINDER HEAD	2	(ALSO INCLUDES FGLA20R089)



PY54112

KEY	PART NO.	PART NAME	QTY	REMARKS	
1	FGL8545939	BRACKET	1		
2	FGL8506089	BRACKET	1		
3	FGL9732064	SCREW	4		
4	FGL894R033	PLUG	2		
5	FGL579R047	O-RING	2		
6	FGL233R100	COVER	2		
7	FGL4400143	GASKET	1	SUB FOR FGL4400088	



PY54114

Thank you so much for reading.
Please click the “Buy Now!”
button below to download the
complete manual.



After you pay.

You can download the most
perfect and complete manual in
the world immediately.

Our support email:

ebooklibonline@outlook.com