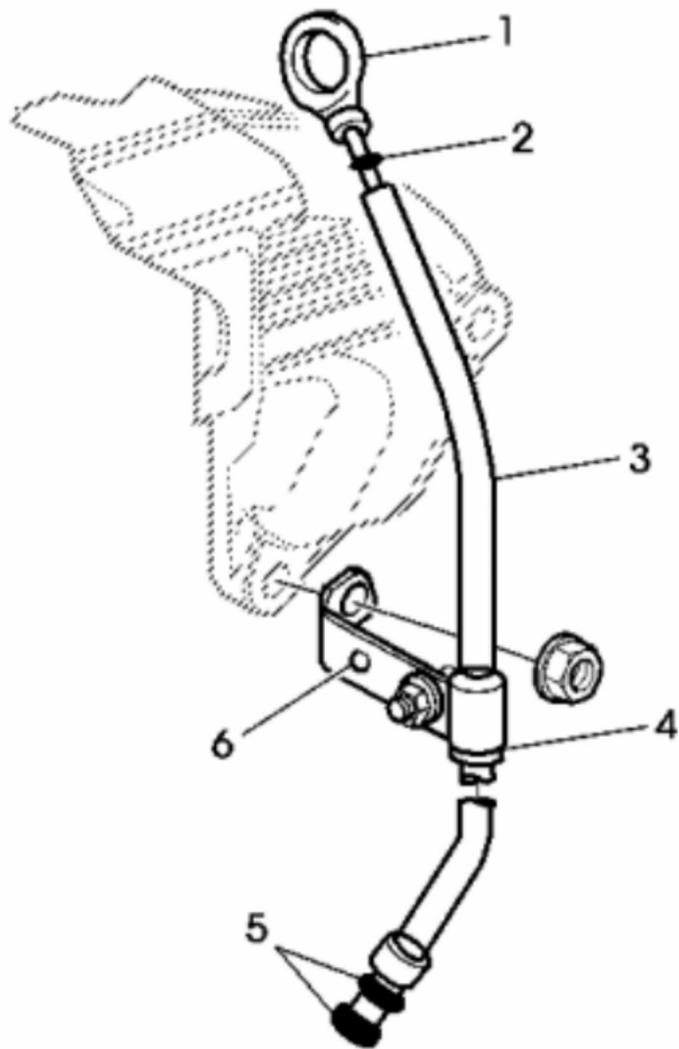


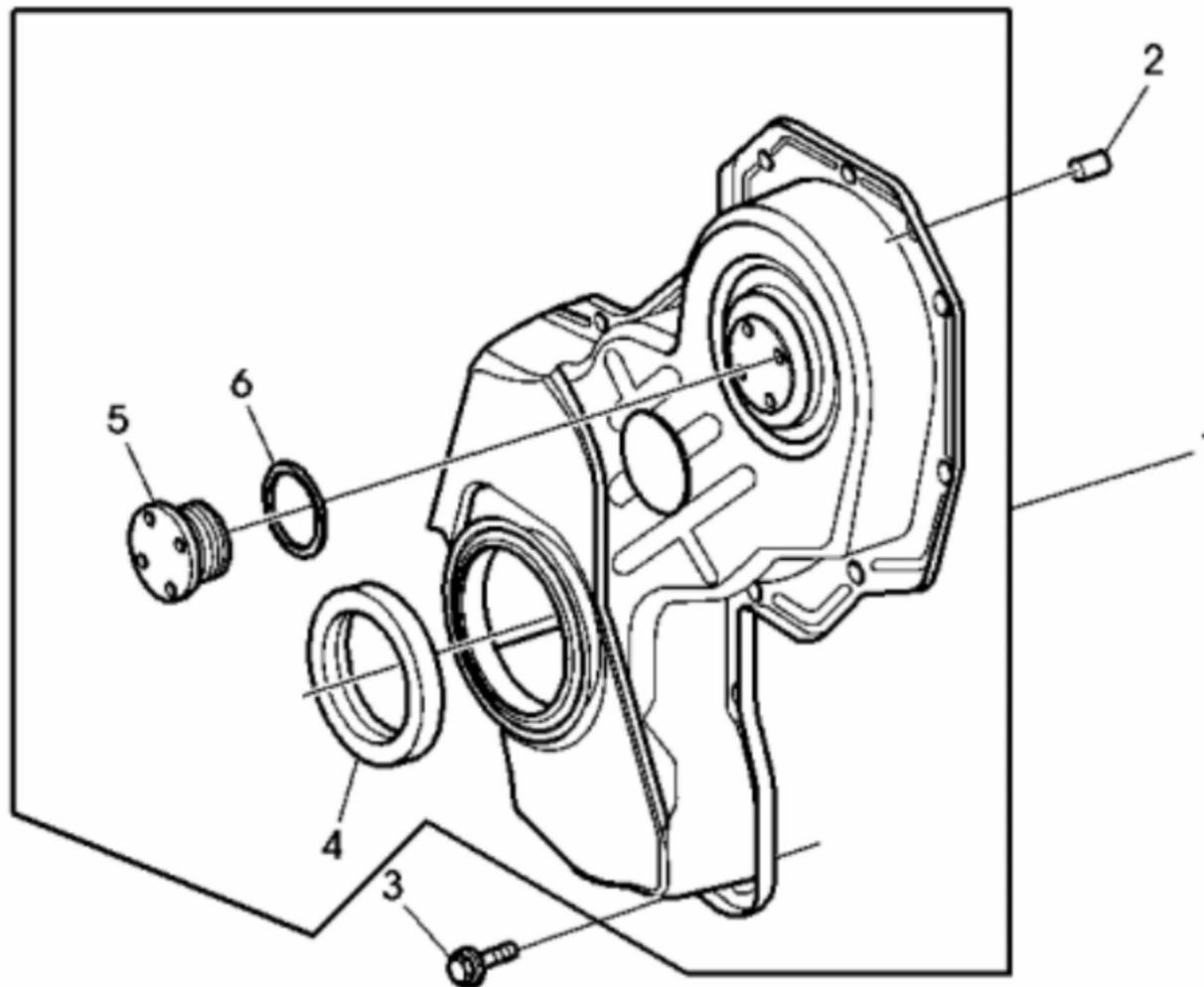
PY54137

KEY	PART NO.	PART NAME	QTY	REMARKS	
1	FGV13002479	CRANK KIT	1		
2	FGV11382018	VALVE	4		
3	FGV46320248	O-RING	4		
4	FGV10302037	BUSHING	1		
4	FGV10302038	BUSHING	1	0.25	
5	FGV11382010	VALVE	1		



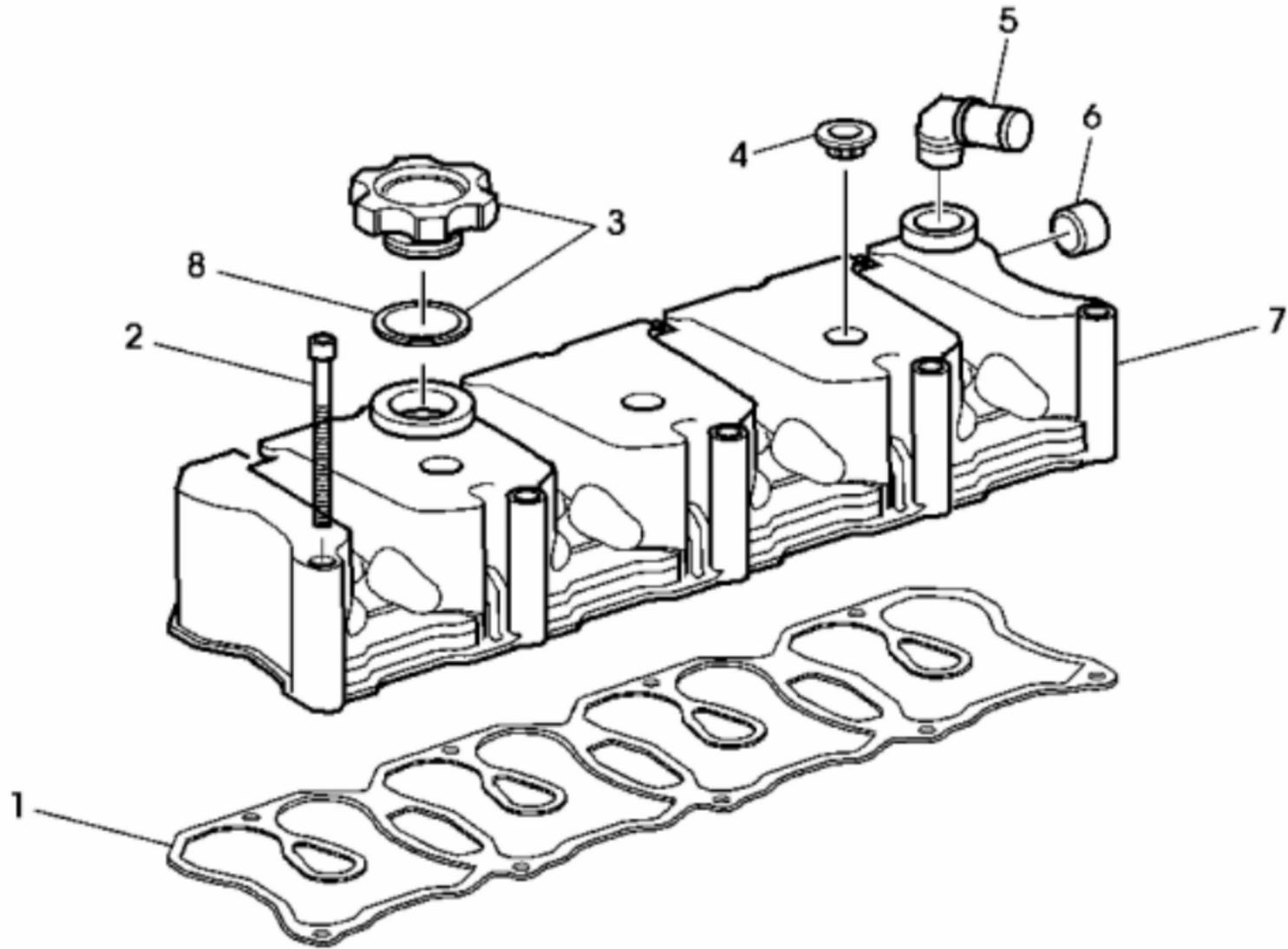
PY53464

KEY	PART NO.	PART NAME	QTY	REMARKS	
1	FGV20872021	DIPSTICK	1		
2	FGV46320006	O-RING	1		
3	FGV21282731	TUBE	1		
4	FGV31302026	WASHER	1		
5	FGV46320509	O-RING	1		
6	FGV11612012	CLAMP	1		



PY53439

KEY	PART NO.	PART NAME	QTY	REMARKS	
1	FGV10132087	COVER	1		
2	FGV41840108	PIN	2		
3	FGV41901203	SCREW	14		
4	FGV46340871	SEAL	1		
5	FGV21772104	PLUG	1		
6	FGV22032134	GASKET	1		



PY53435

Thank you so much for reading.
Please click the “Buy Now!”
button below to download the
complete manual.



After you pay.

You can download the most
perfect and complete manual in
the world immediately.

Our support email:

ebooklibonline@outlook.com