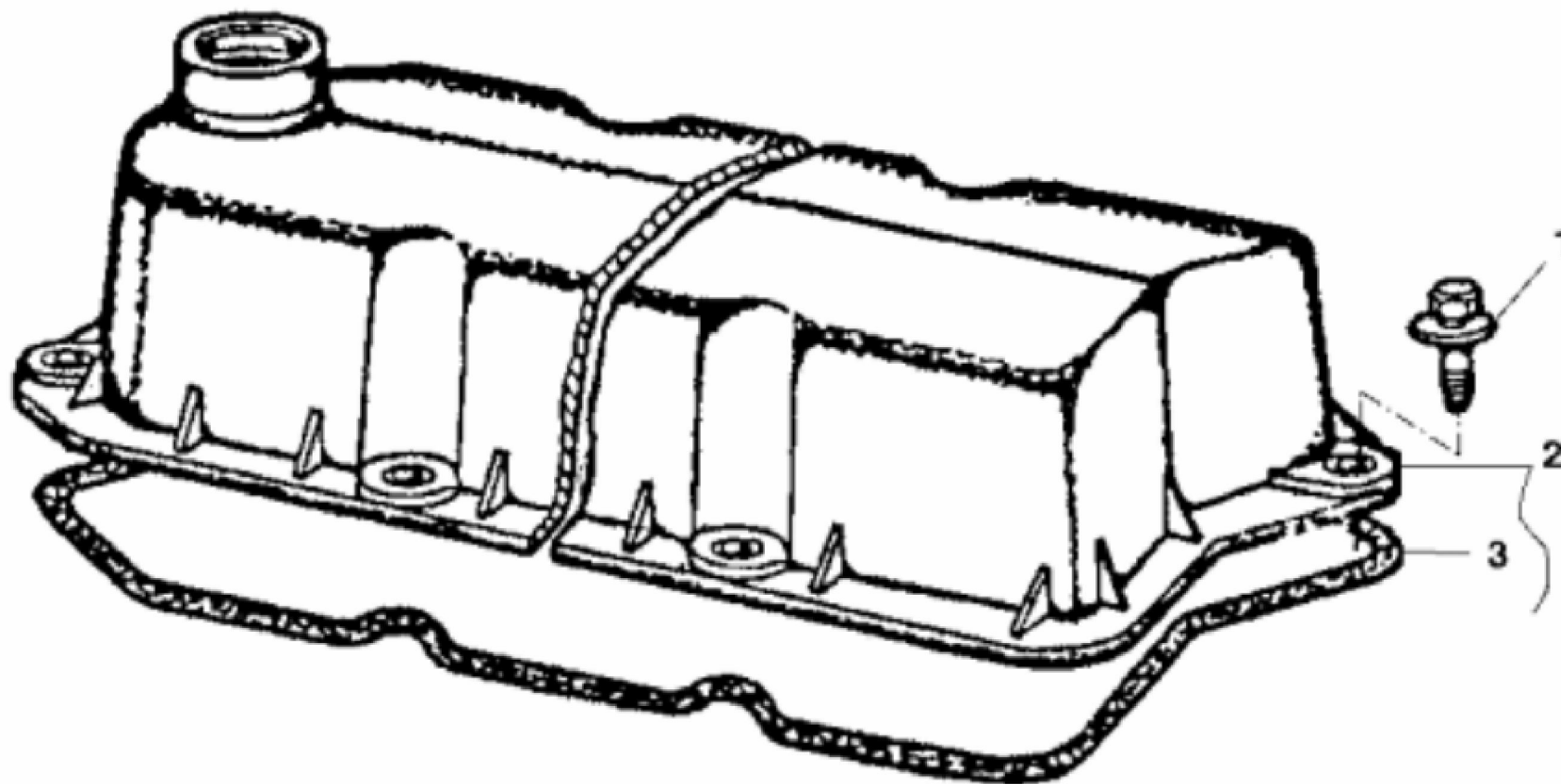


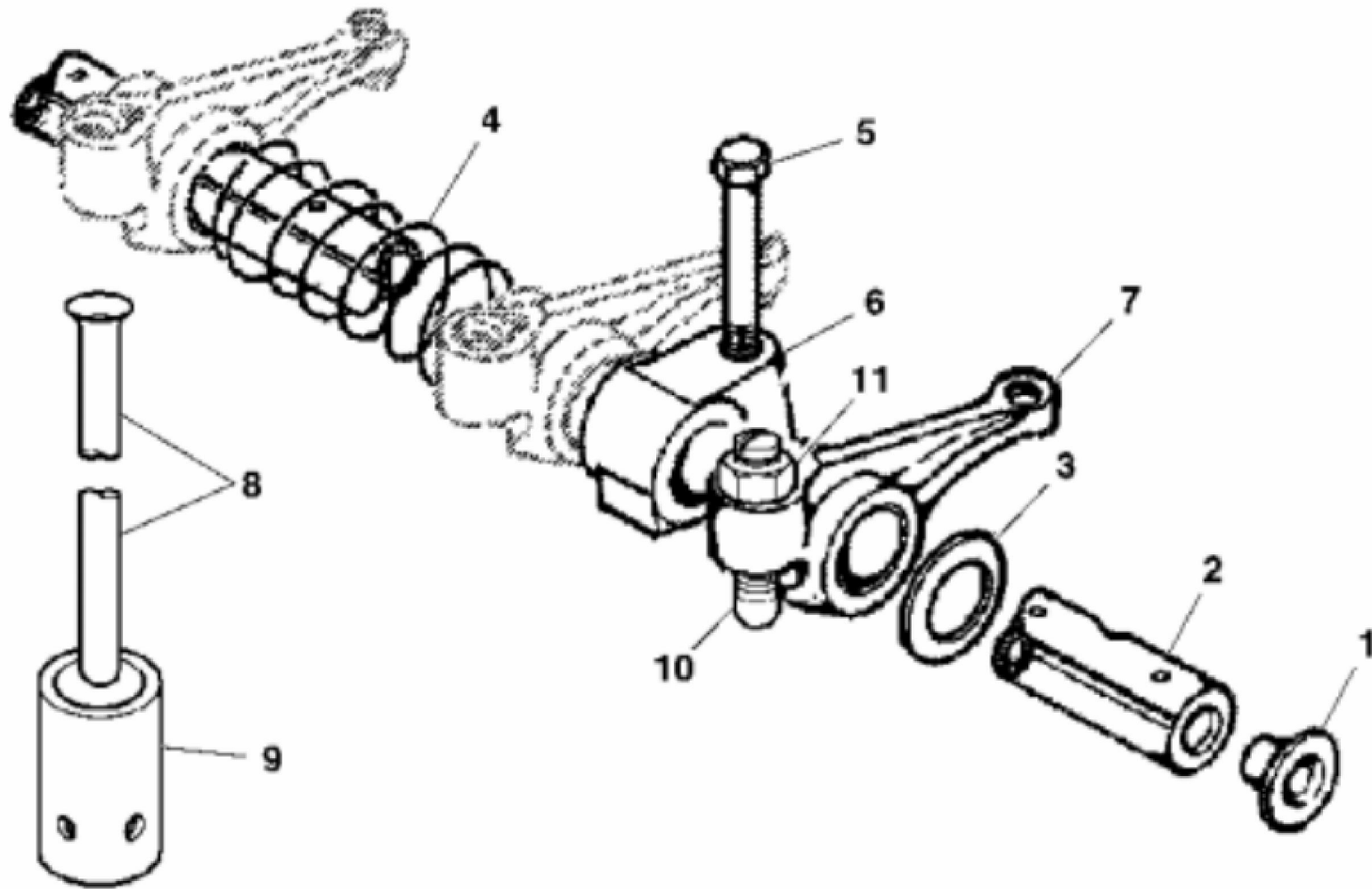
PUBM0575

KEY	PART NO.	PART NAME	QTY	5303	5403	REMARKS	
1	R56463	O-RING	1	X	X		
2	R92154	ELBOW FITTING	1	X	X		
3	AT18904	CLAMP	1	X	X		
4	R122401	TUBE	1	X	X		



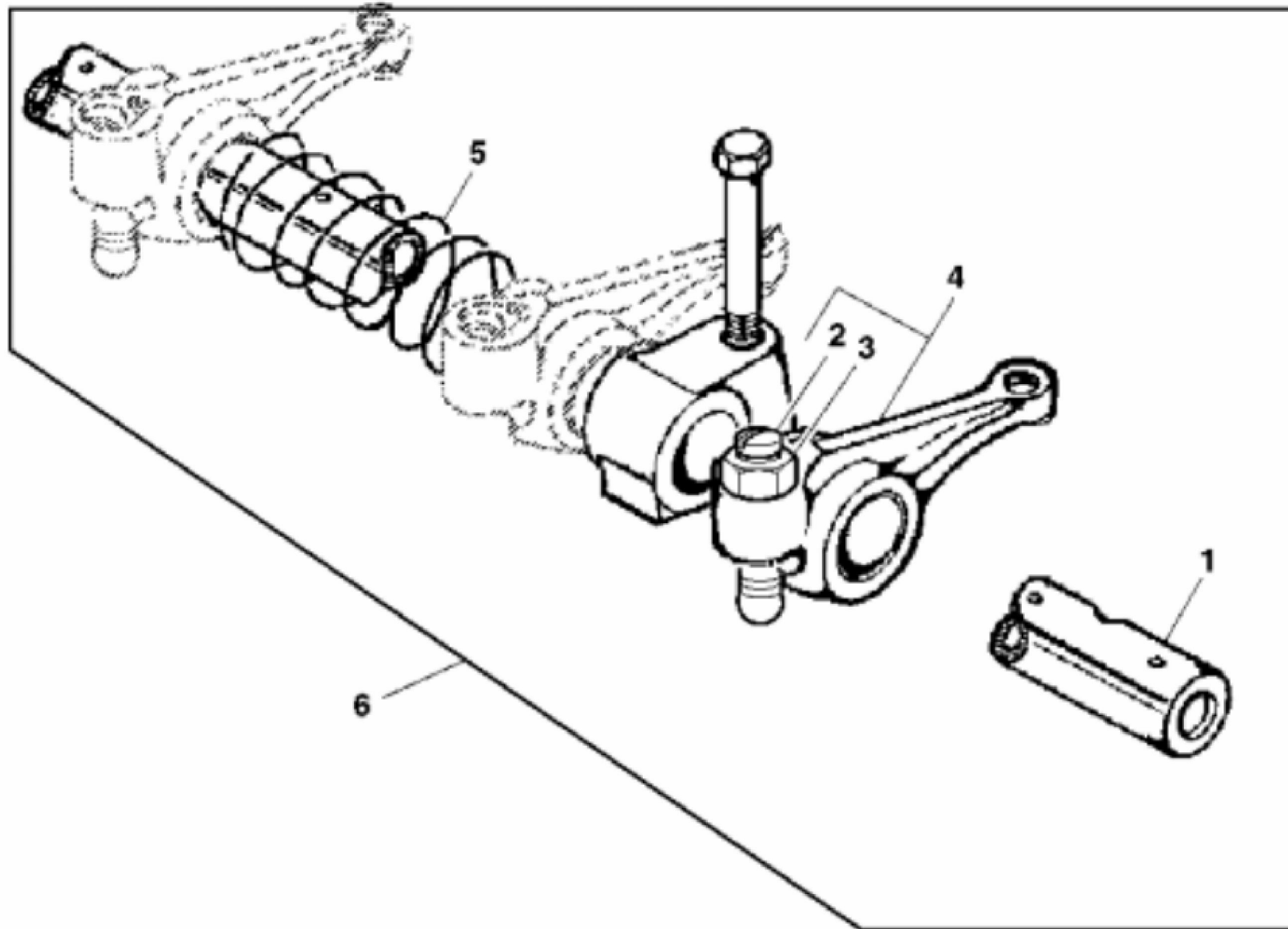
PUBM0576

KEY	PART NO.	PART NAME	QTY	5303	5403	REMARKS	
1	RE32140	SCREW WITH WASHER	6	X	X		
2	RE515827	VALVE COVER	1	X	X		
3	R106796	GASKET	1	X	X		



PUBM0577

KEY	PART NO.	PART NAME	QTY	5303	5403	REMARKS	
1	R54565	PLUG	2	X	X		
2	SHAFT	1	X	X	NLA; ORDER RE519735	
2	RE519735	ROCKER ARM SHAFT	1	X	X		
3	T20316	WASHER	2	X	X		
4	T20314	SPRING	2	X	X		
5	R504813	SELF-LOCKING SCREW	3	X	X		
6	R123161	SUPPORT	3	X	X		
7	RE62148	ROCKER ARM	6	X	X		
8	R515095	PUSH ROD	6	X	X		
9	R515092	CAM FOLLOWER	6	X	X		
10	R125880	SCREW	3	X	X		
11	R125881	LOCK NUT	3	X	X		



PUBM0613

Thank you so much for reading.
Please click the “Buy Now!”
button below to download the
complete manual.



After you pay.

You can download the most
perfect and complete manual in
the world immediately.

Our support email:

ebooklibonline@outlook.com