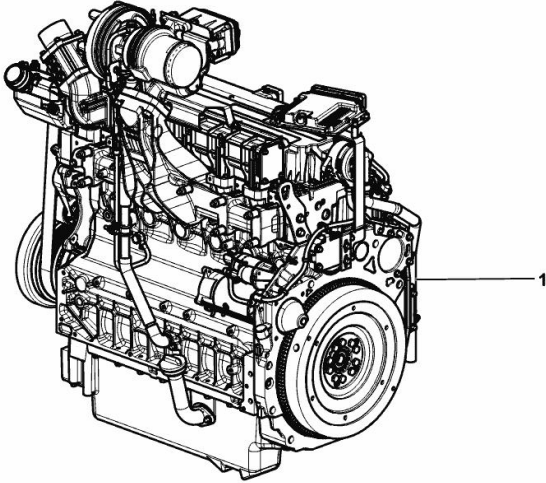


**ENGINE**

| Fig. | P/n | QTY | Name |
|------|-----|-----|------|
|------|-----|-----|------|

Notes:  
 - EXPORT U.S.A. [6140 Agrottron]

|   |          |   |   |
|---|----------|---|---|
| 1 | 25010705 | 1 | engine<br>ON ORDERING PLEASE<br>ENGINE NO. REQUIRED |
|---|----------|---|---|



K9\_K8819\_02\_0-A-001

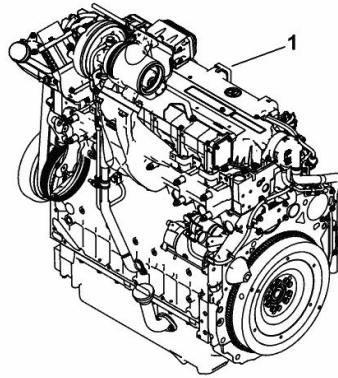
**ENGINE**

| Fig. | P/n | QTY | Name |
|------|-----|-----|------|
|------|-----|-----|------|

Notes:  
[6140 Agrottron]

|   |          |   |  |
|---|----------|---|--|
| 1 | 25009943 | 1 | engine TCD 6.1 L6 T4I<br>ON ORDERING PLEASE<br>ENGINE NO. REQUIRED |
|---|----------|---|--|

K9\_K8819\_01\_0-A-002



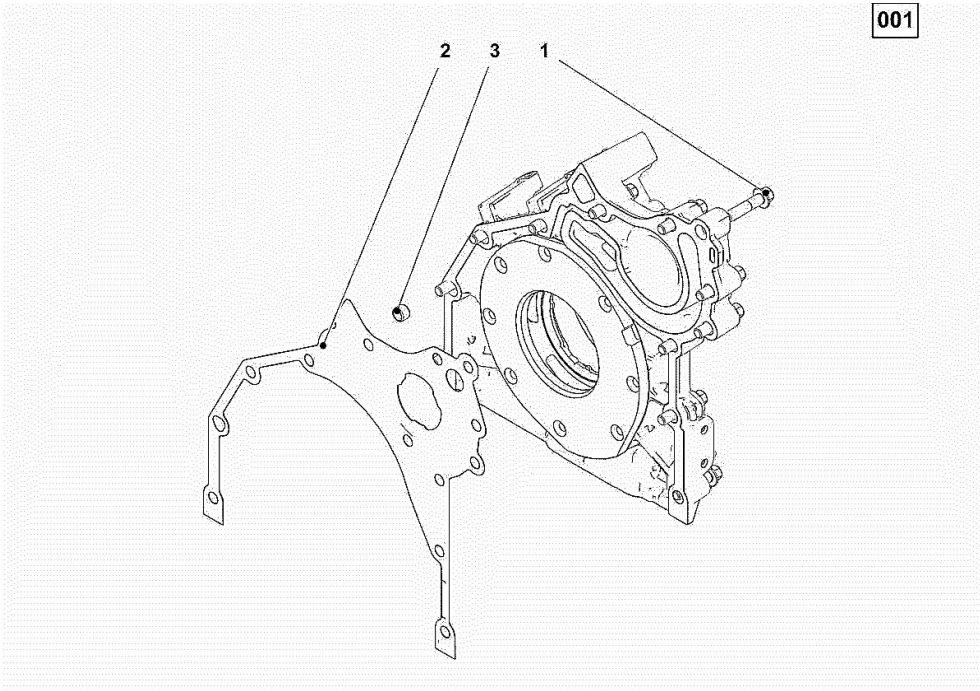
**FASTENINGS**

| Fig. | P/n | QTY | Name |
|------|-----|-----|------|
|------|-----|-----|------|

**Notes:**  
[6140 Agrottron]

**Engine serial number:**

11425626 11428072 11428073 11428074 11443761 11443762 11443763 11479197 11479198 11484755 11484756  
11519365 11519366 11519367 11519368 11519369 11519370 11519371 11519372 11519373 11519374 11526476  
11526477 11526478 11526479 11526480 11526481 11527170 11527339 11527340 11527341 11527342 11527343  
11527344 11527345 11527346 11527347 22000413 22000430 22000592 22000593 22000594 22000595



|   |          |    |  |
|---|----------|----|--|
| 1 | 01143362 | 12 | screw<br>5 Nm, 30 Nm. consult workshop manual<br>EN 1662 -F-M8X35-10.9-A4C |
| 2 | 04504325 | 1  | gasket   |
| 3 | 01181406 | 1  | bushing<br>H 2341 -B11X8-FE/ZN12C*   |

Section: B0 - ENGINE  
**SERIE GUARNIZIONI**

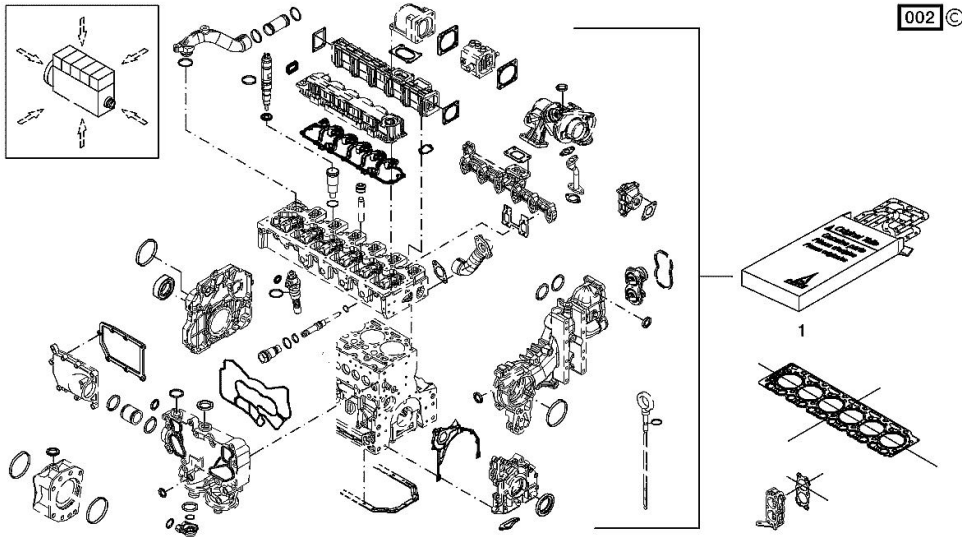
| Fig. | P/n | QTY | Name |
|------|-----|-----|------|
|------|-----|-----|------|

**Notes:**  
 [6140 Agrottron]

**Engine serial number:**

11425626 11428072 11428073 11428074 11443761 11443762 11443763 11479197 11479198 11484755 11484756  
 11519365 11519366 11519367 11519368 11519369 11519370 11519371 11519372 11519373 11519374 11526476  
 11526477 11526478 11526479 11526480 11526481 11527170 11527339 11527340 11527341 11527342 11527343  
 11527344 11527345 11527346 11527347 22000413 22000430 22000592 22000593 22000594 22000595

|   |          |   |  |
|---|----------|---|--|
| 1 | 02937844 | 1 | gasket set<br>THE KIT DOES NOT CONTAIN ALL THE GASKETS:<br>SEE SM 0199-99-9449 |
|---|----------|---|--|



Section: B0 - ENGINE

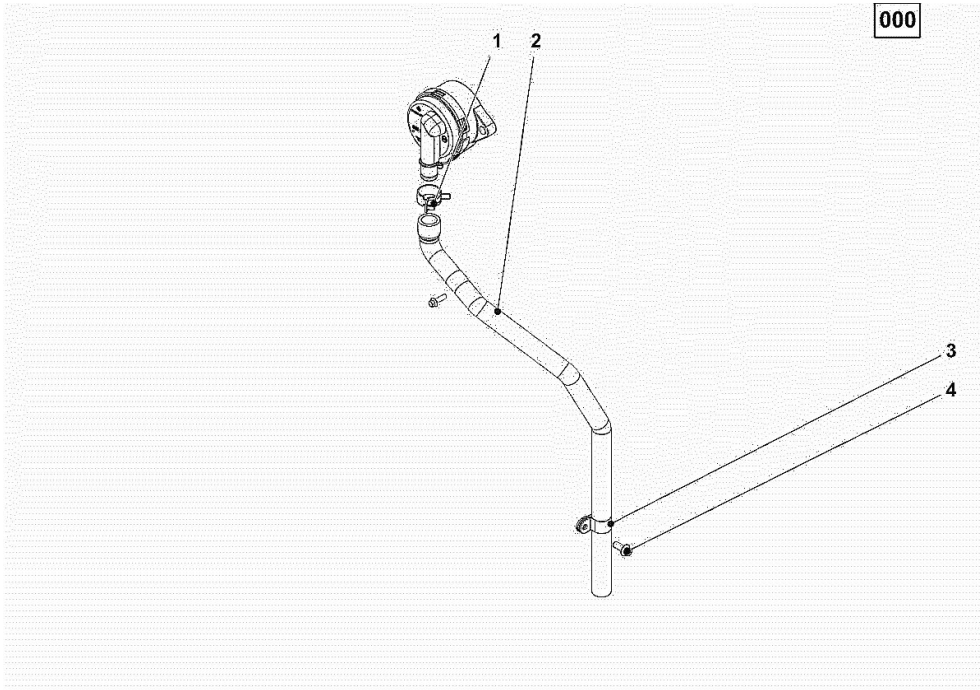
**BLEEDING TUBE**

| Fig. | P/n | QTY | Name |
|------|-----|-----|------|
|------|-----|-----|------|

**Notes:**  
[6140 Agrottron]

**Engine serial number:**

11425626 11428072 11428073 11428074 11443761 11443762 11443763 11479197 11479198 11484755 11484756  
11519365 11519366 11519367 11519368 11519369 11519370 11519371 11519372 11519373 11519374 11526476  
11526477 11526478 11526479 11526480 11526481 11527170 11527339 11527340 11527341 11527342 11527343  
11527344 11527345 11527346 11527347 22000413 22000430 22000592 22000593 22000594 22000595



|   |          |   |  |
|---|----------|---|--|
| 1 | 01178750 | 1 | clamp<br>DIN 3021 -A-29X15                           |
| 2 | 04504657 | 1 | tube   |
| 3 | 01173523 | 2 | fascia<br>DIN 3016 -1-A1-25X20-W1-2                  |
| 4 | 01181433 | 1 | screw<br>20 Nm<br>EN 1662 -F-M8X20-LG2,5-10.9-ZNAL-A |

Section: B0 - ENGINE  
**CRANKCASE BREATHER**

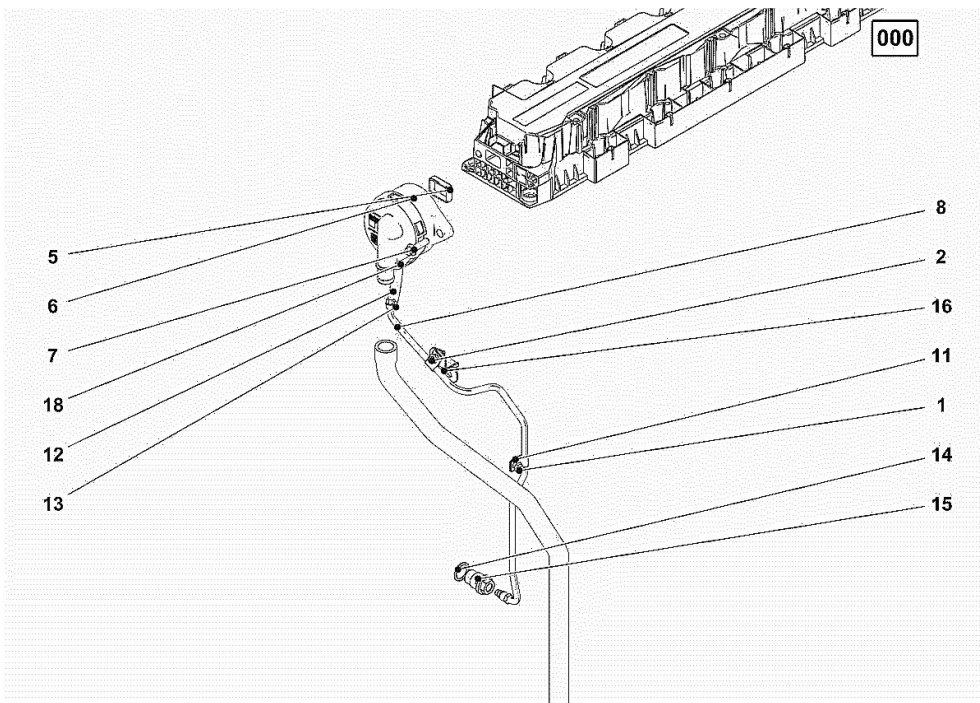
| Fig. | P/n | QTY | Name |
|------|-----|-----|------|
|------|-----|-----|------|

**Notes:**

[6140 Agrottron]

**Engine serial number:**

11425626 11428072 11428073 11428074 11443761 11443762 11443763 11479197 11479198 11484755 11484756  
 11519365 11519366 11519367 11519368 11519369 11519370 11519371 11519372 11519373 11519374 11526476  
 11526477 11526478 11526479 11526480 11526481 11527170 11527339 11527340 11527341 11527342 11527343  
 11527344 11527345 11527346 11527347 22000413 22000430 22000592 22000593 22000594 22000595



|    |          |   |  |
|----|----------|---|--|
| 1  | 01181442 | 1 | screw m6x12<br>13 Nm                                 |
| 2  | 01181433 | 1 | screw<br>13 Nm<br>EN 1662 -F-M6X12-10.9-ZNAL-A       |
| 5  | 04298547 | 1 | rubber plug  |
| 6  | 04905110 | 1 | breather<br>WITH POS.... (5)                         |
| 7  | 01181432 | 2 | screw m8x30<br>21 Nm<br>EN 1662 -F-M8X30-10.9-ZNAL-A |
| 8  | 04504866 | 1 | tube<br>WITH POS.... 11-13 20 Nm                     |
| 11 | 02144961 | 2 | fascia   |
| 12 | 04291246 | 1 | rubber tube<br>H 3407 -F8X14X72-EAM/ARAMID/EAM       |
| 13 | 01182878 | 1 | fascia<br>H 3461 -F-13,0/8                           |
| 14 | 01118737 | 1 | oil seal 22 x 27<br>DIN 7603 -A22X27-CU              |
| 15 | 04505853 | 1 | pipe union<br>80 Nm                                  |
| 16 | 04504828 | 1 | support  |
| 18 | 01182878 | 1 | fascia<br>H 3461 -F-13,0/8                           |

Section: B0 - ENGINE

**KURBELGEHAEUSE**

| Fig. | P/n | QTY | Name |
|------|-----|-----|------|
|------|-----|-----|------|

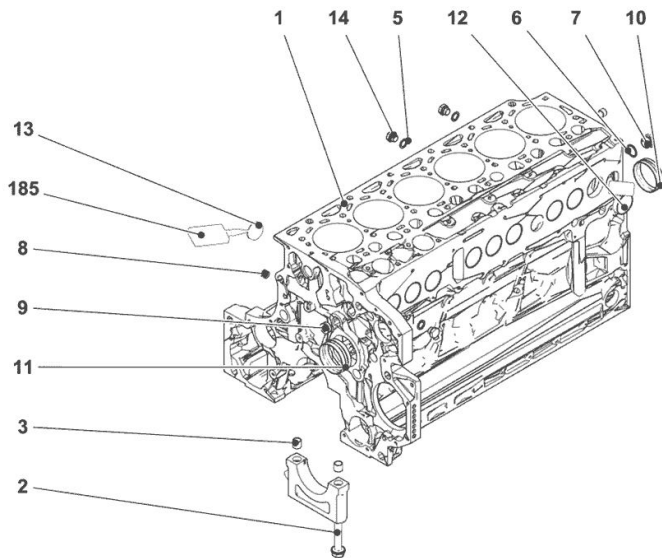
**Notes:**

[6140 Agrottron]

**Engine serial number:**

11425626 11428072 11428073 11428074 11443761 11443762 11443763 11479197 11479198 11484755 11484756  
 11519365 11519366 11519367 11519368 11519369 11519370 11519371 11519372 11519373 11519374 11526476  
 11526477 11526478 11526479 11526480 11526481 11527170 11527339 11527340 11527341 11527342 11527343  
 11527344 11527345 11527346 11527347 22000413 22000430 22000592 22000593 22000594 22000595

000



|     |          |    |   |
|-----|----------|----|---|
| 1   | 04600334 | 1  | crankcase<br>MIT POS....<br>(2,3,5-14)                  |
| 2   | 04254240 | 14 | screw<br>50 Nm , 90° , 90°                              |
| 3   | 04160764 | 14 | bushing   |
| 5   | 01148836 | 2  | oil seal<br>DIN 7603 -D14X20-CU-VERZINNT                |
| 6   | 01148863 | 1  | rubber plug<br>DIN 7603 -D22X27-CU-VERZINNT             |
| 7   | 04292706 | 1  | plug<br>80 Nm   |
| 8   | 01182031 | 2  | screw<br>35 Nm<br>H 2812 -906-M14X1,5-ST-A3C-LOCTITE506 |
| 9   | 04226536 | 1  | bottom<br>30 Nm   |
| 10  | 04507244 | 6  | bushing   |
| 11  | 04507765 | 1  | bushing   |
| 12  | 01148032 | 9  | cover<br>DIN 443 -A45-ZNPHR                             |
| 13  | 01148031 | 6  | plug<br>DIN 443 -A36-ZNPHR                              |
| 14  | 01100940 | 2  | screw<br>35 Nm<br>DIN 7604 -AM14X1,5-ST-A4C             |
| 185 | 01319910 | 1  | guard   |

**Buy Now**



Our support email:

[ebooklibonline@outlook.com](mailto:ebooklibonline@outlook.com)