

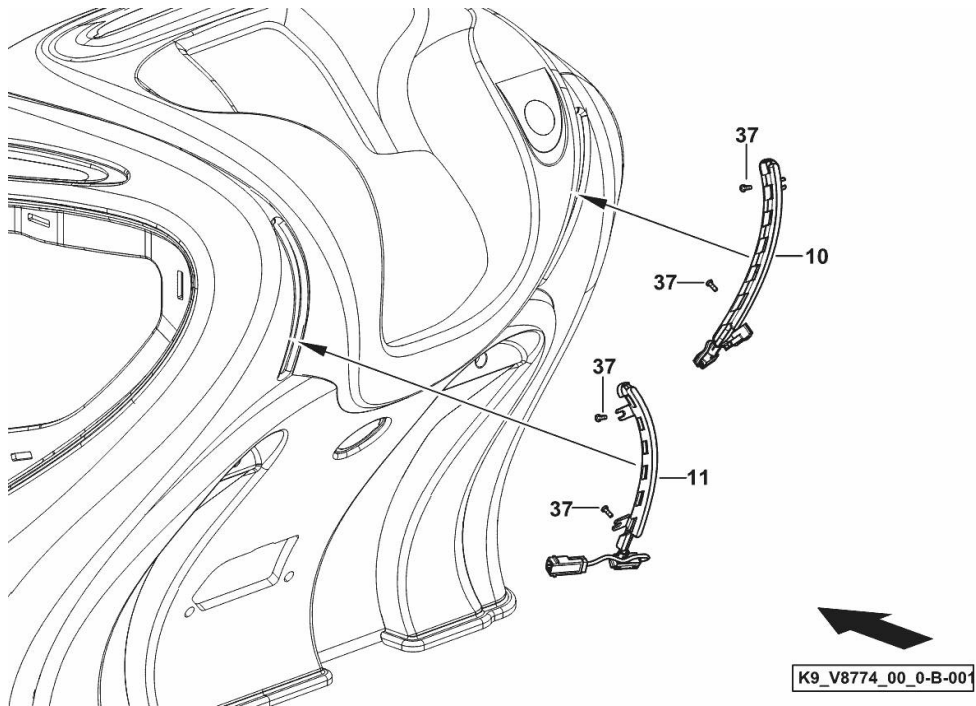
INTERIOR LIGHT

Fig.	P/n	QTY	Name
------	-----	-----	------

Notes:

FOR FIXED WINDSCREEN [6150.4 TTV Agrottron->WSXV750400LD50001]

10	0.019.0494.4/20	1	light dx/rh/re
11	0.019.0495.4/20	1	light sx/lh/li
37	2.0350.503.6	8	screw m 4.8 x 9.5



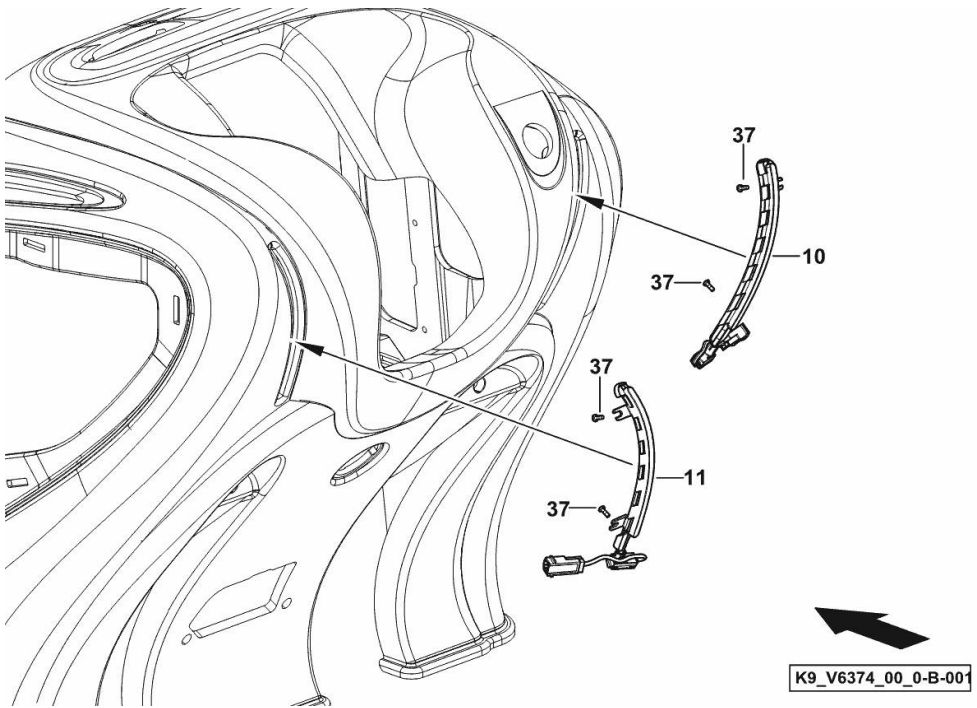
INTERIOR LIGHT

Fig.	P/n	QTY	Name
------	-----	-----	------

Notes:

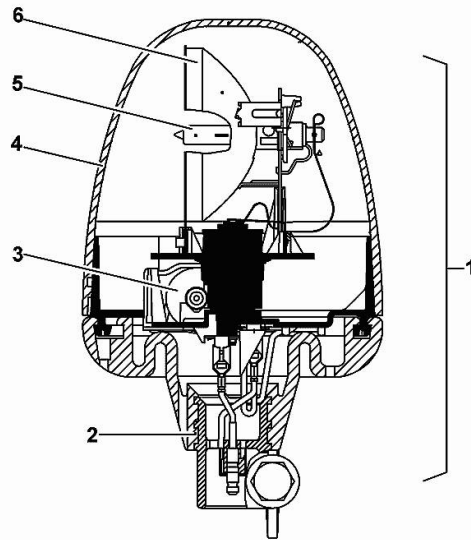
- FOR OPENING WINDSCREEN [6150.4 TTV Agrottron->WSXV750400LD50001]

10	0.019.0494.4/20	1	light dx/rh/re
11	0.019.0495.4/20	1	light sx/lh/li
37	2.0350.503.6	8	screw m 4.8 x 9.5



WARNING BEACON

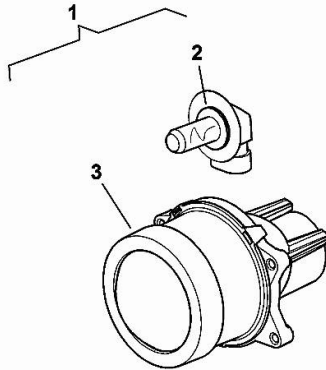
Fig.	P/n	QTY	Name
1	04414773	1	blinker
2	0.900.1267.7	1	support
3	0.900.1267.8	1	electric motor
4	0.900.1267.9	1	cap
5	0.900.1268.0	1	lamp
6	0.900.1268.1	1	reflector



04414773

HEADLAMP COMPONENTS

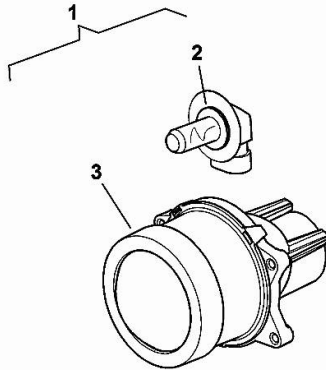
Fig.	P/n	QTY	Name
1	2.8039.004.0	1	headlight
2	0.900.1539.2	1	lamp
3	0.000.0000.1		cannot be supplied



2_8039_004_0

HEADLAMP COMPONENTS

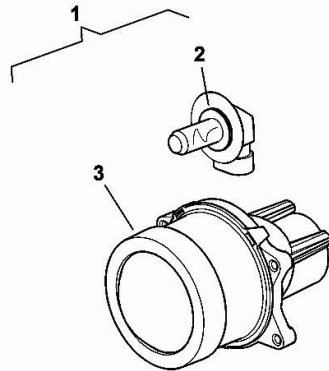
Fig.	P/n	QTY	Name
1	2.8039.005.0	1	headlight
2	0.900.1539.2	1	lamp
3	0.000.0000.1	1	cannot be supplied



2_8039_005_0

HEADLAMP COMPONENTS

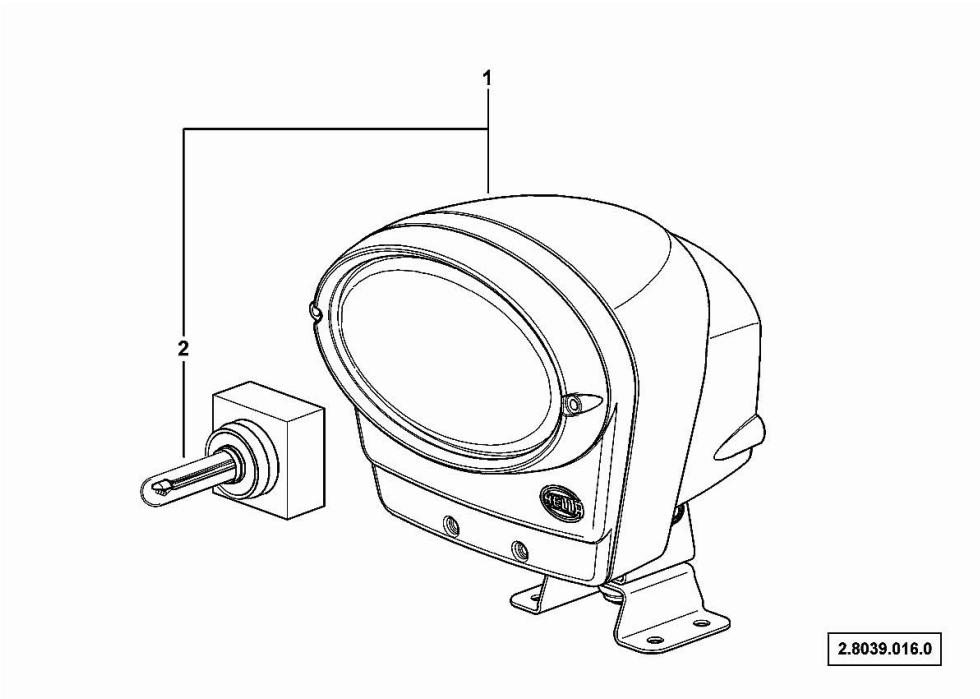
Fig.	P/n	QTY	Name
1	2.8039.008.0	1	headlight
2	0.900.1539.2	1	lamp
3	0.000.0000.1	1	cannot be supplied



2_8039_008_0

WORK LAMP W XENON

Fig.	P/n	QTY	Name
1	2.8039.016.0	1	headlight
2	0.900.1162.7	1	lamp



Buy Now



Our support email:

ebooklibonline@outlook.com