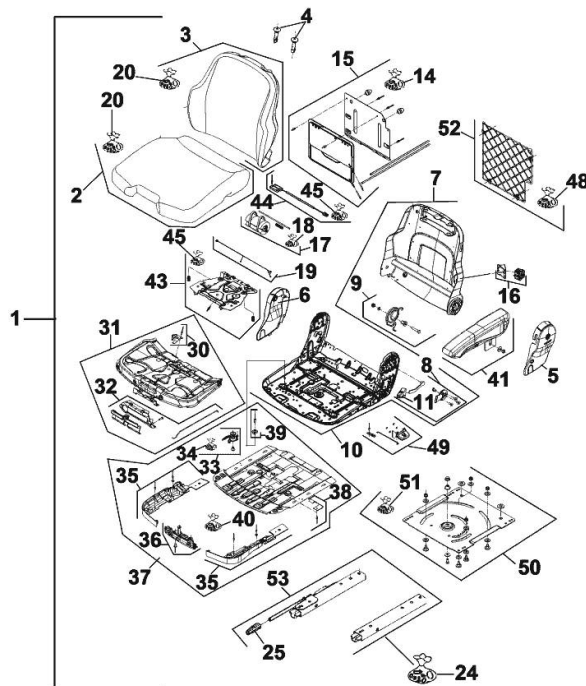


## SEATS

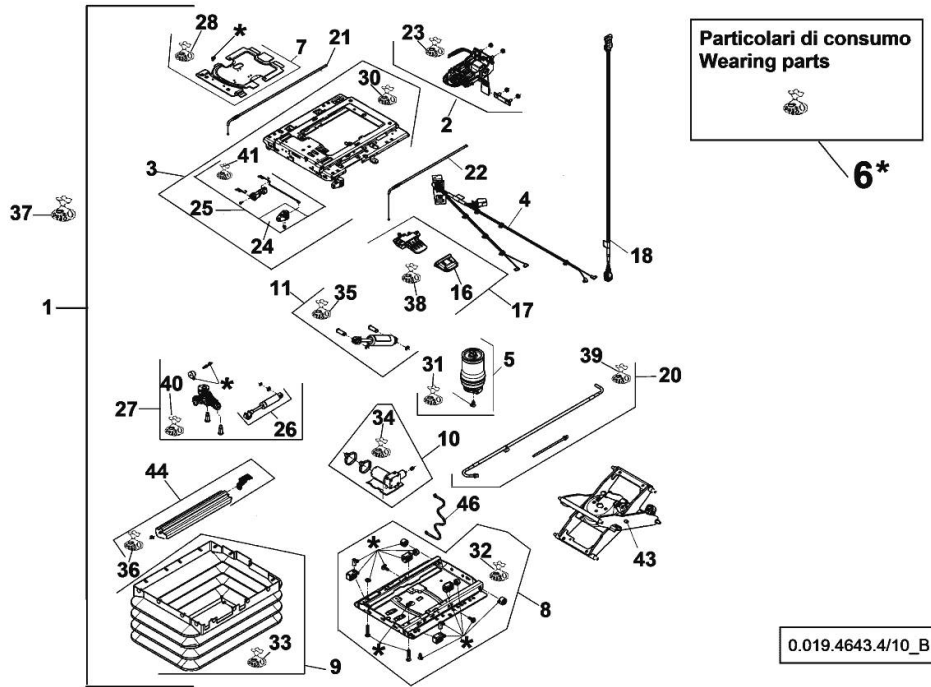


0.019.4643.4/10\_A

Fig.	P/n	QTY	Name
1	0.019.4643.4/10	1	driver's seat GRAMMER MSG95AL/731 DDS
2	0.900.2081.0	1	cushion
3	0.900.2070.6	1	backrest
4	0.900.1883.5	1	bushing
5	0.900.0133.4	1	cover
6	0.900.0130.6	1	cover
7	0.900.2079.7	1	backrest
8	0.900.1562.3	1	spare parts kit
9	0.900.1533.1	1	bearing dx/rh/re
10	0.900.2079.8	1	plate
11	0.900.1562.2	1	handle
14	0.900.1533.7	1	plate
15	0.900.2070.9	1	accessories
16	0.900.1534.0	1	body
17	0.900.1534.3	1	compressor
18	0.900.2071.1	1	spare parts kit
19	0.900.2079.9	1	electrical system
20	0.900.1883.8	1	accessories
24	0.900.1534.1	1	sub-assy parts
25	0.010.2943.2	1	knob
30	0.010.3070.0	1	plate
31	0.900.1623.1	1	plate
32	0.900.1533.3	1	small plate
33	0.010.3071.2	1	lever
34	0.900.2071.0	1	accessories
35	0.010.3069.0	1	hood
36	0.010.3069.1	1	console
37	0.900.2080.0	1	plate
38	0.900.1533.5	1	plate
39	0.900.1533.6	1	small plate
40	0.900.2070.8	1	accessories
41	0.900.0298.6	1	armrest sx/lh/li
43	0.900.1533.2	1	plate
44	0.900.1623.2	1	sensor
45	0.900.1563.0	1	spare parts kit
48	0.900.2080.1	1	spare parts kit
49	0.010.3074.0	1	handle
50	0.900.2075.9	1	support
51	0.900.2070.7	1	assembly kit
52	0.900.1420.2	1	net mesh
53	0.900.0371.4	1	seat guide

**SEAT-COMPONENTS**

Fig.	P/n	QTY	Name
1	0.900.2081.2	1	seat springs
2	0.900.2081.3	1	controls assembly
3	0.900.1534.8	1	plate
4	0.900.1534.9	1	electric cable
5	0.900.1535.0	1	shock absorber
6	0.900.1884.0	1	accessories
7	0.900.1534.6	1	cover
8	0.900.1535.2	1	plate
9	0.900.1535.3	1	bellows
10	0.900.1535.4	1	compressor
11	0.900.2081.4	1	shock absorber
16	0.010.3526.1	1	grip
17	0.010.2272.2	1	lever
18	0.900.2081.5	1	
20	0.900.1536.0	1	tube
21	0.900.1536.1	1	rod
22	0.900.1536.2	1	rod
23	0.900.2071.2	1	assembly kit
24	0.010.2077.2	1	knob
25	0.900.1536.3	1	controls assembly
26	0.900.1536.4	1	shock absorber
27	0.900.1536.5	1	body
28	0.900.1564.1	1	spare parts kit
30	0.900.1564.3	1	spare parts kit
31	0.900.1564.4	1	spare parts kit
32	0.900.1564.5	1	spare parts kit
33	0.900.1564.0	1	spare parts kit
34	0.900.1564.2	1	spare parts kit
35	0.900.1563.9	1	spare parts kit
36	0.900.2071.3	1	accessories
37	0.900.2081.6	1	assembly kit
38	0.900.1564.7	1	spare parts kit
39	0.900.1564.6	1	spare parts kit
40	0.900.1884.1	1	accessories
41	0.900.1884.2	1	accessories
43	0.000.0000.1		cannot be supplied
44	0.900.2080.4	1	spare parts kit

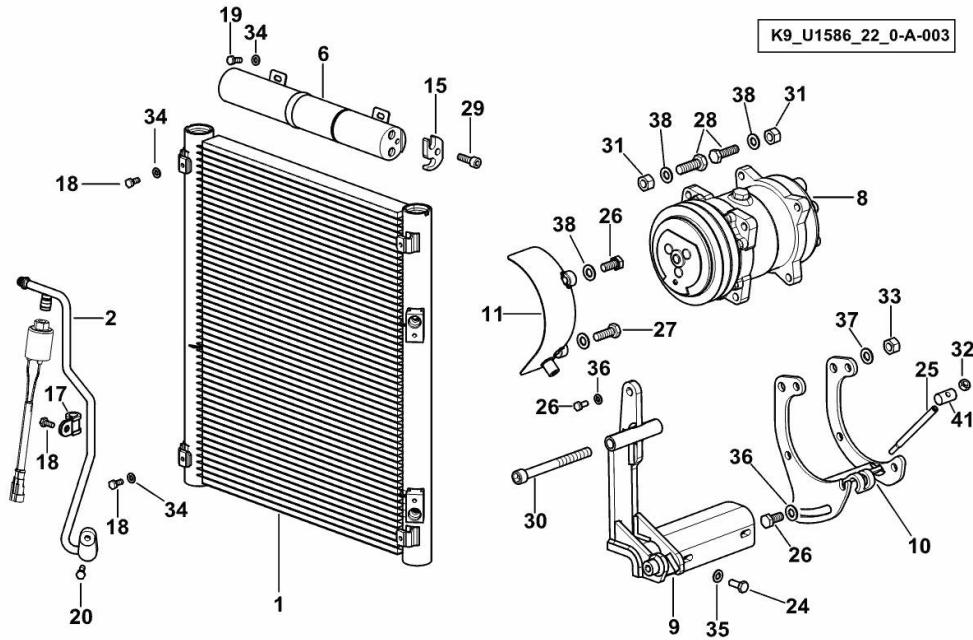


**AIR CONDITIONING SYSTEM**

Fig.	P/n	QTY	Name
------	-----	-----	------

**Notes:**

[6160 Agrottron P-CShift -> WSXAT10200LD50010]



1	0.018.6448.4	1	condenser
2	0.019.0231.3	1	tube
6	0.019.0794.4/10	1	filter
8	04437339/10	1	compressor R 134a ☞ 04437339/10
9	0.019.4852.2/20	1	bracket
10	0.020.1353.3	1	bracket
11	0.018.4240.2/20	1	guard
15	0.015.4226.0/20	1	spacer
17	2.6839.055.0	1	clamp Ø 11 / 20
18	2.0112.004.2	5	screw m 6 p.1 x 14
19	2.0112.005.2	2	screw m 6 p.1 x 16
20	2.0112.009.2	2	screw m 6 p.1 x 25
24	2.0112.207.2	4	screw m 8 p 1.25 x 20
25	2.0119.215.2	1	screw m 8 p.1.25 x 125
26	2.0112.308.2	4	screw m 10 p.1.5x22
27	2.0112.311.2	1	screw m 10 p.1.5 x 30
28	2.0112.313.2	4	screw m 10 p.1.5 x 35
29	2.0312.208.2	1	screw m 8 p.1.25 x 25
30	2.0319.038.2	1	screw m 12x125
31	2.1011.006.2	5	nut m 10 p.1.5
32	2.1011.105.2	1	nut m 8 p.1.25
33	2.1121.008.2	1	nut m 12
34	2.1310.002.2	9	flat washer 6.4x12.5
35	2.1310.004.2	4	flat washer 8.4x17
36	2.1310.006.2	3	flat washer 10.5x21
37	2.1310.007.2	2	flat washer 13 x 24
38	2.1475.003.2	6	washer 10
41	0.019.4856.0	1	small block

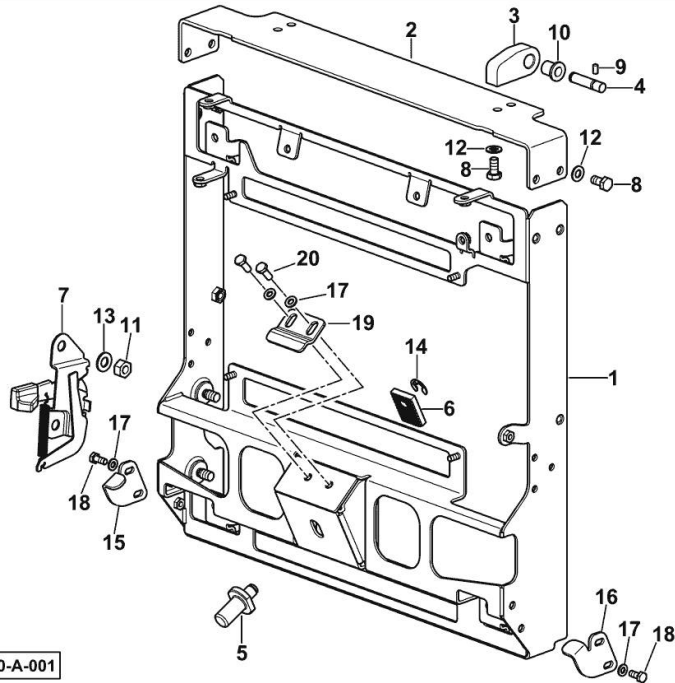
**AIR CONDITIONING RADIATOR SUPPORT**

Fig.	P/n	QTY	Name
------	-----	-----	------

**Notes:**

[6160 Agrottron P-CShift -&gt; WSXAT10200LD50010]

1	0.020.8616.4/30	1	chassis frame (-> 50010)
2	0.019.0998.0	1	bracket
3	0.019.0157.0/10	2	small block
4	0.019.0156.0	2	pin
5	0.018.4709.0/10	1	pin
6	0.015.5537.0/10	1	small plate
7	0.013.3609.4	1	lock
8	2.0112.205.2	8	screw m 8 p.1.25 x 16
9	2.0532.003.7	2	grub screw m 5x10
10	2.1559.147.0	2	bushing
11	2.1011.106.2	2	nut m 10 p.1.5
12	2.1310.004.2	8	flat washer 8.4x17
13	2.1310.006.2	2	flat washer 10.5x21
14	2.1430.011.7	1	circlip 10
15	0.020.3416.0	1	bracket dx/rh/re
16	0.020.3415.0	1	bracket sx/lh/li
17	2.1310.002.2	6	flat washer 6.4x12.5
18	2.0112.004.2	4	screw m 6 p.1 x 14
19	0.020.8619.0/10	1	bracket
20	2.0112.005.2	2	screw m 6 p.1 x 16



K9\_U4386\_23\_0-A-001

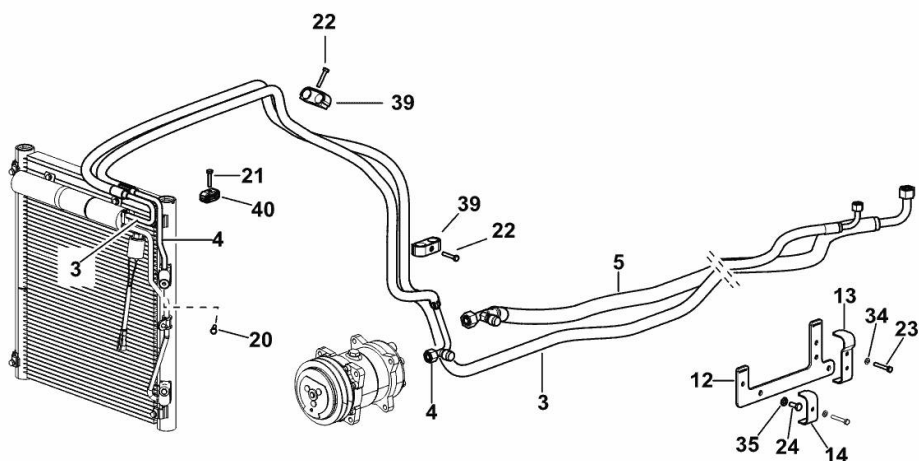
**AIR CONDITIONING SYSTEM**

Fig.	P/n	QTY	Name
------	-----	-----	------

**Notes:**

[6160 Agrottron P-CShift -&gt; WSXAT10200LD50010]

3	0.019.0232.3	1	tube
4	0.019.0233.3/10	1	tube
5	0.019.0297.3	1	tube
12	0.018.2972.3	1	bracket
13	0.017.6475.0	1	bracket
14	0.017.6474.0	1	bracket
20	2.0112.009.2	2	screw m 6 p.1 x 25
21	2.0112.011.2	1	screw m 6 p.1x30
22	2.0112.013.2	2	screw m 6 p.1 x 35
23	2.0112.015.2	3	screw m 6 p.1x40
24	2.0112.207.2	4	screw m 8 p 1.25 x 20
34	2.1310.002.2	9	flat washer 6.4x12.5
35	2.1310.004.2	4	flat washer 8.4x17
39	2.3320.321.0	2	terminal Ø 20/20
40	2.3321.007.0	1	collar Ø10/10



K9\_U1586\_22\_0-B-001

6160 Agrottron P-CShift -> WSXAT10200LD50010

Section: G0 - BODYWORK - CAB

Ref: G0.09.4 (2)

**HEATING - PIPES**

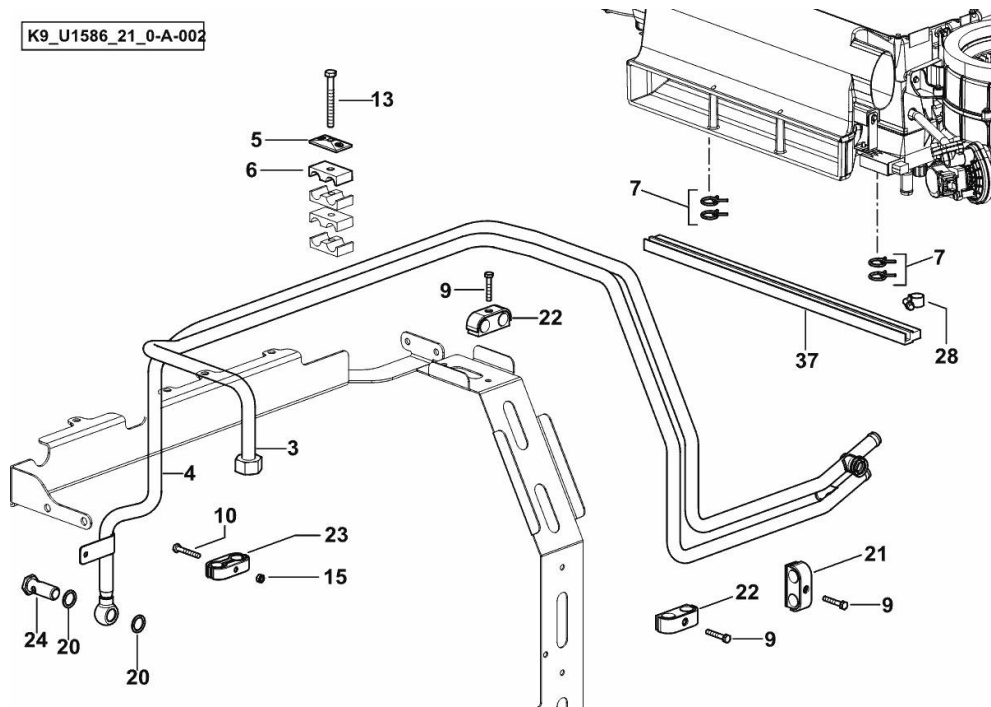
Fig.	P/n	QTY	Name
------	-----	-----	------

**Notes:**

[6160 Agrottron P-CShift -> WSXAT10200LD50010] 50443 <-

3	0.019.7073.3	1	tube
4	0.019.0771.3/10	1	tube
5	01175670	2	small plate
6	01178214	8	terminal
7	04429943	4	clamp
9	2.0112.013.2	3	screw m 6 p.1 x 35
10	2.0112.015.2	3	screw m 6 p.1x40
13	2.0112.224.2	2	screw m 8 p.1.25x75
15	2.1011.103.2	1	nut m 6 p.1
20	2.1560.014.0	2	washer 18.2 x 24
21	2.3320.219.0	1	terminal
22	2.3320.319.0	2	terminal
23	2.3321.023.0	1	terminal
24	2.3335.055.2	1	pipe union m 18 p.1.5
28	2.6851.001.0	1	clamp Ø 16/25
37	04419141	1	gasket

K9\_U1586\_21\_0-A-002



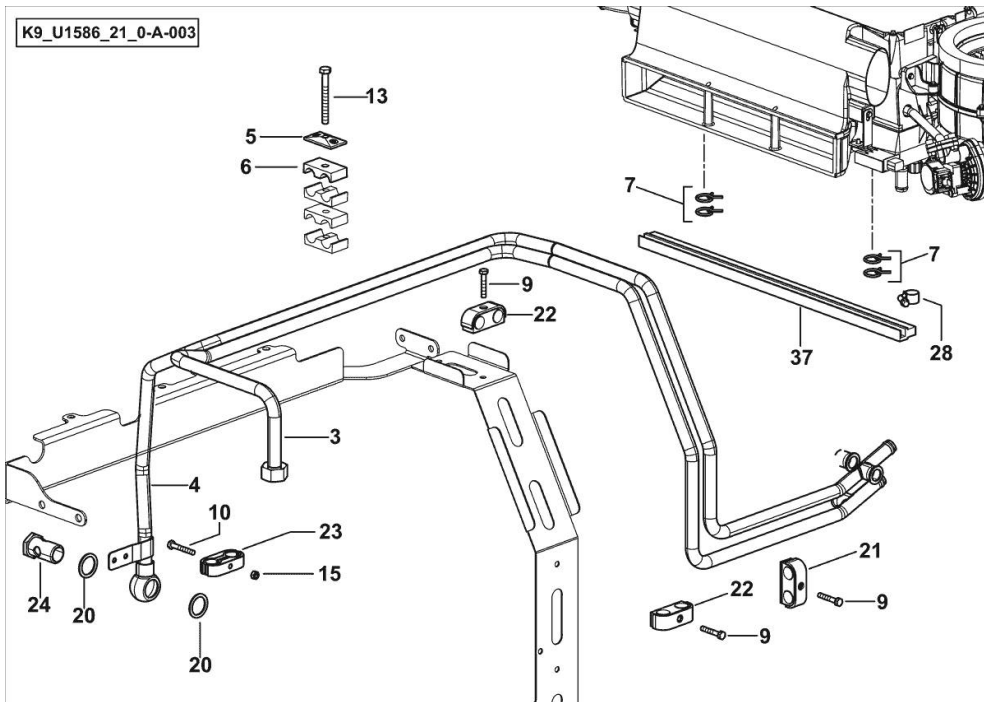
**HEATING - PIPES**

Fig.	P/n	QTY	Name
------	-----	-----	------

**Notes:**

[6160 Agrottron P-CShift -> WSXAT10200LD50010] -> 50449

3	0.019.7073.3	1	tube
4	0.023.2692.3/10	1	tube
5	01175670	2	small plate
6	01178214	8	terminal
7	04429943	4	clamp
9	2.0112.013.2	3	screw m 6 p.1 x 35
10	2.0112.015.2	3	screw m 6 p.1x40
13	2.0112.224.2	2	screw m 8 p.1.25x75
15	2.1011.103.2	1	nut m 6 p.1
20	2.1569.068.0	2	gasket 26.3x34
21	2.3320.219.0	1	terminal
22	2.3320.319.0	2	terminal
23	2.3321.023.0	1	terminal
24	2.3335.010.2	1	pipe union m 26x1.5
28	2.6851.001.0	1	clamp Ø 16/25
37	04419141	0.5	gasket



**Buy Now**



Our support email:

[ebooklibonline@outlook.com](mailto:ebooklibonline@outlook.com)