

6160.4 Agrottron -> WSXAN90200LD50010

Section: G0 - BODYWORK - CAB

Ref: G0.16.1 (2)

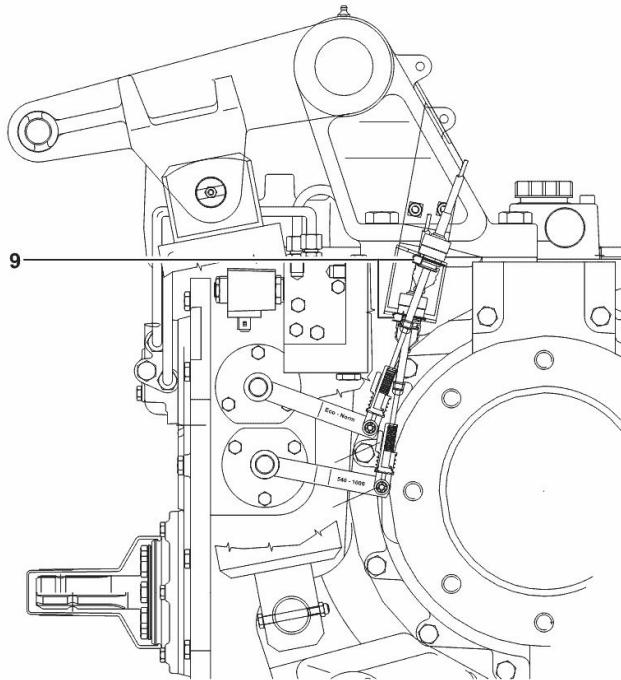
**OPERATION - P.T.O. SHAFT - REAR**

Fig.	P/n	QTY	Name
------	-----	-----	------

**Notes:**

[6160.4 Agrottron -> WSXAN90200LD50010]

9	04418159	4	circlip
---	----------	---	---------



K9\_95368\_08\_0-A-002

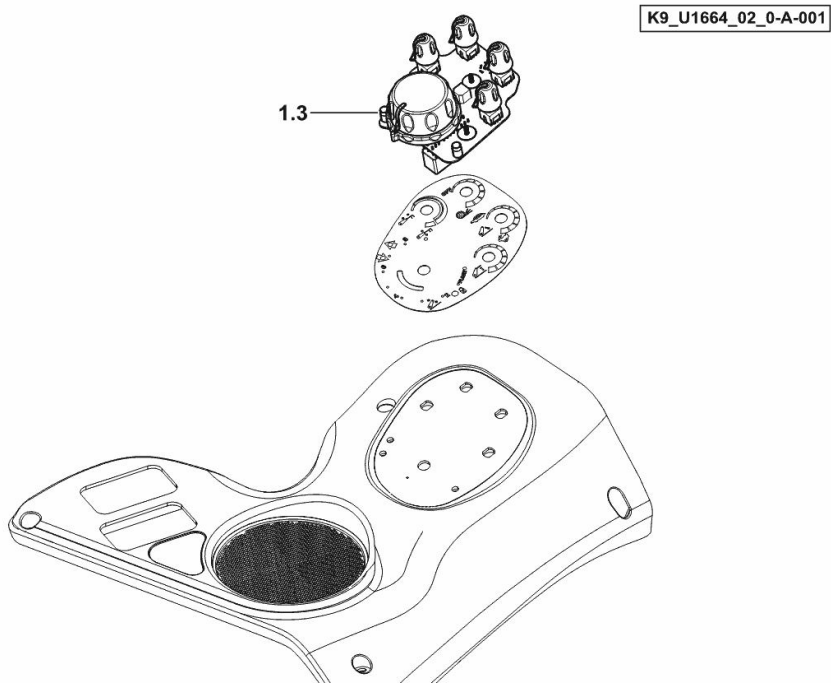
**REAR LIFT CONTROL**

Fig.	P/n	QTY	Name
------	-----	-----	------

**Notes:**

- FOR TYPES WITH 4-WAY AUXILIARY SERVICES CONTROL VALVE [6160.4 Agrottron -> WSXAN90200LD50010]

1.3	0.017.6115.4	1	control
-----	--------------	---	---------



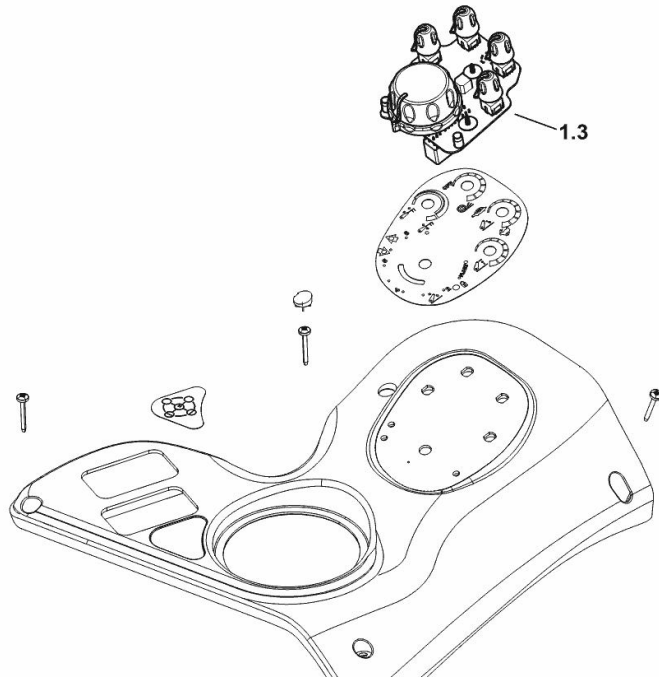
**REAR LIFT CONTROL**

Fig.	P/n	QTY	Name
------	-----	-----	------

**Notes:**

- FOR TYPES WITH 8-WAY AUXILIARY SERVICES CONTROL VALVE [6160.4 Agrottron -> WSXAN90200LD50010]

1.3	0.017.6115.4	1	control
-----	--------------	---	---------



K9\_U2764\_03\_0-B-001

6160.4 Agrottron -> WSXAN90200LD50010

Section: G0 - BODYWORK - CAB

Ref: G0.18.1 (1)

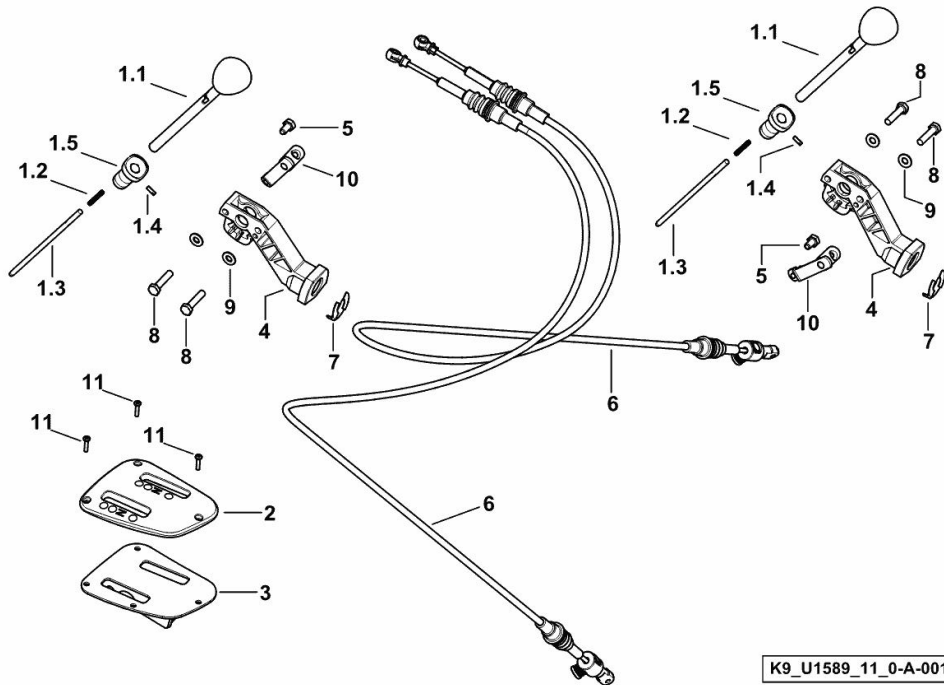
**DISTRIBUTOR CONTROL**

Fig.	P/n	QTY	Name
------	-----	-----	------

**Notes:**

[6160.4 Agrottron -> WSXAN90200LD50010]

1.1	04423023.4	2	lever
1.2	04426194	2	spring
1.3	04425215	2	rod
1.4	01144807	2	screw
1.5	04411645	2	coupling
2	0.019.4149.0	1	front grille
3	0.015.7672.3	1	plate
4	04425445/10	2	support
5	04423712	2	screw
6	0.016.2061.3	2	rod
7	04418159	2	circlip
8	2.0114.213.2	4	screw m 8 x 35
9	01138374	4	washer 8,4x21x4
10	04423032.4	2	lever
11	04424184	3	screw



K9\_U1589\_11\_0-A-001

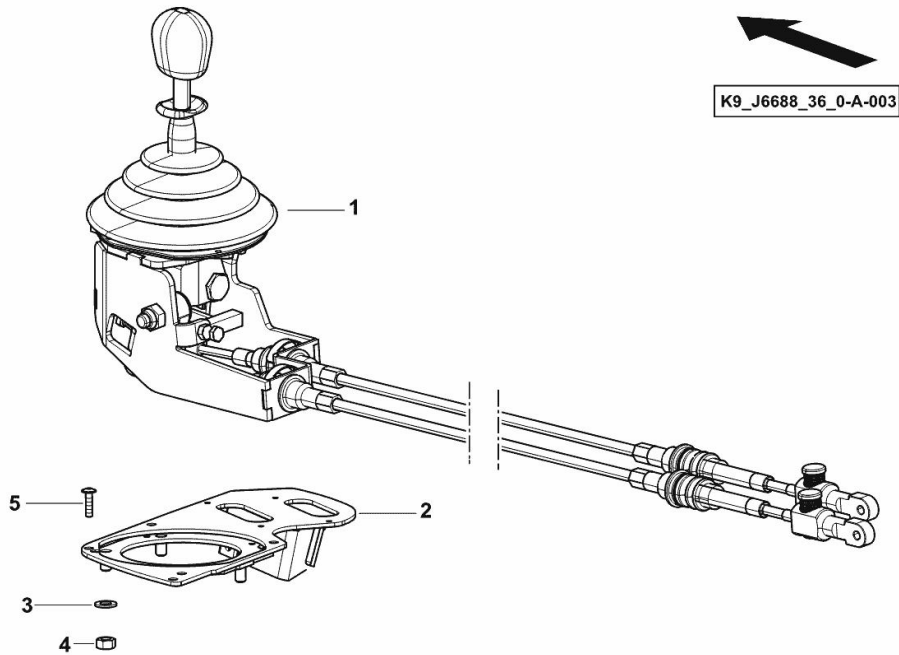
**REMOTE VALVE CROSS-GATE CONTROL**

Fig.	P/n	QTY	Name
------	-----	-----	------

**Notes:**

[6160.4 Agrottron -> WSXAN90200LD50010]

1	0.017.6491.4	1	operation ☞ 0.017.6491.4
2	0.015.7735.4/10	1	plate
3	2.1310.004.2	3	flat washer 8.4x17
4	2.1011.105.2	3	nut m 8 p.1.25
5	04412976	4	screw 4.8x19



6160.4 Agrottron -> WSXAN90200LD50010

Section: G0 - BODYWORK - CAB

Ref: G0.18.3 (1)

**FLOW CONTROL**

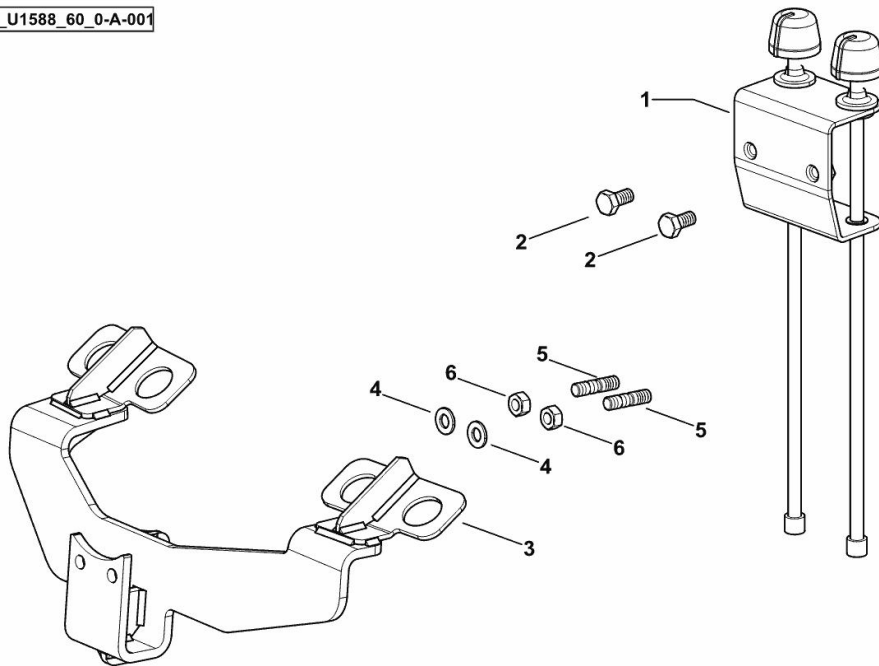
Fig.	P/n	QTY	Name
------	-----	-----	------

**Notes:**

[6160.4 Agrottron -> WSXAN90200LD50010]

1	0.019.1804.4	1	regulator
2	2.0112.205.2	2	screw m 8 p.1.25 x 16
3	0.018.8982.3/20	1	bracket
4	2.1310.004.2	2	flat washer 8.4x17
5	2.0422.203.2	2	stud bolt m 8 x 20
6	2.0112.206.2	2	screw m 8 p.1.25 x 18

K9\_U1588\_60\_0-A-001



6160.4 Agrottron -> WSXAN90200LD50010

Section: G0 - BODYWORK - CAB

Ref: G0.18.4 (1)

**FLOW CONTROL**

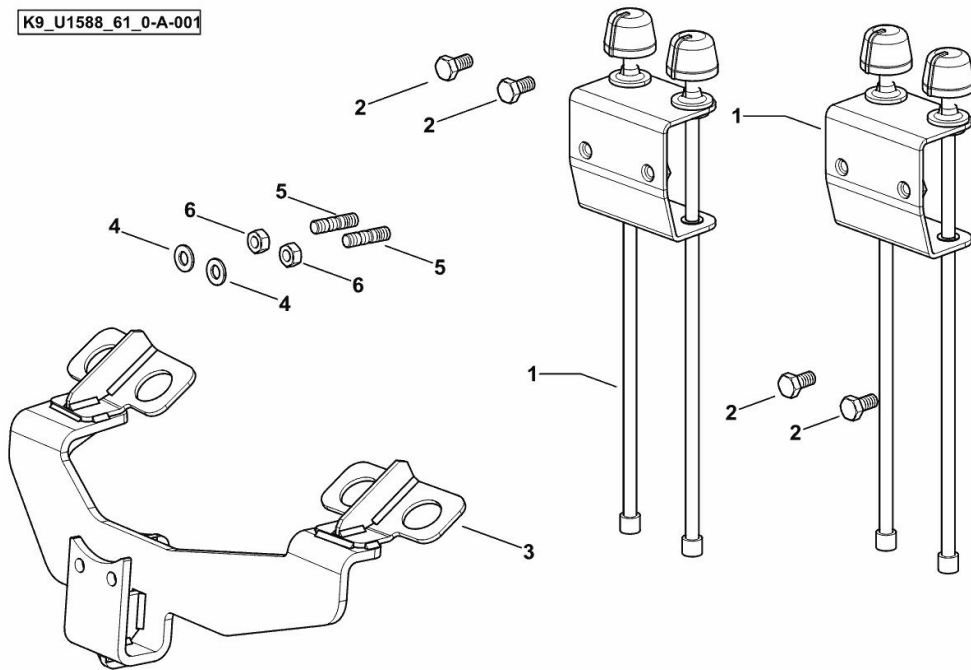
Fig.	P/n	QTY	Name
------	-----	-----	------

**Notes:**

[6160.4 Agrottron -> WSXAN90200LD50010]

1	0.019.1804.4	2	regulator
2	2.0112.205.2	4	screw m 8 p.1.25 x 16
3	0.018.8982.3/20	1	bracket
4	2.1310.004.2	2	flat washer 8.4x17
5	2.0422.203.2	2	stud bolt m 8 x 20
6	2.0112.206.2	2	screw m 8 p.1.25 x 18

K9\_U1588\_61\_0-A-001



**Buy Now**



Our support email:

[ebooklibonline@outlook.com](mailto:ebooklibonline@outlook.com)