

6210 Agrottron P-CShift ->WSXAZ60200LD50010

Section: B0 - ENGINE

Ref: B0.00.5 (1)

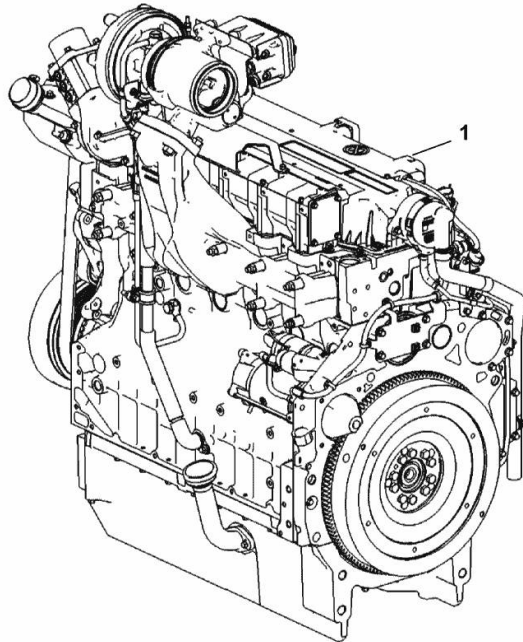
ENGINE

Fig.	P/n	QTY	Name
------	-----	-----	------

Notes:

- EXPORT U.S.A. [6210 Agrottron P-CShift ->WSXAZ60200LD50010]

1	25010765	1	engine ON ORDERING PLEASE ENGINE NO. REQUIRED
---	----------	---	---



K9_IC419_02_0-A-001

6210 Agrottron P-CShift ->WSXAZ60200LD50010

Section: B0 - ENGINE

Ref: B0.01.0

FASTENINGS

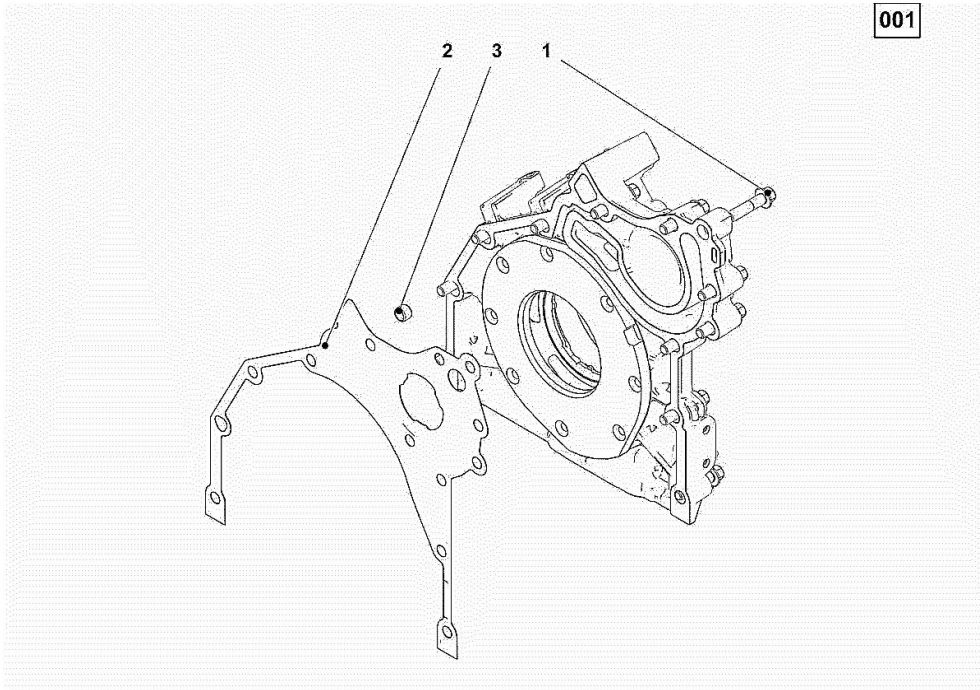
Fig.	P/n	QTY	Name
------	-----	-----	------

Notes:

[6210 Agrottron P-CShift ->WSXAZ60200LD50010]

Engine serial number:

11474644 11480415 11480456 11481638 11485368 11488437 11488470 11491564



1	01143362	12	screw 5 Nm, 30 Nm. consult workshop manual EN 1662 -F-M8X35-10.9-A4C
2	04504325	1	gasket
3	01181406	1	bushing H 2341 -B11X8-FE/ZN12C*

6210 Agrottron P-CShift ->WSXAZ60200LD50010

Section: B0 - ENGINE

Ref: B0.01.2

SERIE GUARNIZIONI

Fig.	P/n	QTY	Name
------	-----	-----	------

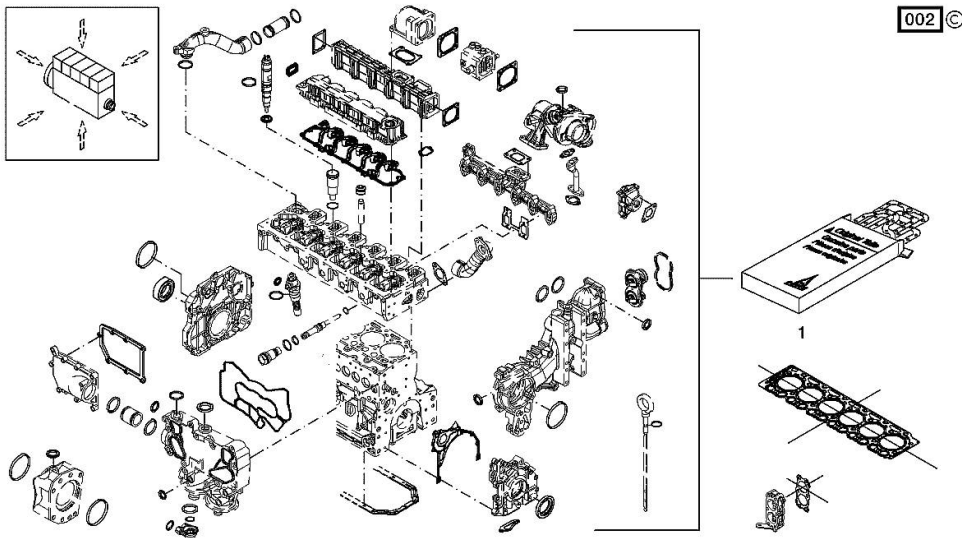
Notes:

[6210 Agrottron P-CShift ->WSXAZ60200LD50010]

Engine serial number:

11474644 11480415 11480456 11481638 11485368 11488437 11488470 11491564

1	02937844	1	gasket set THE KIT DOES NOT CONTAIN ALL THE GASKETS: SEE SM 0199-99-9449
---	----------	---	--



BLEEDING TUBE

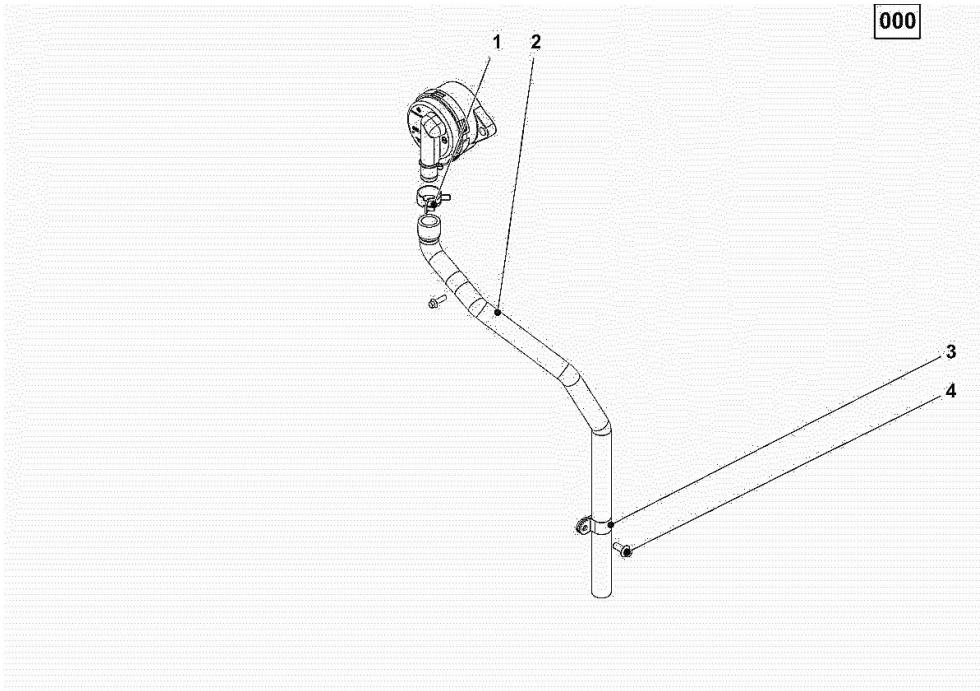
Fig.	P/n	QTY	Name
------	-----	-----	------

Notes:

[6210 Agrottron P-CShift ->WSXAZ60200LD50010]

Engine serial number:

11474644 11480415 11480456 11481638 11485368 11488437 11488470 11491564



1	01178750	1	clamp DIN 3021 -A-29X15
2	04504657	1	tube
3	01173523	2	fascia DIN 3016 -1-A1-25X20-W1-2
4	01181433	1	screw 20 Nm EN 1662 -F-M8X20-LG2,5-10.9-ZNAL-A

6210 Agrottron P-CShift ->WSXAZ60200LD50010

Section: B0 - ENGINE

Ref: B0.01.5

CRANKCASE BREATHER

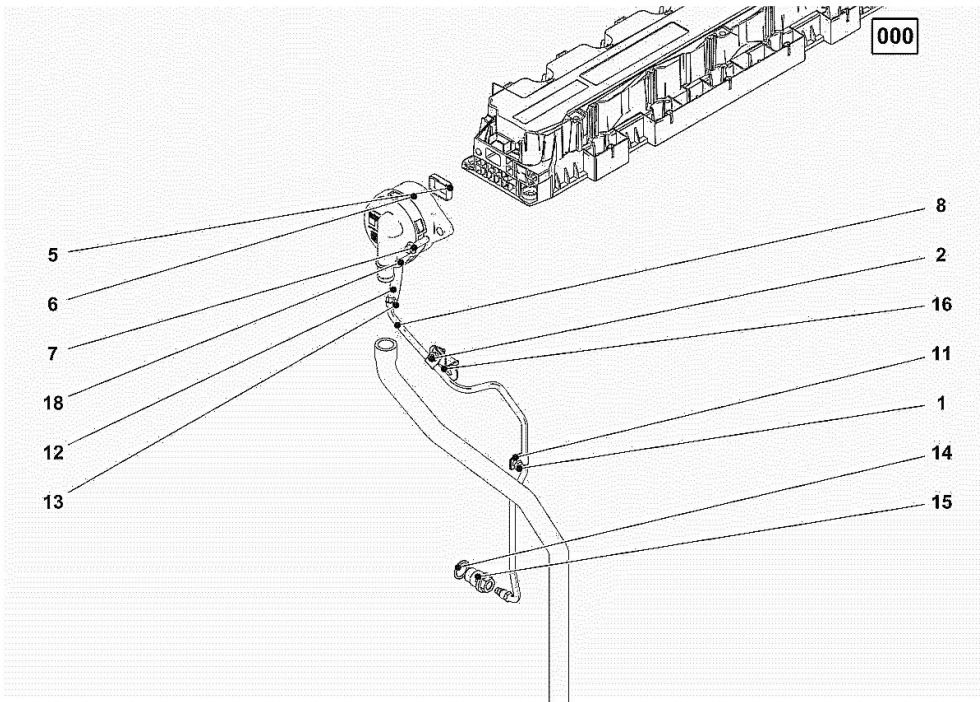
Fig.	P/n	QTY	Name
------	-----	-----	------

Notes:

[6210 Agrottron P-CShift ->WSXAZ60200LD50010]

Engine serial number:

11474644 11480415 11480456 11481638 11485368 11488437 11488470 11491564



1	01181442	1	screw m6x12 13 Nm EN 1662 -F-M6X12-10.9-ZNAL-A
2	01181433	1	screw 13 Nm EN 1662 -F-M8X20-LG2,5-10.9-ZNAL-A
5	04298547	1	rubber plug
6	04905110	1	breather WITH POS.... (5)
7	01181432	2	screw m8x30 21 Nm EN 1662 -F-M8X30-10.9-ZNAL-A
8	04504866	1	tube WITH POS.... 11-13 20 Nm
11	02144961	2	fascia
12	04291246	1	rubber tube H 3407 -F8X14X72-EAM/ARAMID/EAM
13	01182878	1	fascia H 3461 -F-13,0/8
14	01118737	1	oil seal 22 x 27 DIN 7603 -A22X27-CU
15	04505853	1	pipe union 80 Nm
16	04504828	1	support
18	01182878	1	fascia H 3461 -F-13,0/8

6210 Agrottron P-CShift ->WSXAZ60200LD50010

Section: B0 - ENGINE

Ref: B0.01.6

KURBELGEHAEUSE

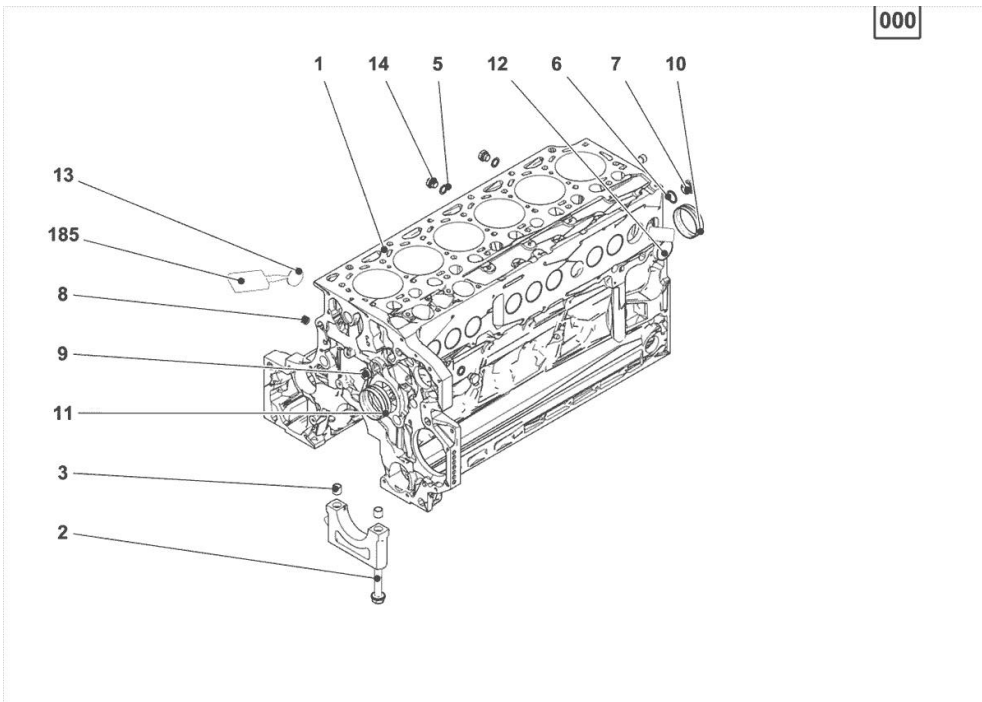
Fig.	P/n	QTY	Name
------	-----	-----	------

Notes:

[6210 Agrottron P-CShift ->WSXAZ60200LD50010]

Engine serial number:

11474644 11480415 11480456 11481638 11485368 11488437 11488470 11491564



1	04600334	1	crankcase MIT POS.... (2,3,5-14)
2	04254240	14	screw 50 Nm , 90° , 90°
3	04160764	14	bushing
5	01148836	2	oil seal DIN 7603 -D14X20-CU-VERZINNT
6	01148863	1	rubber plug DIN 7603 -D22X27-CU-VERZINNT
7	04292706	1	plug 80 Nm
8	01182031	2	screw 35 Nm H 2812 -906-M14X1,5-ST-A3C-LOCTITE506
9	04226536	1	bottom 30 Nm
10	04507244	6	bushing
11	04507765	1	bushing
12	01148032	9	cover DIN 443 -A45-ZNPHR
13	01148031	6	plug DIN 443 -A36-ZNPHR
14	01100940	2	screw 35 Nm DIN 7604 -AM14X1,5-ST-A4C
185	01319910	1	guard

ACCESSORIES

Fig.	P/n	QTY	Name
------	-----	-----	------

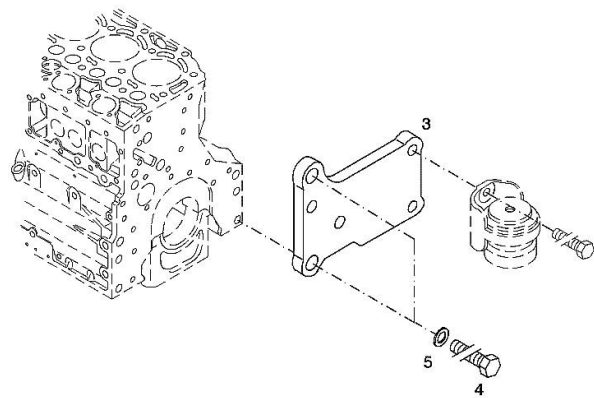
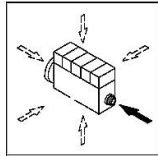
Notes:

[6210 Agrottron P-CShift ->WSXAZ60200LD50010]

Engine serial number:

11474644 11480415 11480456 11481638 11485368 11488437 11488470 11491564

3	04288659	1	support
4	01148261	2	screw ISO 4017 -M16X40-10.9-ZNAL-A
5	01181400	2	washer H 2308 -18X25X1,5-A4C



Buy Now



Our support email:

ebooklibonline@outlook.com