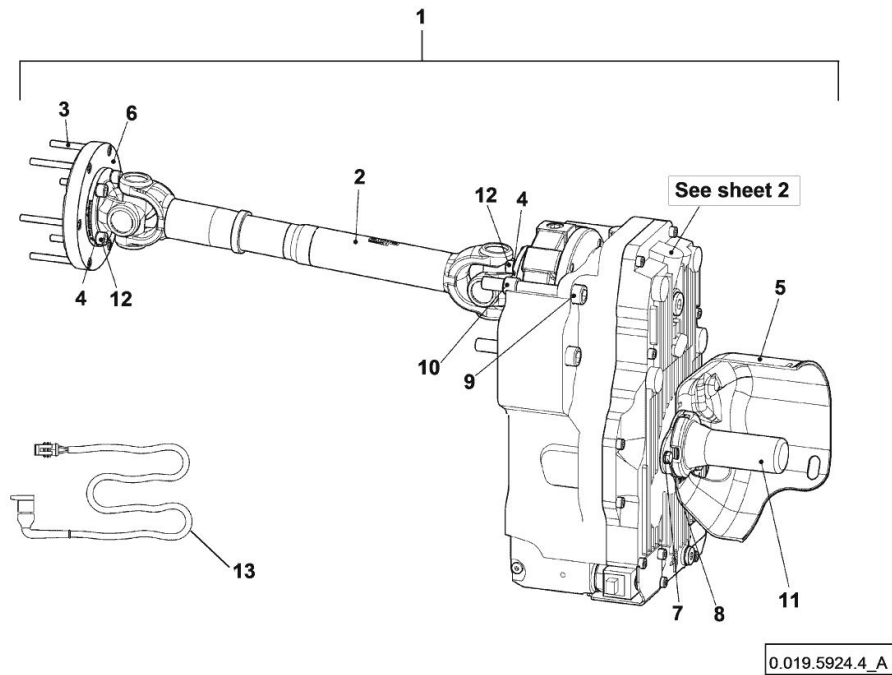


P.T.O. FRONT

Fig.	P/n	QTY	Name
1	0.019.5924.4	1	power take off
2	0.900.2041.2	1	shaft
3	0.900.1194.8	6	screw
4	0.900.0902.9	8	washer
5	0.900.1988.3	1	guard
6	0.900.2041.3	1	flange
7	0.900.1992.4	2	washer Ø 8.4x24x2
8	0.010.3040.0	2	screw m 8 p.1.25 x 20
9	0.900.1988.4	4	screw M16X120 din 912
10	0.900.0809.3	2	bushing 16x22x18
11	0.900.0815.2	1	small cover
12	0.900.0902.8	8	screw m 10 x 20
13	0.900.0816.0	1	electric cable



P.T.O. FRONT

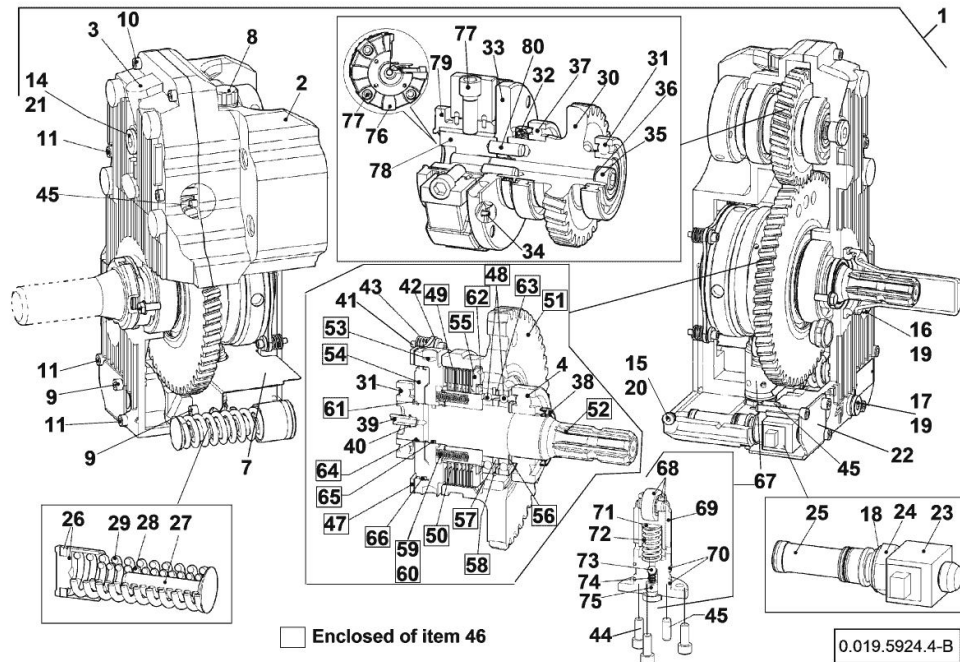


Fig.	P/n	QTY	Name
1	0.900.2042.1	1	complete box
2	0.900.2041.6	1	box
3	0.900.1988.7	1	cover
4	0.900.0819.6	1	bearing
7	0.900.1988.9	1	bracket
8	0.900.2041.5	1	valve
9	0.900.1989.0	2	screw m8x12 din 912
10	0.900.0968.7	6	screw
11	0.900.1989.1	6	screw m8x55 din912
14	0.900.1989.2	1	plug
15	0.900.0814.5	1	plug M10 x 1.0 - 5.8
16	0.900.0824.2	1	plug m 18 p.1.5
17	0.900.0823.8	1	plug m 18 p.1.5
18	0.900.0814.0	1	ring DIN 7603 - 30x36x2
19	0.900.0823.9	2	ring 18x24x1.5
20	0.900.1989.3	1	ring 10x14x1
21	0.900.1989.4	1	ring 34x30x2
22	0.900.1989.5	1	guard
23	0.900.0813.8	1	magnet
24	0.900.0813.9	1	solenoid valve
25	0.900.0814.1	1	filter
26	0.900.0820.7	1	piston
27	0.900.0820.8	1	pin
28	0.900.0820.9	1	spring 5.5x20x100
29	0.900.0821.0	1	spring 6x33x140
30	0.900.1990.7	1	pinion
31	0.900.0819.4	2	bearing
32	0.900.1989.7	1	oil seal 60x80x10
33	0.900.2041.7	1	flange
34	0.900.0813.3	4	pin DIN 1481 - 4 x 12
35	0.900.2041.8	1	screw
36	0.900.1990.1	1	gasket
37	0.900.1989.6	1	bearing
38	0.900.0819.7	1	ring 45x60x7
39	0.900.0819.8	1	tube
40	0.900.0819.9	1	gasket 10x2
41	0.900.0820.0	4	screw m6x30
42	0.900.0820.1	4	washer 6,4x17x3
43	0.900.0820.2	4	spring 1.6 x 15.4 x 28.7
44	0.900.0820.5	3	screw m 8 x 20
45	0.900.0820.6	3	pin 8x20
46	0.900.1990.6	1	hydraulic PTO clutch
47	0.900.0814.6	1	ring
48	0.900.0814.7	2	ring

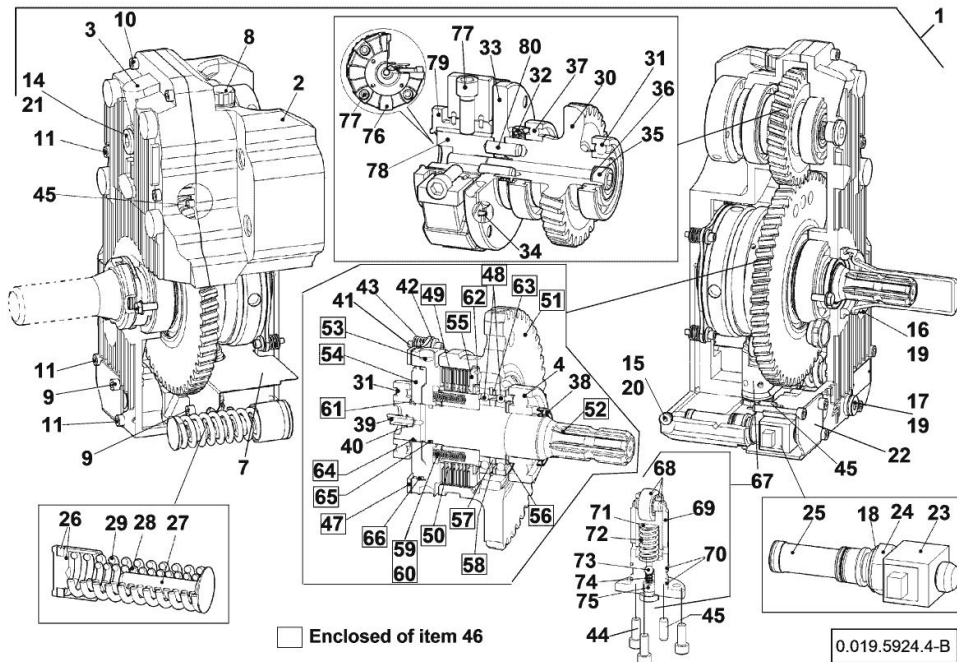
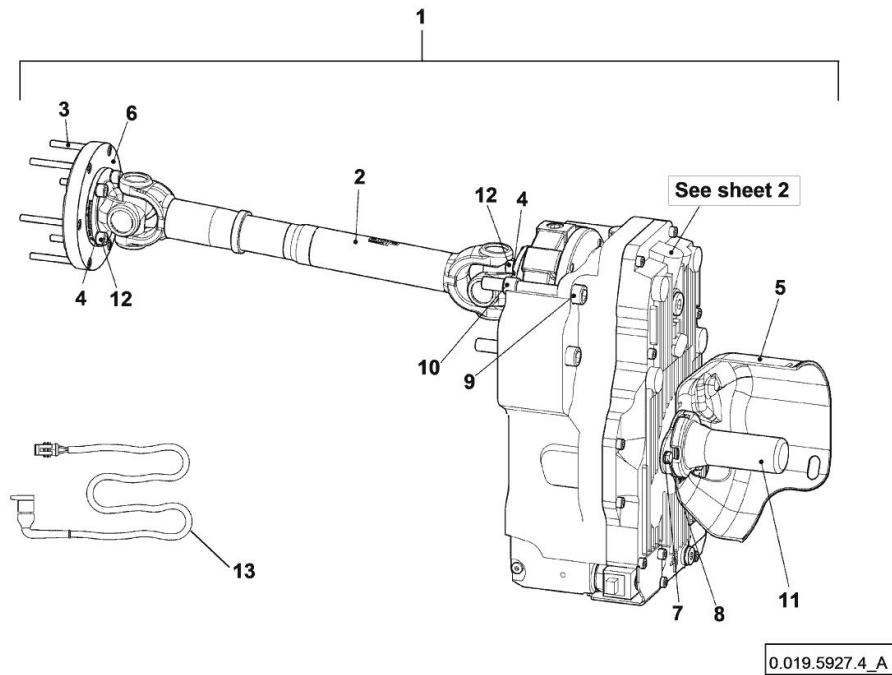
P.T.O. FRONT

Fig.	P/n	QTY	Name
49	0.900.0814.8	8	plug m 18 x 1,5
50	0.900.0814.9	7	ring
51	0.900.1992.5	1	crown wheel
52	0.900.0815.1	1	shaft
53	0.900.0815.7	1	piston
54	0.900.0815.8	1	cylinder
55	0.900.0816.1	1	washer
56	0.900.0816.2	1	washer
57	0.900.0816.3	1	washer
58	0.900.0816.4	1	washer
59	0.900.0816.5	6	spring 1.8x9.1x40.5
60	0.900.0816.6	6	spring 1x5.1x41.3
61	0.900.0816.7	1	ring 40 x 1.75
62	0.900.0816.8	1	ring 80 x 2.5
63	0.900.0816.9	1	ring 90x3
64	0.900.0817.0	1	ring 35x2
65	0.900.0817.5	1	gasket
66	0.900.0817.6	1	gasket
67	0.900.1990.4	1	small piston
68	0.900.0838.7	1	piston
69	0.900.0817.9	1	screw M16 x 90 - 8.8
70	0.900.0818.3	2	joint 32x2.5
71	0.900.0818.9	1	piston
72	0.900.0819.0	1	spring 2.6x15.9x41
73	0.900.0819.1	1	ball Ø 8
74	0.900.0819.2	1	spring 0.63x6.3x17
75	0.900.0819.3	1	screw
76	0.010.3044.1	1	flex coupling
77	0.010.3045.0	8	screw m14 x 40
78	0.900.2041.9	1	pin
79	0.900.2042.0	1	flange
80	0.900.1989.9	3	cylindrical plug 12x36

P.T.O. FRONT

Fig.	P/n	QTY	Name
1	0.019.5927.4	1	power take off
2	0.900.2041.2	1	shaft
3	0.900.1194.8	6	screw
4	0.900.0902.9	8	washer
5	0.900.1988.3	1	guard
6	0.900.2041.3	1	flange
7	0.900.1992.4	2	washer Ø 8.4x24x2
8	0.010.3040.0	2	screw m 8 p.1.25 x 20
9	0.900.1988.4	4	screw M16X120 din 912
10	0.900.0809.3	2	bushing 16x22x18
11	0.900.0815.2	1	small cover
12	0.900.0902.8	8	screw m 10 x 20
13	0.900.0816.0	1	electric cable



P.T.O. FRONT

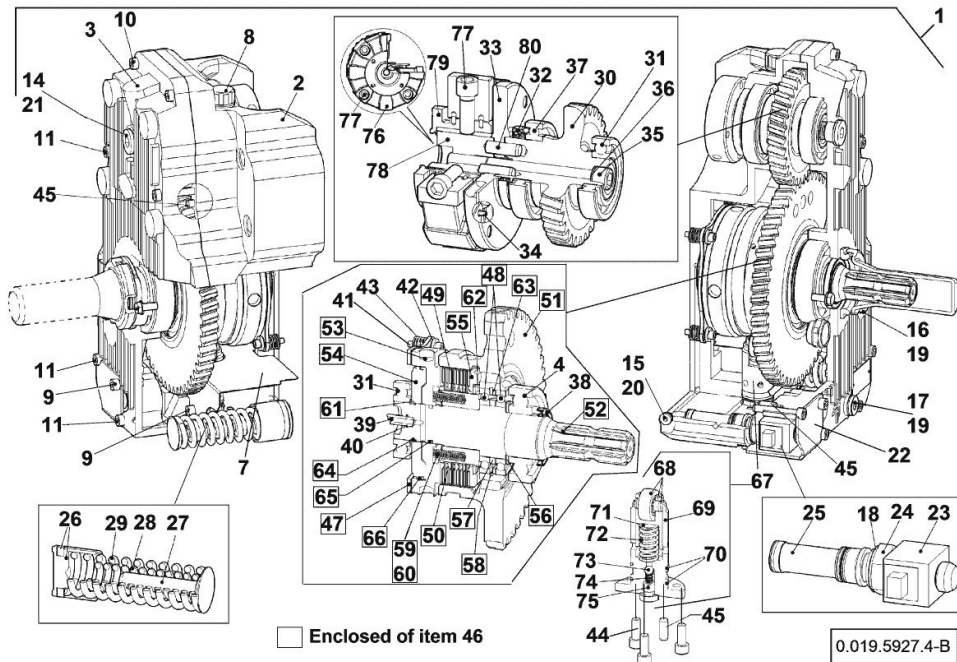


Fig.	P/n	QTY	Name
1	0.900.2041.4	1	complete box
2	0.900.2041.6	1	box
3	0.900.1988.7	1	cover
4	0.900.0819.6	1	bearing
7	0.900.1988.9	1	bracket
8	0.900.2041.5	1	valve
9	0.900.1989.0	2	screw m8x12 din 912
10	0.900.0968.7	6	screw
11	0.900.1989.1	6	screw m8x55 din912
14	0.900.1989.2	1	plug
15	0.900.0814.5	1	plug M10 x 1.0 - 5.8
16	0.900.0824.2	1	plug m 18 p.1.5
17	0.900.0823.8	1	plug m 18 p.1.5
18	0.900.0814.0	1	ring DIN 7603 - 30x36x2
19	0.900.0823.9	2	ring 18x24x1.5
20	0.900.1989.3	1	ring 10x14x1
21	0.900.1989.4	1	ring 34x30x2
22	0.900.1989.5	1	guard
23	0.900.0813.8	1	magnet
24	0.900.0813.9	1	solenoid valve
25	0.900.0814.1	1	filter
26	0.900.0820.7	1	piston
27	0.900.0820.8	1	pin
28	0.900.0820.9	1	spring 5.5x20x100
29	0.900.0821.0	1	spring 6x33x140
30	0.900.1988.8	1	pinion
31	0.900.0819.4	2	bearing
32	0.900.1989.7	1	oil seal 60x80x10
33	0.900.2041.7	1	flange
34	0.900.0813.3	4	pin DIN 1481 - 4 x 12
35	0.900.2041.8	1	screw
36	0.900.1990.1	1	gasket
37	0.900.1989.6	1	bearing
38	0.900.0819.7	1	ring 45x60x7
39	0.900.0819.8	1	tube
40	0.900.0819.9	1	gasket 10x2
41	0.900.0820.0	4	screw m6x30
42	0.900.0820.1	4	washer 6,4x17x3
43	0.900.0820.2	4	spring 1.6 x 15.4 x 28.7
44	0.900.0820.5	3	screw m 8 x 20
45	0.900.0820.6	3	pin 8x20
46	0.900.1990.2	1	hydraulic PTO clutch
47	0.900.0814.6	1	ring
48	0.900.0814.7	2	ring

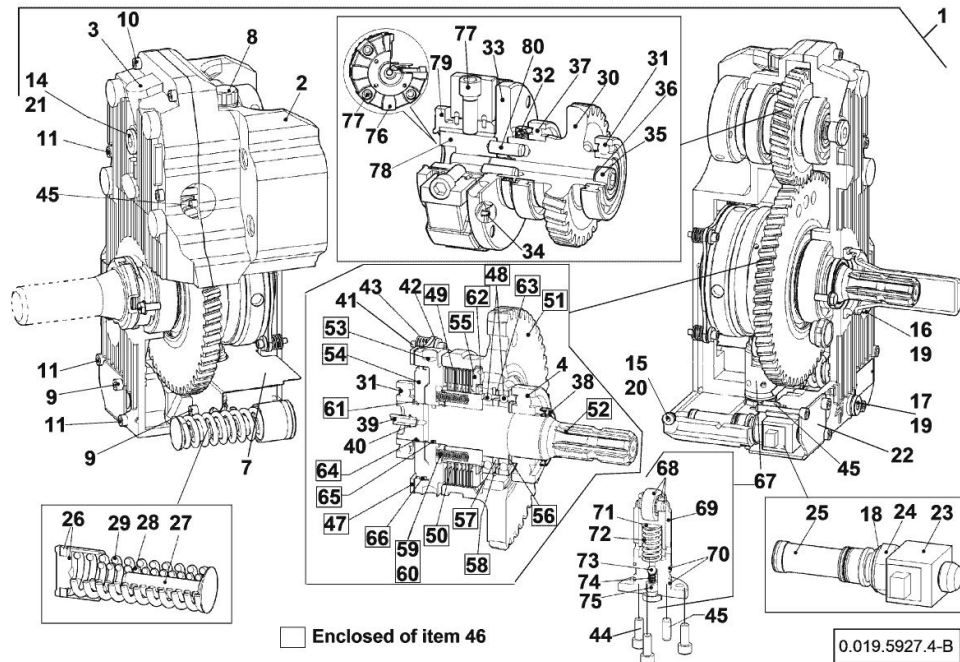
P.T.O. FRONT

Fig.	P/n	QTY	Name
49	0.900.0814.8	8	plug m 18 x 1,5
50	0.900.0814.9	7	ring
51	0.900.1990.3	1	crown wheel
52	0.900.0815.1	1	shaft
53	0.900.0815.7	1	piston
54	0.900.0815.8	1	cylinder
55	0.900.0816.1	1	washer
56	0.900.0816.2	1	washer
57	0.900.0816.3	1	washer
58	0.900.0816.4	1	washer
59	0.900.0816.5	6	spring 1.8x9.1x40.5
60	0.900.0816.6	6	spring 1x5.1x41.3
61	0.900.0816.7	1	ring 40 x 1.75
62	0.900.0816.8	1	ring 80 x 2.5
63	0.900.0816.9	1	ring 90x3
64	0.900.0817.0	1	ring 35x2
65	0.900.0817.5	1	gasket
66	0.900.0817.6	1	gasket
67	0.900.1990.4	1	small piston
68	0.900.0838.7	1	piston
69	0.900.0817.9	1	screw M16 x 90 - 8.8
70	0.900.0818.3	2	joint 32x2.5
71	0.900.0818.9	1	piston
72	0.900.0819.0	1	spring 2.6x15.9x41
73	0.900.0819.1	1	ball Ø 8
74	0.900.0819.2	1	spring 0.63x6.3x17
75	0.900.0819.3	1	screw
76	0.010.3044.1	1	flex coupling
77	0.010.3045.0	8	screw m14 x 40
78	0.900.2041.9	1	pin
79	0.900.2042.0	1	flange
80	0.900.1989.9	3	cylindrical plug 12x36

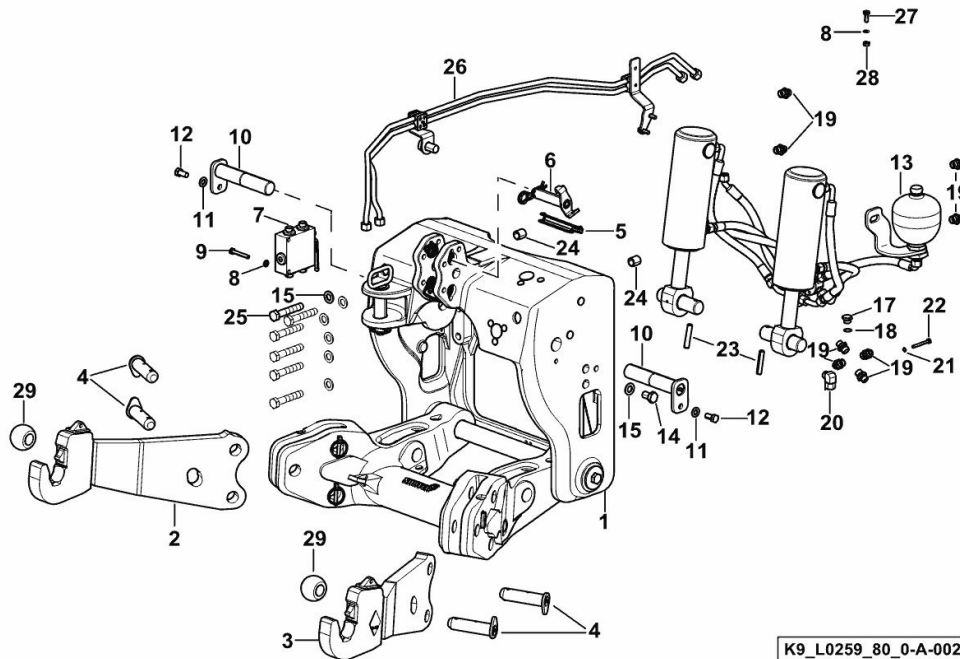
FRONT HYDRAULIC POWER-LIFT

Fig.	P/n	QTY	Name
Notes:			
[7210 TTV Agrottron ->WSXW830200LD50010]			
1	0.020.5813.4	1	body ☞ 0.020.5813.4
2	0.020.5946.0	1	right hand arm
3	0.020.5945.0	1	left hand arm
4	0.020.5947.0	4	pin
5	0.020.5950.0	1	pin
6	0.020.5952.0	1	pin
7	0.020.5956.0	1	valve
8	2.1310.004.2	3	flat washer 8.4x17
9	2.0112.220.2	2	screw m 8 p.1.25x55
10	0.020.5960.0	2	pin
11	2.1310.007.2	2	flat washer 13 x 24
12	2.0114.409.2	2	screw m 12 x 25
13	0.020.5962.4	1	jack kpl. ☞ 0.020.5962.4
14	2.0114.609.2	1	screw m 16 x 25
15	2.1310.010.2	13	flat washer 17x30
17	2.3110.404.1	1	plug m 16 p.1.5x14
18	2.1560.012.0	1	gasket 16.2 x 22
19	01180559	8	pipe fitting
20	01144832	1	pipe fitting
21	2.1310.002.2	2	flat washer 6.4x12.5
22	2.0114.018.2	2	screw m 6 p.1 x 55
23	2.1630.919.2	2	pin
24	2.1559.556.2	2	bushing 16x22x18
25	2.0113.627.2	12	screw m 16 p.2x90
26	0.020.5981.4	1	tube kpl. ☞ 0.020.5981.4
27	2.0112.208.2	1	screw m 8 p.1.25 x 22
28	2.1011.105.2	1	nut m 8 p.1.25
29	0.760.4552.0	2	cap cat. 2 - Ø mm 64 - mm 28.4

Buy Now



Our support email:

ebooklibonline@outlook.com